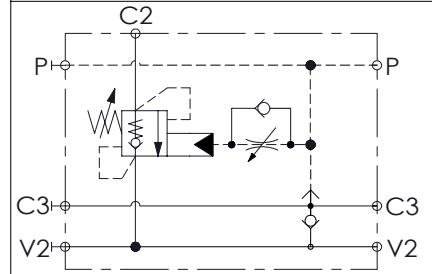
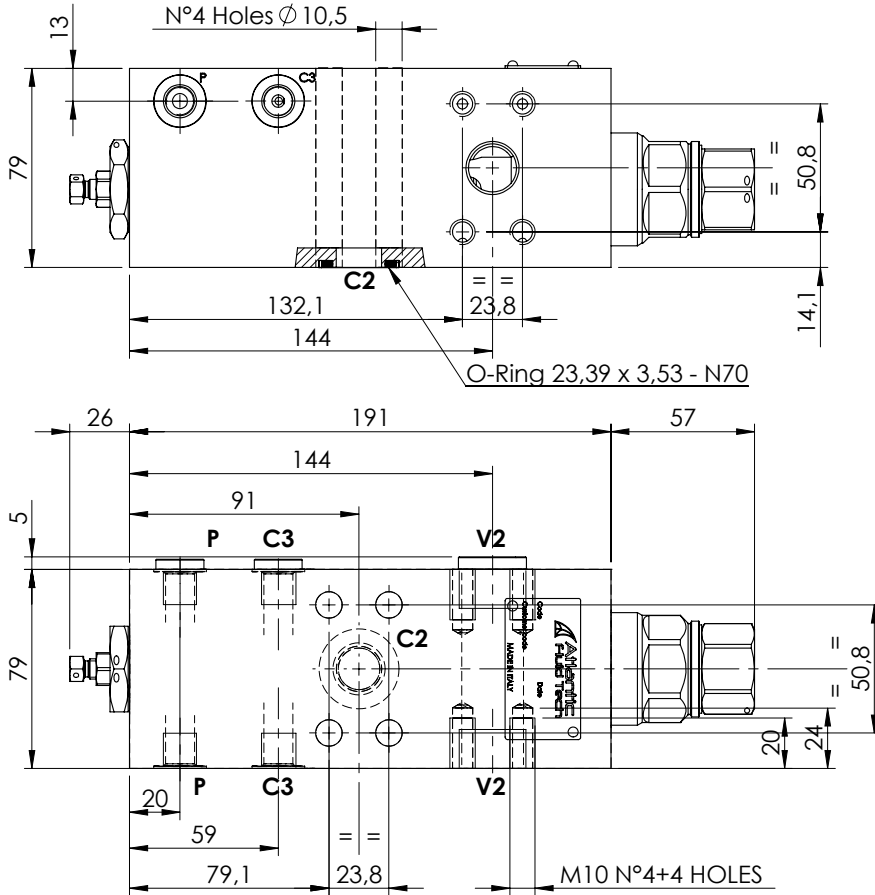
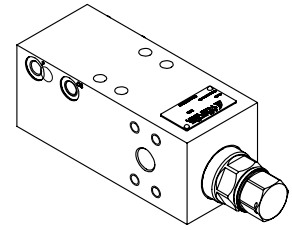


**VALVES FOR WINCHES**

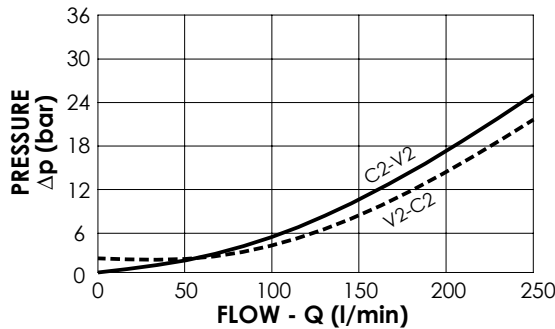
**MBSN-250-AMSF**

**SINGLE ACTING  
WITH BRAKE RELEASE**



**SPECIFICATIONS**

Max. operating pressure:	500 bar
Rated flow:	250 l/min
Manifold:	Steel
Weight:	8,1 kg



**NOTES**

Setting: at least 1.3 times the load induced pressure

**ORDERING CODES**

Quick code	Description	Pilot ratio	Main ports size	Standard setting (bar, Q=5 l/min)	Adjust. range (bar)	Pressure increase (bar/turn)
MB000663	MBSN-250-AMSF-13-S34-N500	13:1	C2,V2 : 3/4" SAE 6000 P,C3 : G 1/4"	500	250-500	104