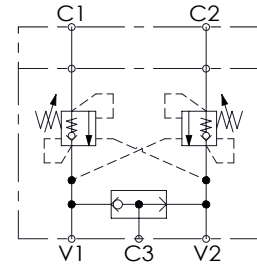
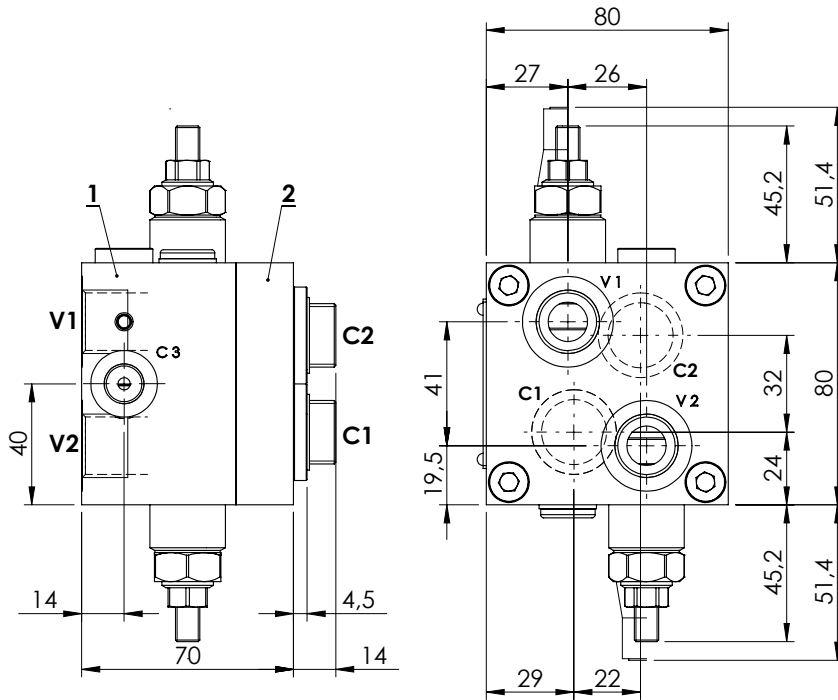
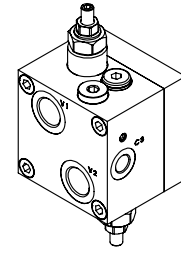


VALVES FOR MOTORS

MBDN-060-LMSF

OVERCENTRE WITH BRAKE RELEASE



SPECIFICATIONS

Max. operating pressure:	250 bar
Rated flow:	60 l/min
Manifold:	Anodized Aluminium
Weight:	2,07 kg

SEALING CAP

Ordering code:
AT000020

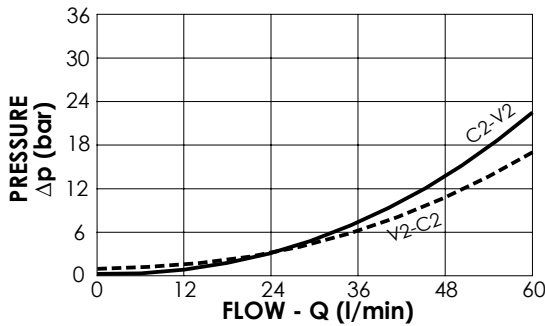


NOTES

Setting: at least 1.3 times the load induced pressure

Designed for OMS motors

Valve composed by:
1.MB000520
2.MP000012



ORDERING CODES

Quick code	Description	Pilot ratio	Main ports size	Standard setting (bar, Q=5 l/min)	Adjust. range (bar)	Pressure increase (bar/turn)
MB000036	MBDN-060-LMSF-04-G12-N200-NOMS	4,2:1	V1,V2: G 1/2" C1,C2: OMS flange C3: G 1/4"	200	60-210	62