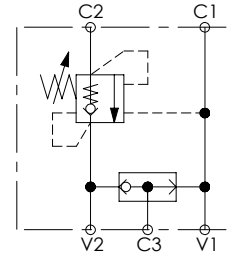
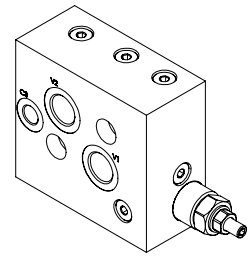
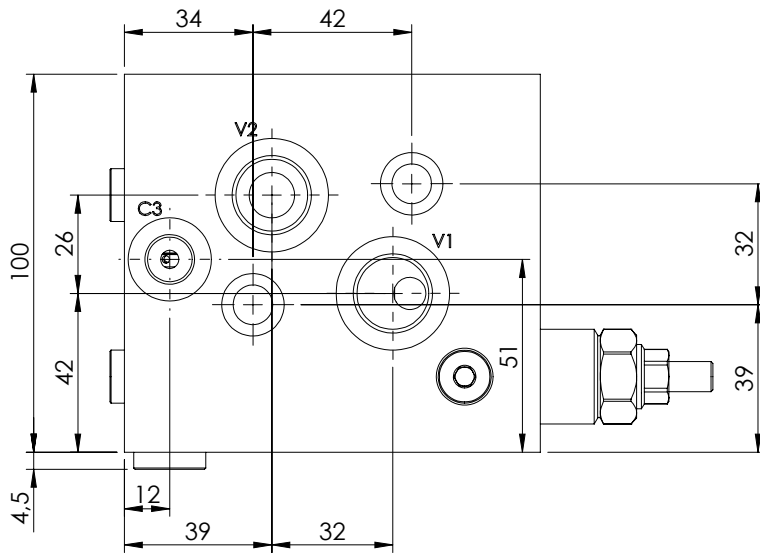


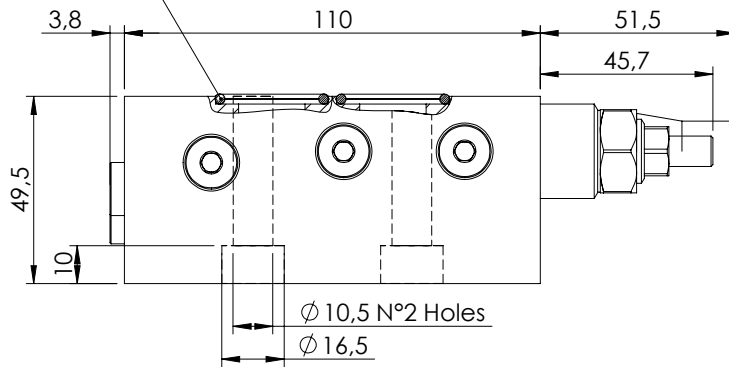
VALVES FOR MOTORS

**MBSN-060-ZMSF**

**OVERCENTRE  
WITH BRAKE RELEASE**



O-Ring 25,07x2,62-N70

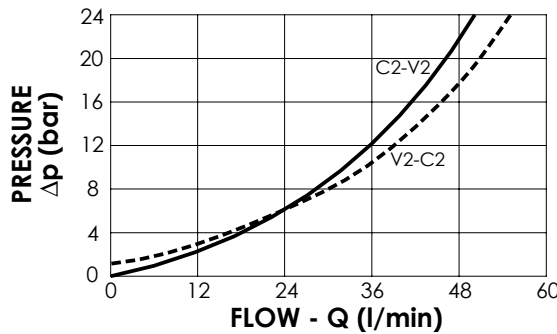
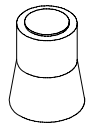


**SPECIFICATIONS**

Max. operating pressure:	350 bar
Rated flow:	60 l/min
Manifold:	Aluminium
Weight:	1,5 kg

**SEALING CAP**

Ordering code:  
**AT000020**



**NOTES**

Setting: at least 1.3 times the load induced pressure

Designed for DANFOSS motors OMS series

**ORDERING CODES**

Quick code	Description	Pilot ratio	Main ports size	Standard setting (bar, Q=5 l/min)	Adjust. range (bar)	Pressure increase (bar/turn)
MB001036	MBSN-060-ZMSF-04-G12-N350-NOMS	4,2:1	V1,V2: G1/2" C1,C2: OMS flange C3: G 1/4"	350	100-350	139
MB001058	MBSN-060-ZMSF-04-G12-N200-NOMS	4,2:1	V1,V2: G1/2" C1,C2: OMS flange C3: G 1/4"	200	60-210	62