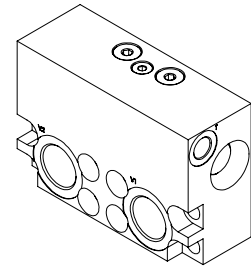


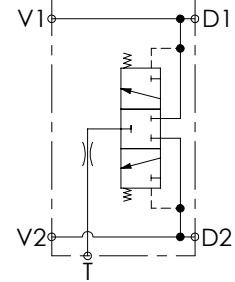
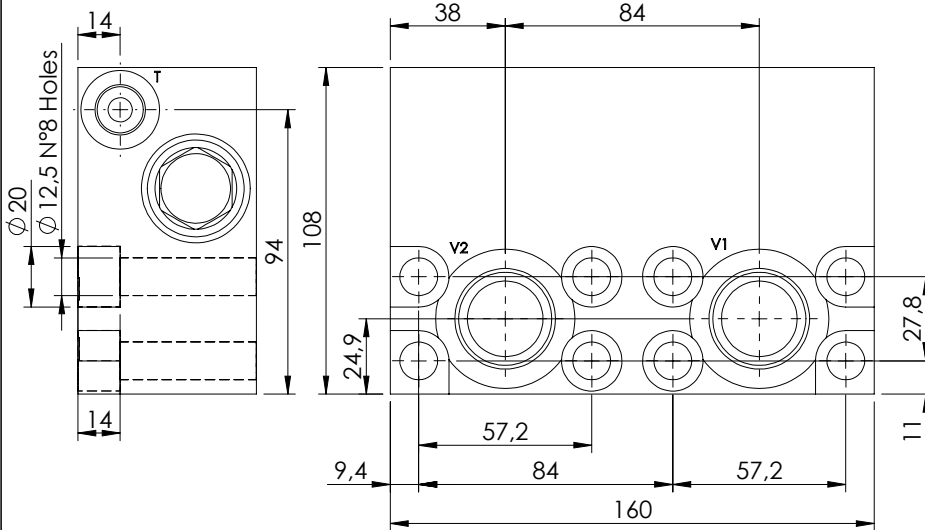
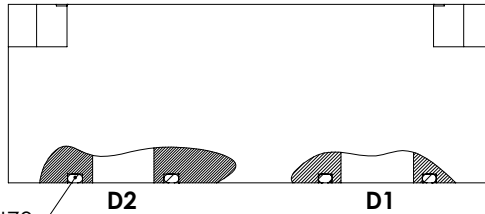
VALVES FOR MOTORS

MFLN-500-RFSR

**FLUSHING VALVE
FLANGEABLE TYPE**

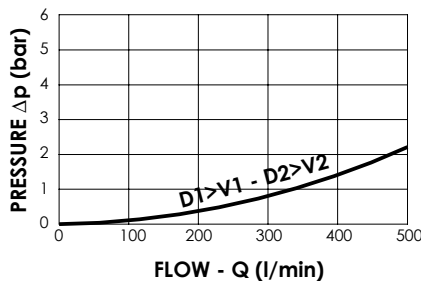
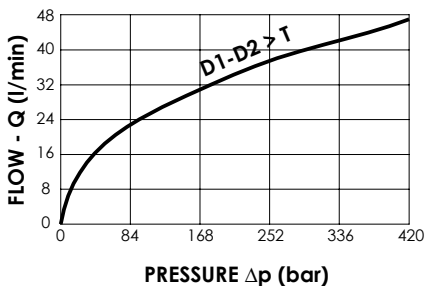


O-Ring 24,99x3,53 - N70



SPECIFICATIONS

Max. operating pressure:	420 bar
Rated flow:	500 l/min
Manifold:	Steel
Weight:	3,38 kg



ORDERING CODES

Quick code	Description	Main ports size	Spool setting (bar)	A Orifice Ø	
MFO00109	MFLN-500-RFSR-13-S10-N420	V1,V2: G1" D1,D2: 1" SAE 6000 T: G3/8"	6	2,1	