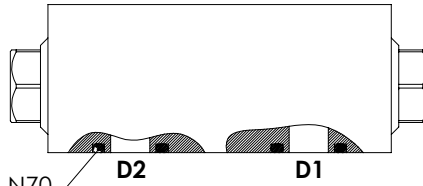


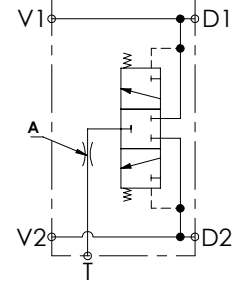
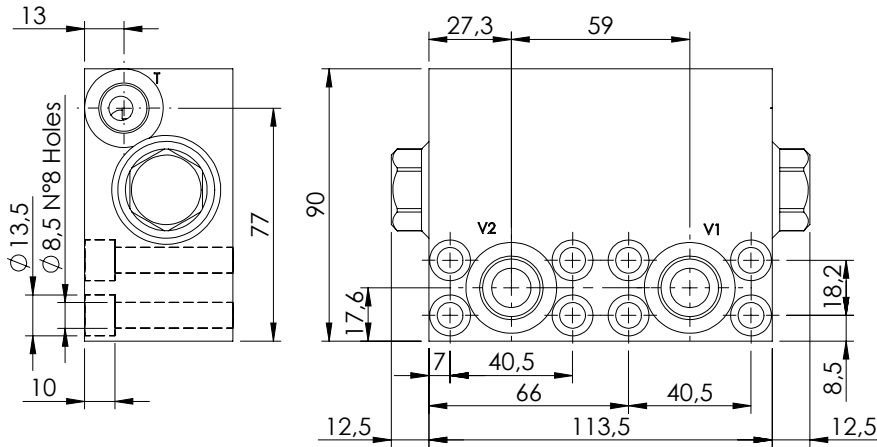
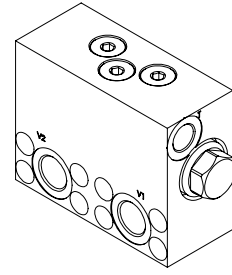
VALVES FOR MOTORS

MFLN-150-RFSR

**FLUSHING VALVE
FLANGEABLE TYPE**

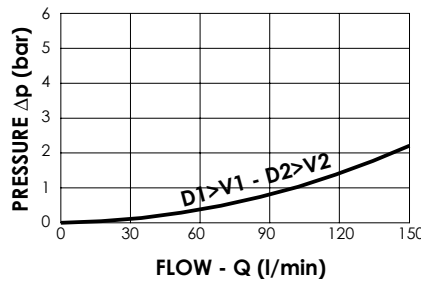
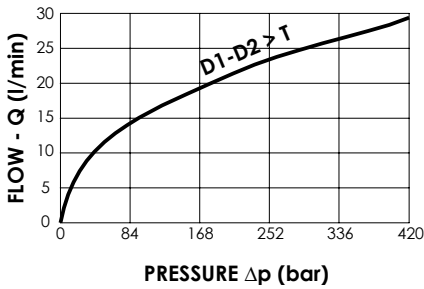


O-Ring 18,64x3,53 - N70



SPECIFICATIONS

Max. operating pressure:	420 bar
Rated flow:	150 l/min
Manifold:	Steel
Weight:	3,38 kg



ORDERING CODES

Quick code	Description	Main ports size	Spool setting (bar)	A Orifice Ø	
MFO00111	MFLN-150-RFSR-08-S12-N420	V1,V2:G1/2" D1,D2:1/2"SAE 6000 T: G3/8"	6	1,7	