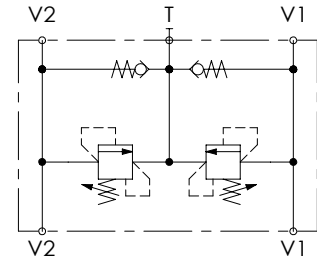
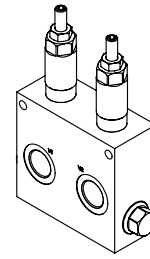
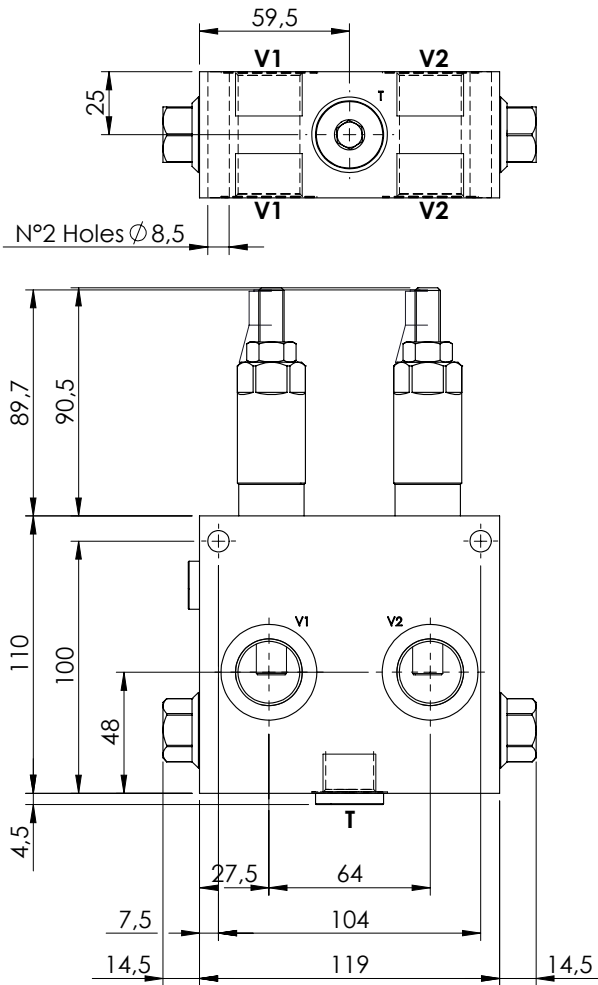


VALVES FOR MOTORS OR HYDRAULIC ACTUATORS

**MADN-080-LLNR**

DUAL CROSS OVER  
ANTICAVITATION RELIEF

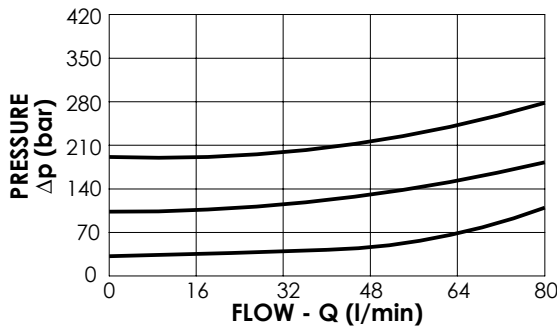
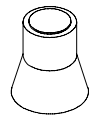


**SPECIFICATIONS**

Max. operating pressure:	250 bar
Rated flow:	80 l/min
Manifold:	Aluminium
Weight:	2,28 kg

**SEALING CAP**

Ordering code:  
AT000021



**NOTES**

Setting: at least 1.3 times the load induced pressure

**ORDERING CODES**

Quick code	Description	Main ports size	Standard setting (bar, Q=5 l/min)	Adjust. range (bar)	Pressure increase (bar/turn)
MA000018	MADN-080-LLNR-HN-G34-N200	V1,V2: G3/4" T: G1/2"	200	60-210	24
MA000023	MADN-080-LLNR-HN-G34-N100	V1,V2: G3/4" T: G1/2"	100	25-100	13
MA000024	MADN-080-LLNR-HN-G34-N050	V1,V2: G3/4" T: G1/2"	50	5-50	9