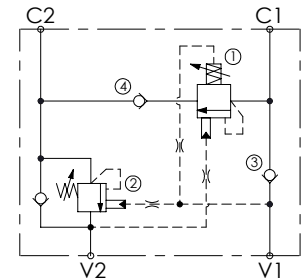
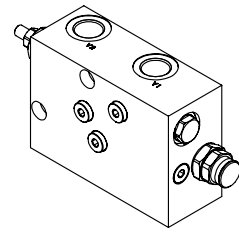
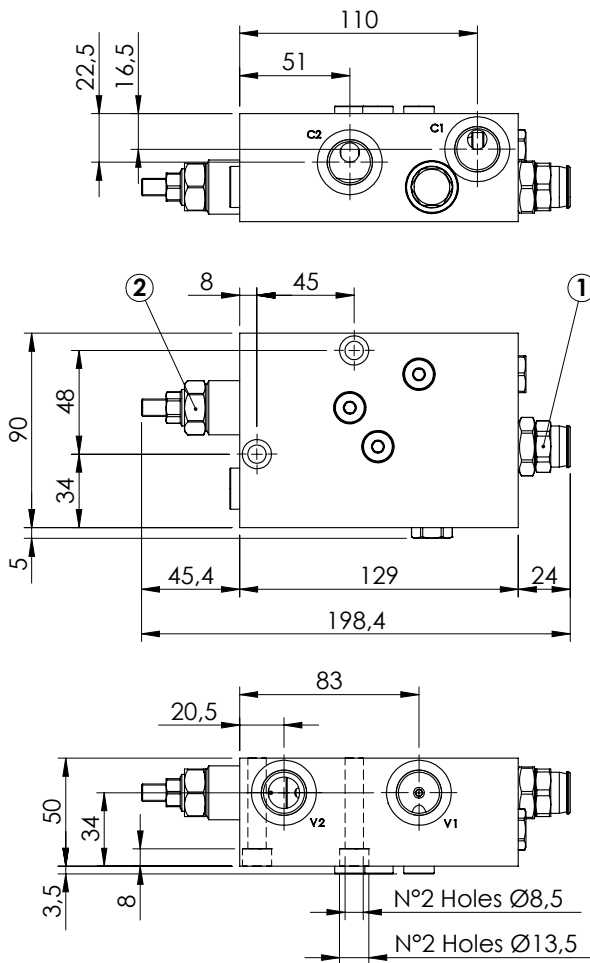


REGENERATIVE VALVE

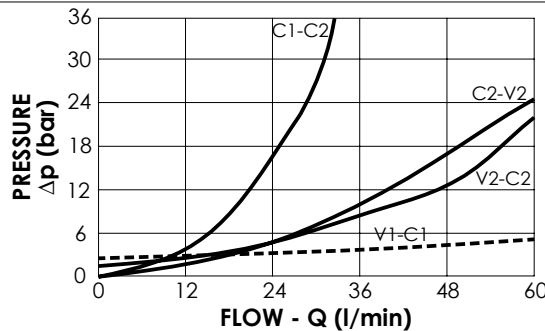
MRSN-060-ZLNP

REGENERATIVE



SPECIFICATIONS

Max. operating pressure:	350 bar
Rated flow:	60 l/min
Manifold:	Aluminium
Weight:	1,71 kg



NOTES

Setting: at least 1.3 times the load induced pressure

ORDERING CODES

Quick code	Description	Pilot ratio	Main ports size	Standard setting (bar, Q=5 l/min)	Adjust. range (bar)	Pressure increase (bar/turn)
MB000150	MRSN-060-ZLNP-04-G12-N350	4,2:1	V1,V2,C1,C2 : G 1/2"	170	60-210	62