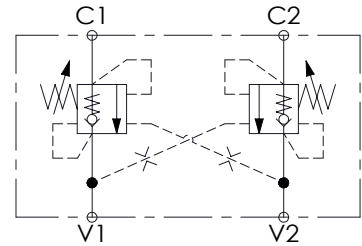
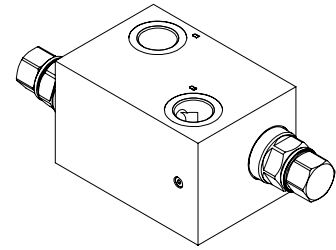
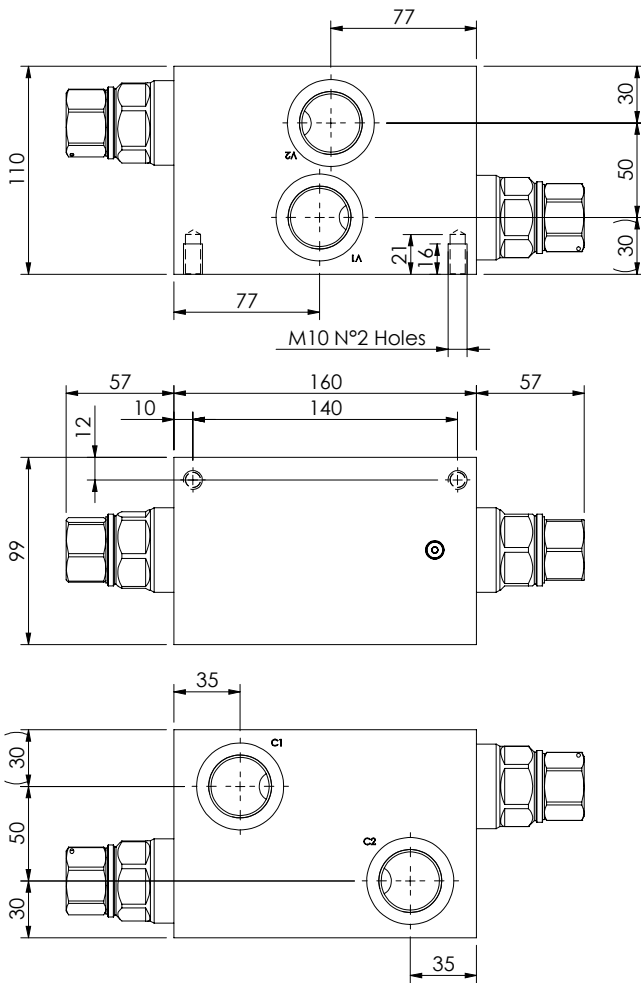


OVERCENTRE VALVE

MBDN-300-ZLNR

DOUBLE ACTING

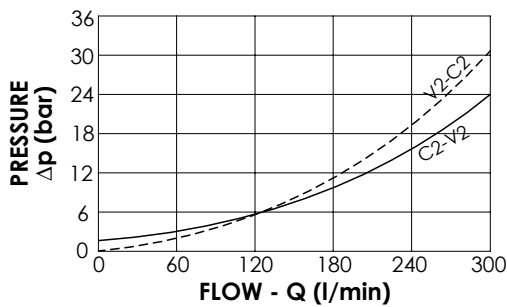


SPECIFICATIONS

Max. operating pressure:	350 bar
Rated flow:	300 l/min
Manifold:	Aluminium
Weight:	5,4 kg

NOTES

Setting: at least 1.3 times the load induced pressure



ORDERING CODES

Quick code	Description	Pilot ratio	Main ports size	Standard setting (bar, Q=5 l/min)	Adjust. range (bar)	Pressure increase (bar/turn)
MB000638	MBDN-300-ZLNR-04-G10-N350	4:1	V1,V2,C1,C2: G 1"	350	100 - 350	75