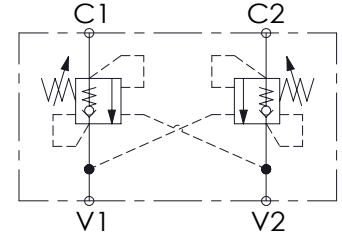
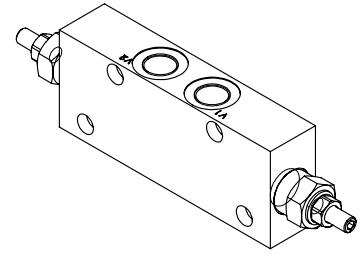
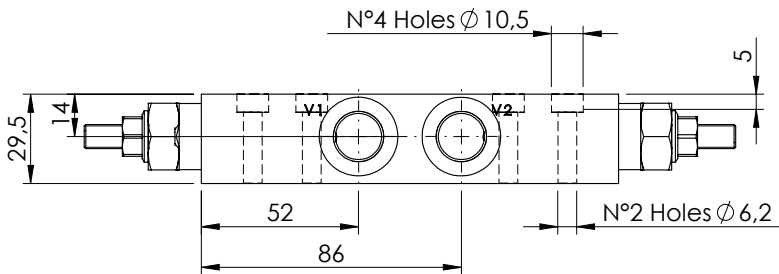
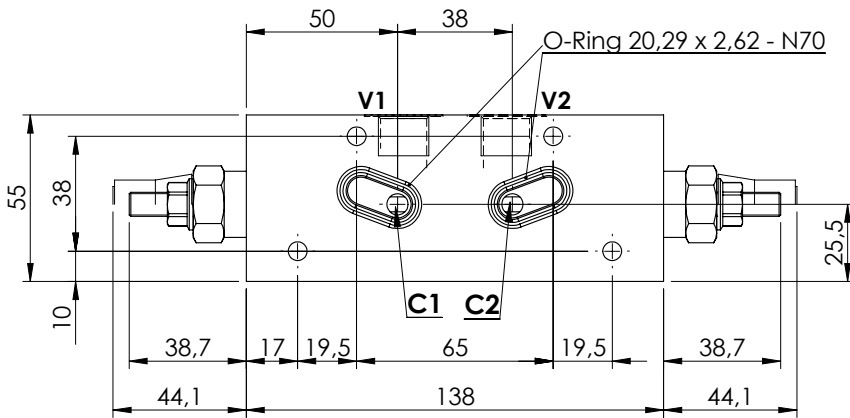


OVERCENTRE VALVE

MBDN-040-LBNN

DOUBLE ACTING
TWO FLANGED PORTS

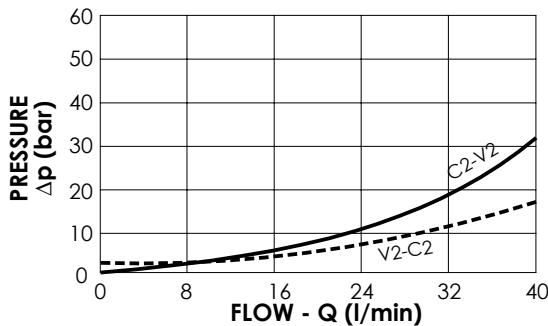
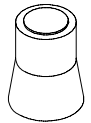


SPECIFICATIONS

Max. operating pressure:	350 bar
Rated flow:	40 l/min
Manifold:	Aluminium
Weight:	0,72 kg

SEALING CAP

Ordering code:
AT000020



NOTES

Setting: at least 1.3 times the load induced pressure

ORDERING CODES

Quick code	Description	Pilot ratio	Main ports size	Standard setting (bar, Q=5 l/min)	Adjust. range (bar)	Pressure increase (bar/turn)
MB000410	MBDN-040-ZBNN-04-G38-N350	4,1:1	V1,V2: G3/8" C1,C2: Ø 7	350	100-350	184
MB000411	MBDN-040-LBNN-04-G38-N200	4,1:1	V1,V2: G3/8" C1,C2: Ø 7	200	60-210	83
MB000412	MBDN-040-LBNN-07-G38-N350	7,5:1	V1,V2: G3/8" C1,C2: Ø 7	350	100-350	138
MB000413	MBDN-040-LBNN-07-G38-N200	7,5:1	V1,V2: G3/8" C1,C2: Ø 7	200	60-210	80