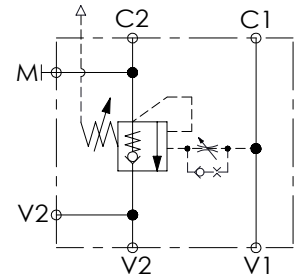
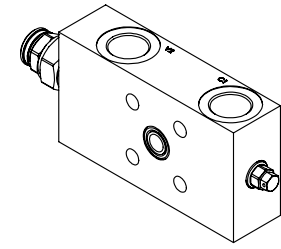
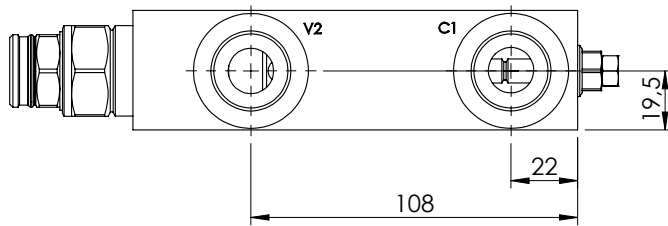
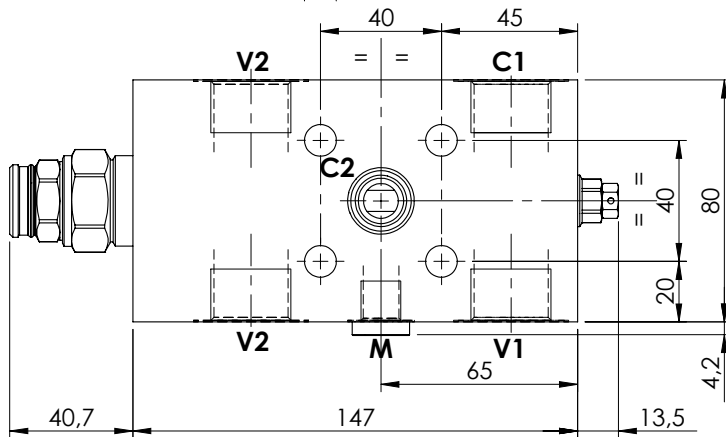
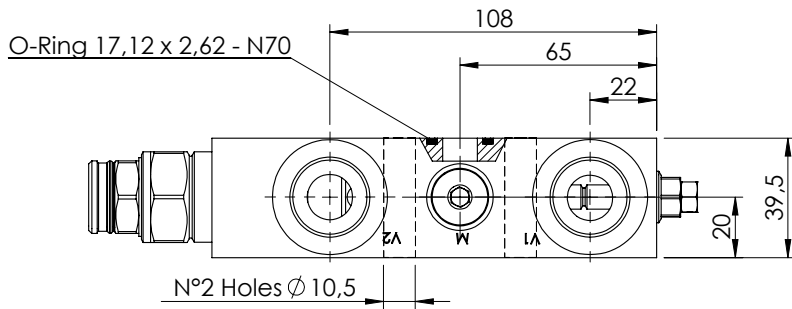


OVERCENTRE VALVE

**MBST-150-AANV**

**SINGLE ACTING  
ONE FLANGED PORT  
FULLY COMPENSATED**

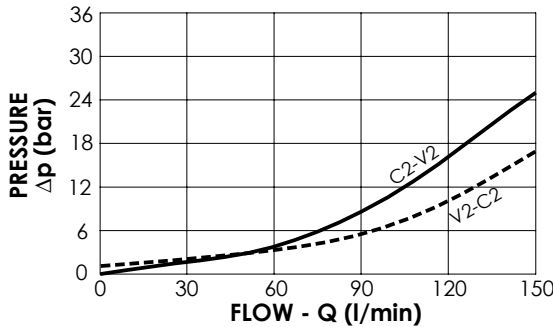


**SPECIFICATIONS**

|                          |           |
|--------------------------|-----------|
| Max. operating pressure: | 350 bar   |
| Rated flow:              | 150 l/min |
| Manifold:                | Steel     |
| Weight:                  | 3,13 kg   |

**SEALING CAP**

Ordering code:  
ST000012



**NOTES**

Setting: at least 1.3 times the load induced pressure

**ORDERING CODES**

| Quick code | Description               | Pilot ratio | Main ports size                      | Standard setting (bar, Q=5 l/min) | Adjust. range (bar) | Pressure increase (bar/turn) |
|------------|---------------------------|-------------|--------------------------------------|-----------------------------------|---------------------|------------------------------|
| MB000267   | MBST-150-AANV-04-G34-N350 | 4:1         | V1, V2, C1: G3/4" M: G1/4" C2: Ø11.5 | 350                               | 100-350             | 104                          |
|            |                           |             |                                      |                                   |                     |                              |
|            |                           |             |                                      |                                   |                     |                              |
|            |                           |             |                                      |                                   |                     |                              |
|            |                           |             |                                      |                                   |                     |                              |