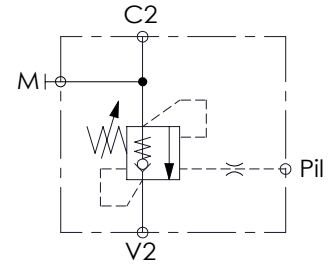
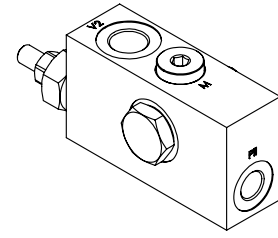
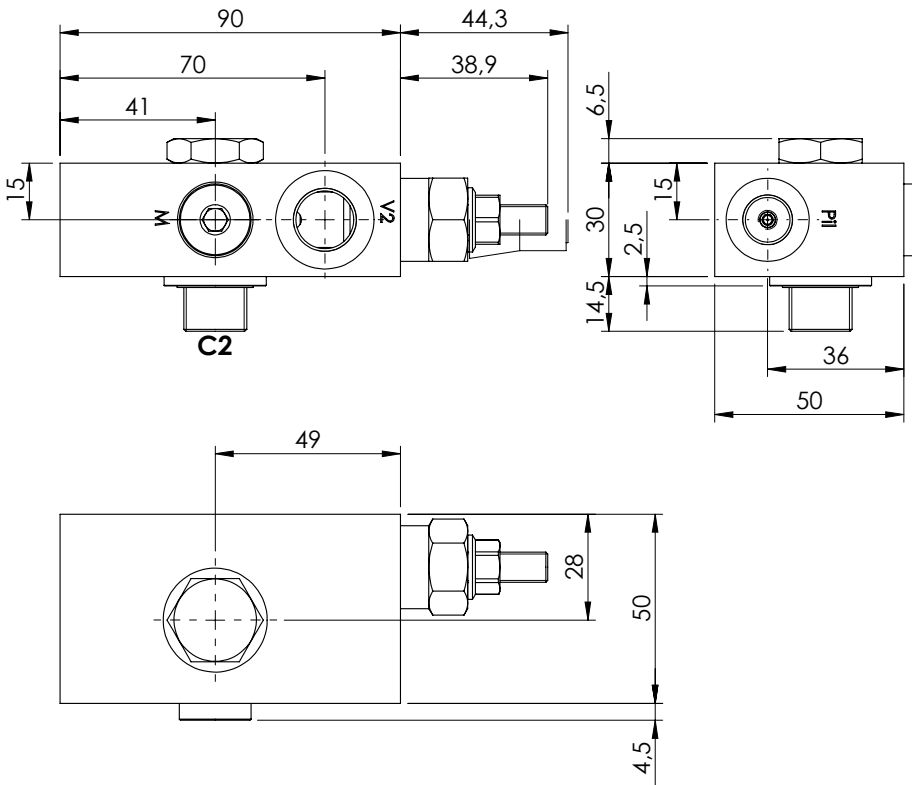


OVERCENTRE VALVE

**MBSN-040-APNR**

SINGLE ACTING  
BANJO MOUNTING

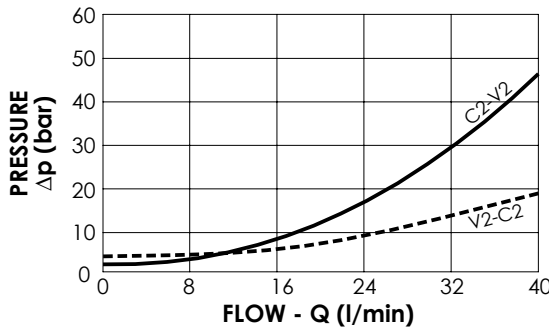
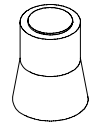


**SPECIFICATIONS**

Max. operating pressure:	350 bar
Rated flow:	40 l/min
Manifold:	Steel
Weight:	1,07 kg

**SEALING CAP**

Ordering code:  
AT000020



**NOTES**

Setting: at least 1.3 times the load induced pressure

**ORDERING CODES**

Quick code	Description	Pilot ratio	Main ports size	Standard setting (bar, Q=5 l/min)	Adjust. range (bar)	Pressure increase (bar/turn)
MB000469	MBSN-040-APNR-04-G38-N350	4,1:1	C2,V2: G3/8" M,Pil: G1/4"	350	100-350	184
MB000578	MBSN-040-APNR-04-G38-N200	4,1:1	C2,V2: G3/8" M,Pil: G1/4"	200	60-210	83
MB000840	MBSN-040-APNR-07-G38-N350	7,5:1	C2,V2: G3/8" M,Pil: G1/4"	350	100-350	138