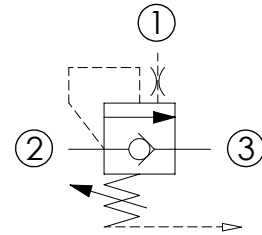
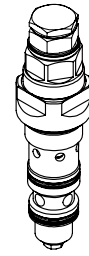
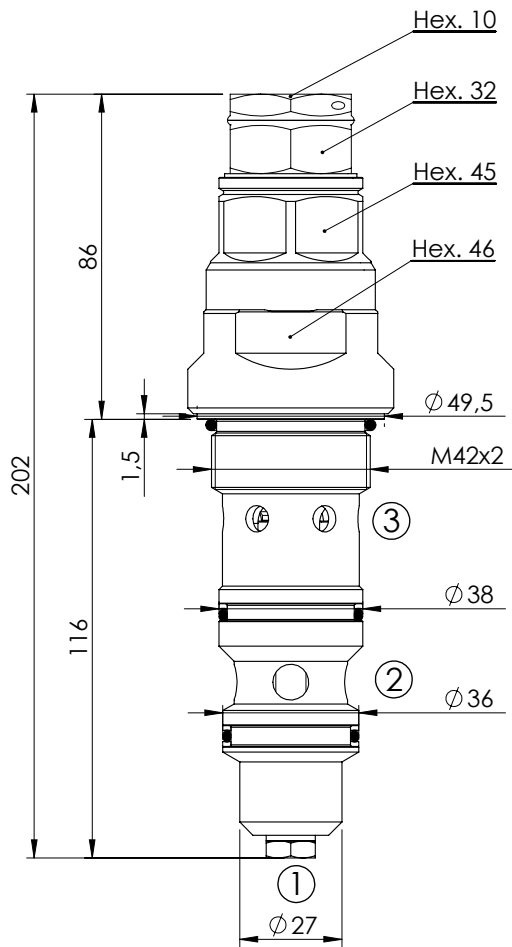


OVERCENTRE VALVE

CBST-300-DCNH

FULLY COMPENSATED

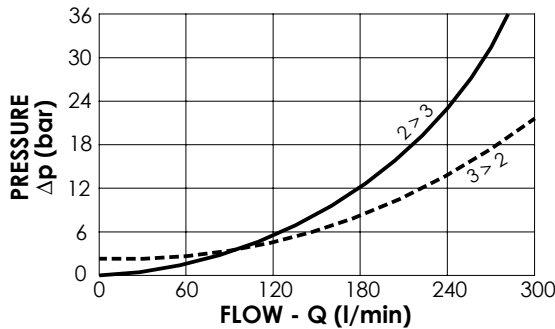


SPECIFICATIONS

Max. operating pressure:	350 bar
Rated flow:	300 l/min
Cavity:	VP000127
Weight:	1,49 kg

SEALING CAP

Ordering code:



NOTES

Setting: at least 1.3 times the load induced pressure

Installation torque: 246 - 272 Nm

ORDERING CODES

Quick code	Description	Pilot ratio	Standard setting (bar, Q=5 l/min)	Adjust. range (bar)	Pressure increase (bar/turn)
CB000017	CBST-300-DCNH-06-127-N350	6:1	350	100-350	62
CB000013	CBST-300-DCNH-04-127-N350	4:1	350	100-350	75