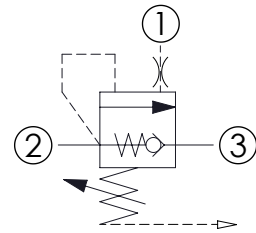
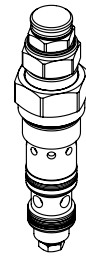
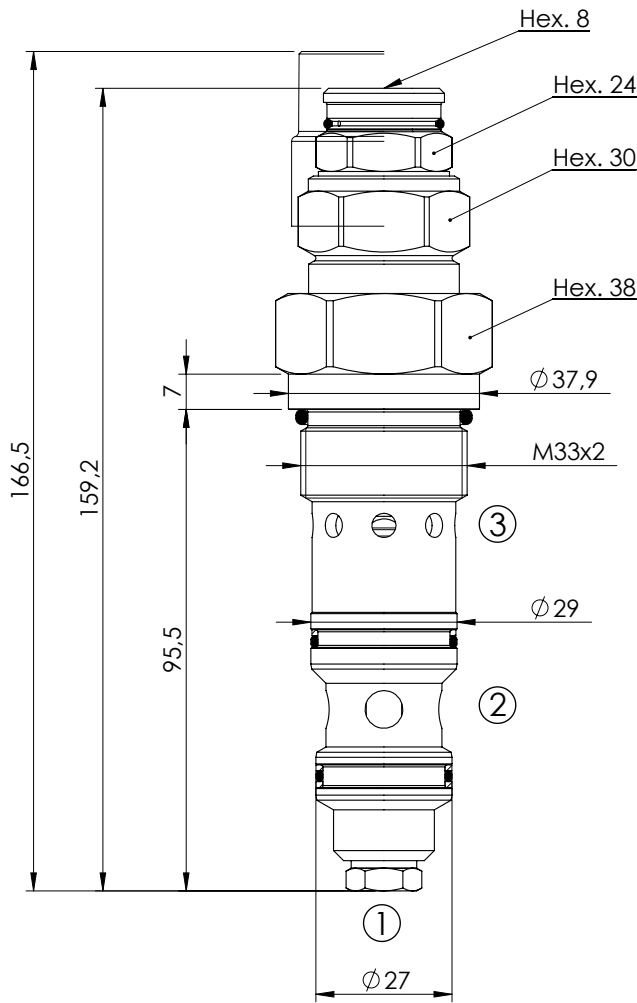


OVERCENTRE VALVE

CBST-150-DCNH

FULLY COMPENSATED

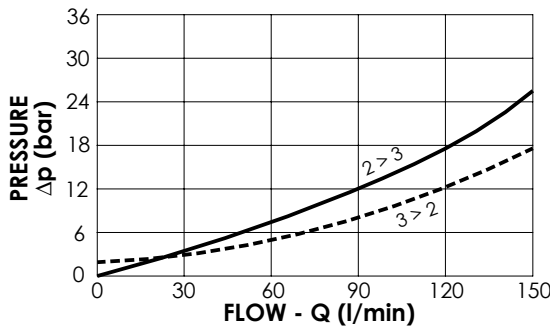
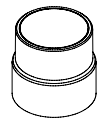


SPECIFICATIONS

Max. operating pressure:	350 bar
Rated flow:	150 l/min
Cavity:	VP000128
Weight:	0,7 kg

SEALING CAP

Ordering code:
ST000012



NOTES

Setting:	at least 1.3 times the load induced pressure
Installation torque:	170 - 200 Nm
Seal kit:	RD900128

ORDERING CODES

Quick code	Description	Pilot ratio	Standard setting (bar, Q=5 l/min)	Adjust. range (bar)	Pressure increase (bar/turn)
CB000014	CBST-150-DCNH-04-128-N350	4:1	350	100-350	103
CB000022	CBST-150-DCNH-08-128-N350	8:1	350	100-350	100