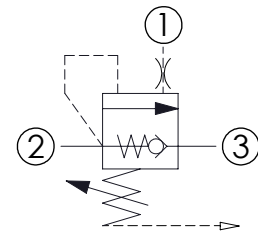
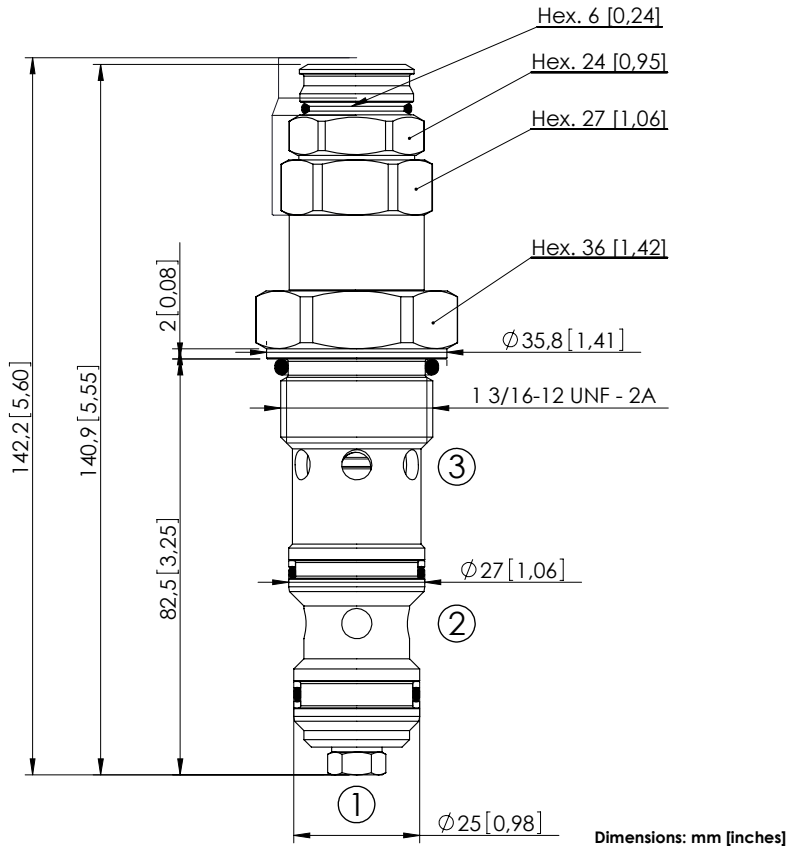


OVERCENTRE VALVE

CBST-100-DCNH

FULLY COMPENSATED



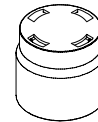
SPECIFICATIONS

Max. operating pressure:	350 bar (5000 psi)
Rated flow:	100 l/min (26 gpm)
Cavity:	VP000120
Weight:	0,51 kg (1,12 lbs)
Installation torque:	150 - 200 Nm (111 - 148 ft-lb)
Seal kit:	RD700120
Contamination class to ISO 4406:	See technical spec.
MTFd:	150 years

NOTES

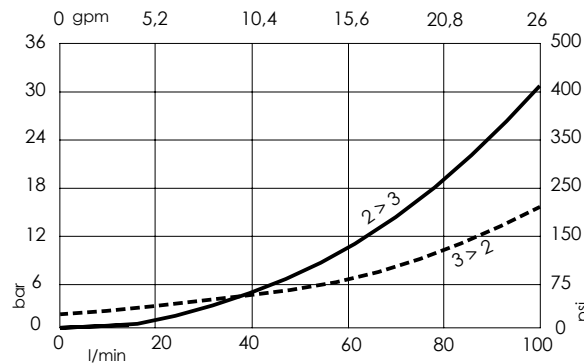
Setting: at least 1.3 times the load induced pressure.

SEALING CAP



Ordering code:
PT000243

CURVES



ORDERING CODES

Quick code	Description	Pilot ratio	Standard setting Q=5 l/min (1,3 gpm)	Adjustment range	Pressure increase
CB000001	CBST-100-DCNH-04-120-N350	3,8:1	350 bar (5000 psi)	100-350 bar (1400-5000 psi)	118 bar/turn (1700 psi/turn)
CB000102	CBST-100-DCNH-08-120-N350	8:1	350 bar (5000 psi)	100-350 bar (1400-5000 psi)	205 bar/turn (3000 psi/turn)