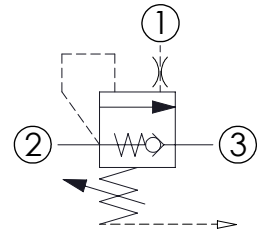
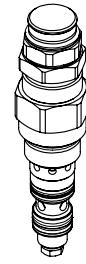
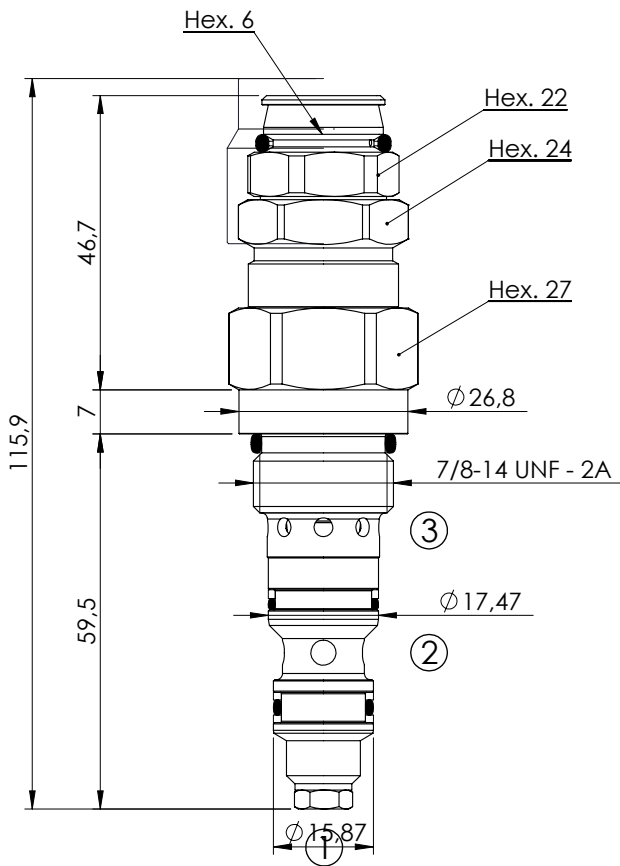


OVERCENTRE VALVE

CBST-040-DCNH

FULLY COMPENSATED

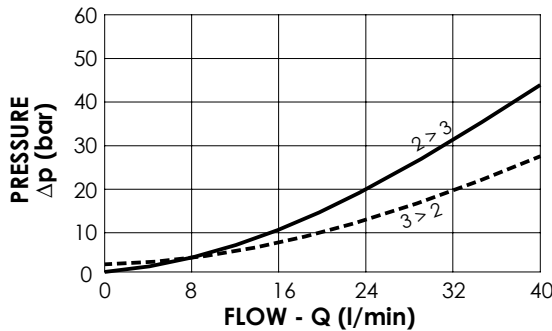
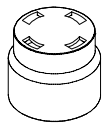


SPECIFICATIONS

Max. operating pressure:	350 bar
Rated flow:	40 l/min
Cavity:	VP000174
Weight:	0,26 kg

SEALING CAP

Ordering code:
PT000258



NOTES

Setting: at least 1.3 times the load induced pressure

Installation torque:

ORDERING CODES

Quick code	Description	Pilot ratio	Standard setting (bar, Q=5 l/min)	Adjust. range (bar)	Pressure increase (bar/turn)
CB000008	CBST-040-DCNH-04-174-N350	4,1:1	350	100-350	144
CB000051	CBST-040-DCNH-04-174-N200	4,1:1	200	60-210	66