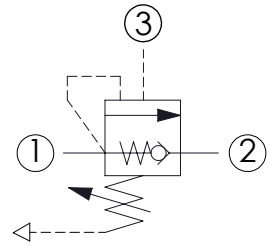
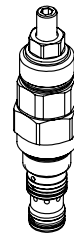
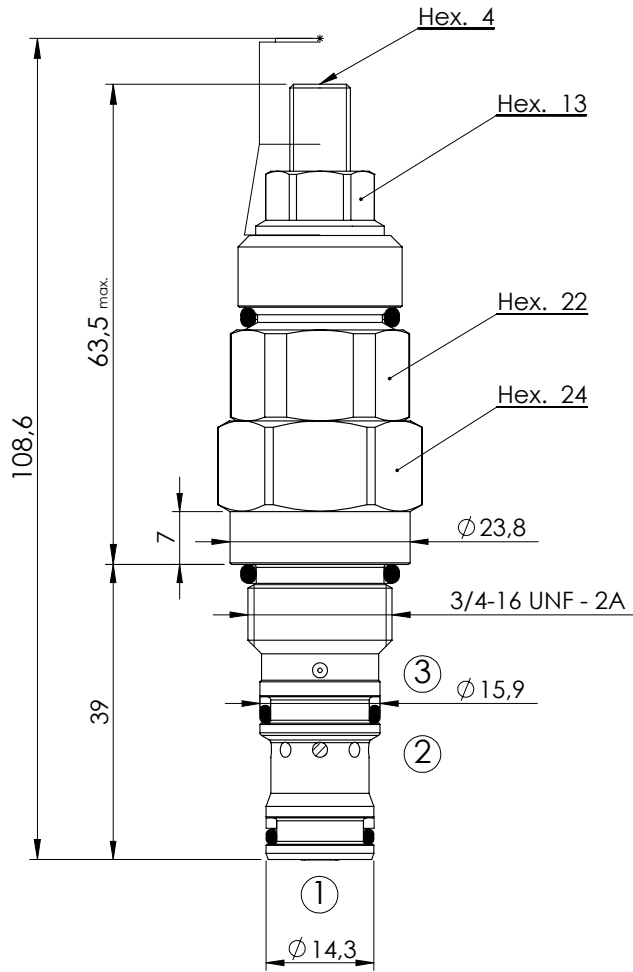


OVERCENTRE VALVE

CBST-030-PARH

POPPET TYPE
FULLY COMPENSATED

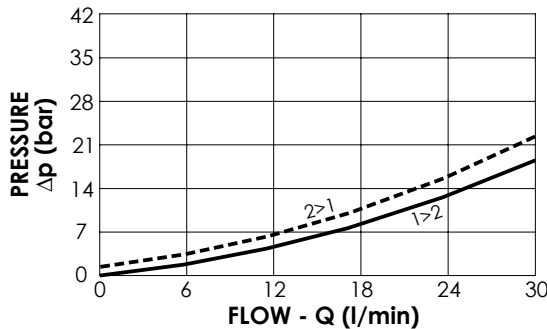
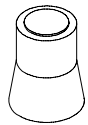


SPECIFICATIONS

Max. operating pressure:	350 bar
Rated flow:	30 l/min
Cavity:	SAE-08-3C
Weight:	0,19 kg

SEALING CAP

Ordering code:
AT000020



NOTES

Setting: at least 1.3 times the load induced pressure

Installation torque:

ORDERING CODES

Quick code	Description	Pilot ratio	Standard setting (bar, Q=5 l/min)	Adjust. range (bar)	Pressure increase (bar/turn)
CB000011	CBST-030-PARH-04-S08-N350	4:1	350	170 - 350	134
CB000070	CBST-030-PARH-04-S08-N200	4:1	200	70-210	95