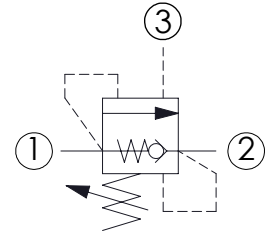
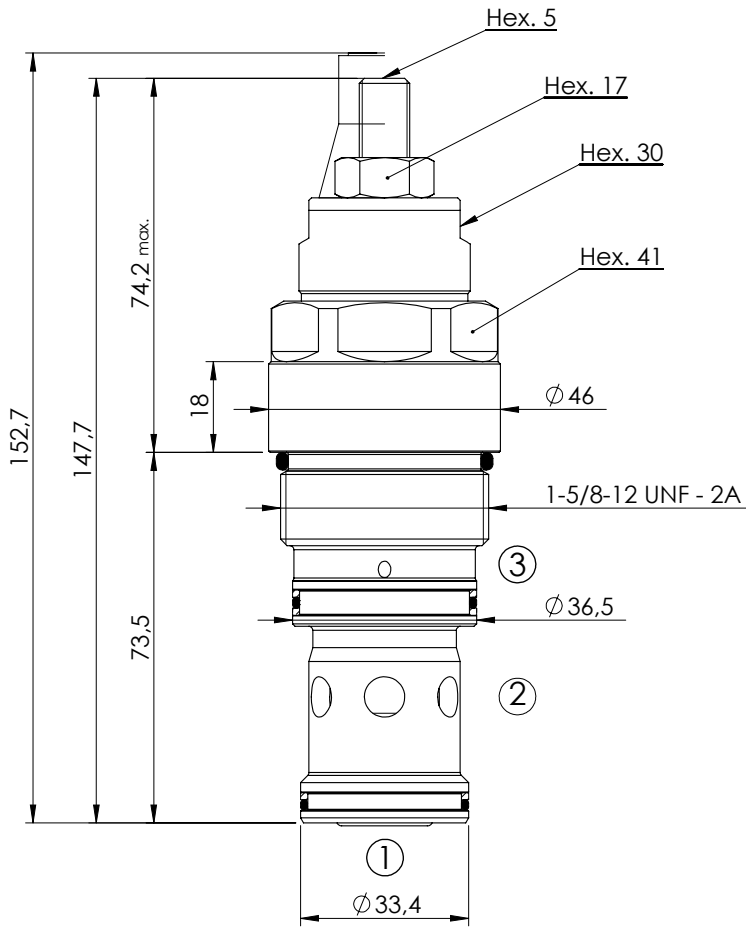


OVERCENTRE VALVE

CBSN-320-DARH

DIFFERENTIAL AREA
POPPET TYPE

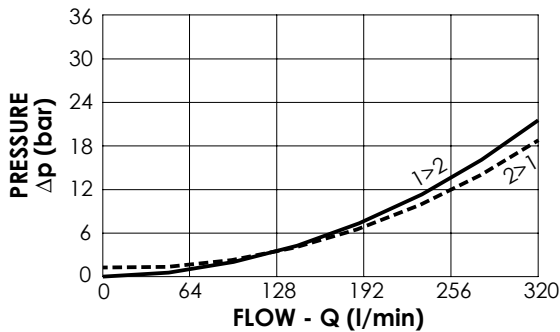
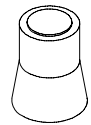


SPECIFICATIONS

| | |
|--------------------------|-----------|
| Max. operating pressure: | 350 bar |
| Rated flow: | 320 l/min |
| Cavity: | SAE-20-3C |
| Weight: | 0,87 kg |

SEALING CAP

Ordering code:
AT000021



NOTES

Setting: at least 1.3 times the load induced pressure

Installation torque:

ORDERING CODES

| Quick code | Description | Pilot ratio | Standard setting (bar, Q=5 l/min) | Adjust. range (bar) | Pressure increase (bar/turn) |
|------------|---------------------------|-------------|-----------------------------------|---------------------|------------------------------|
| CB000025 | CBSN-320-DARH-04-S20-N350 | 4:1 | 350 | 140 - 350 | 120 |
| CB000026 | CBSN-320-DARH-04-S20-N200 | 4:1 | 200 | 70-210 | 47 |
| CB000027 | CBSN-320-DARH-08-S20-N350 | 8:1 | 350 | 140 - 350 | 87 |
| | | | | | |
| | | | | | |
| | | | | | |