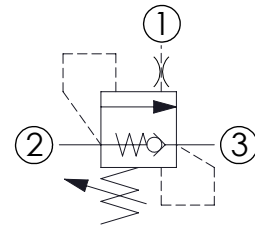
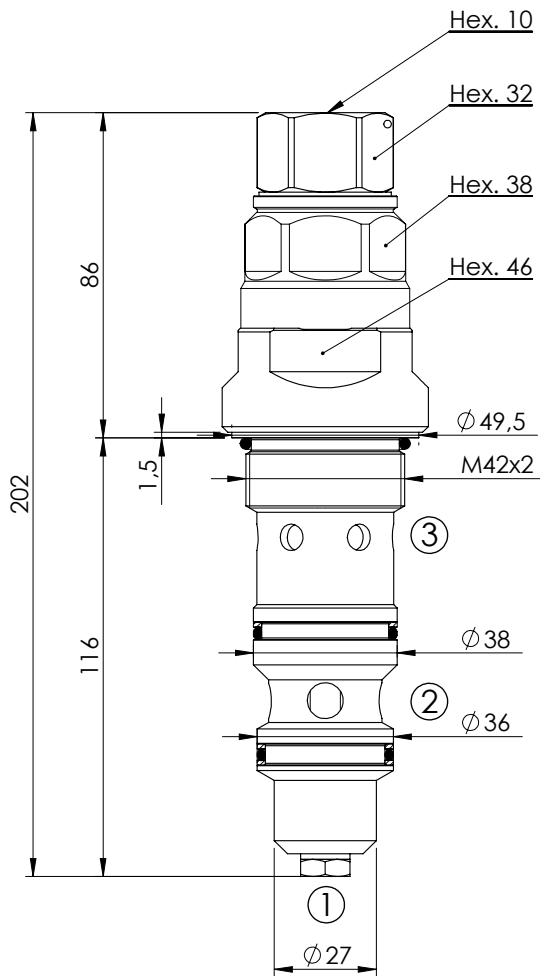


OVERCENTRE VALVE

CBSN-300-DCNH

DIFFERENTIAL AREA

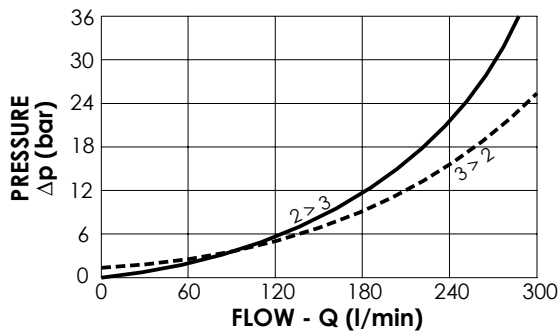


SPECIFICATIONS

Max. operating pressure:	350 bar
Rated flow:	300 l/min
Cavity:	VP000127
Weight:	1,5 kg

NOTES

Setting:	at least 1.3 times the load induced pressure
Installation torque:	246 - 272 Nm
Seal kit:	RD900127



ORDERING CODES

Quick code	Description	Pilot ratio	Standard setting (bar, Q=5 l/min)	Adjust. range (bar)	Pressure increase (bar/turn)
CB000005	CBSN-300-DCNH-04-127-N350	4:1	350	100-350	75