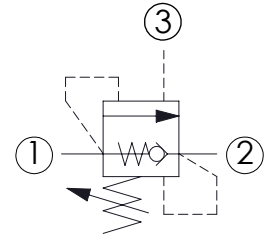
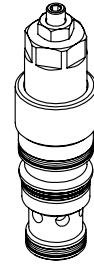
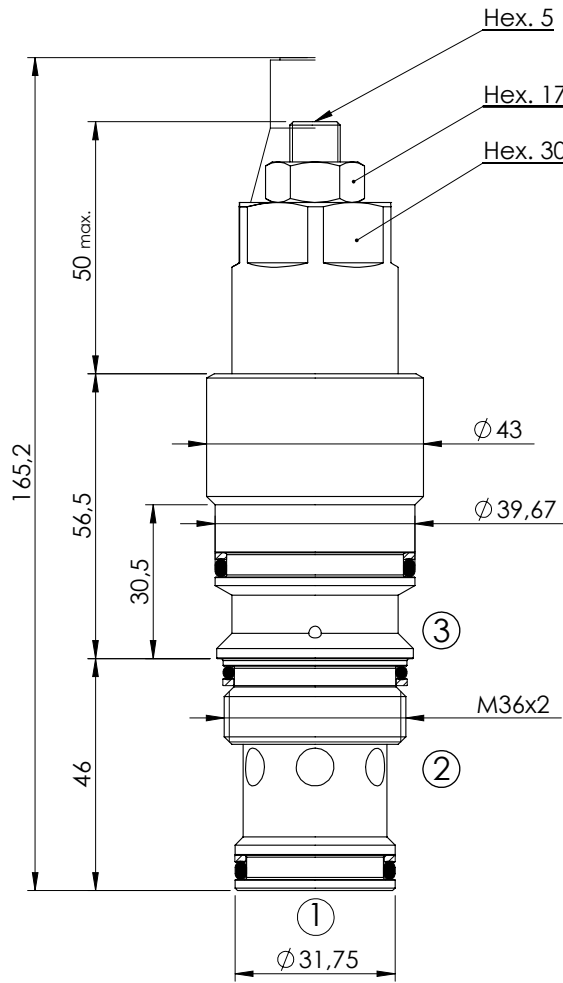


OVERCENTRE VALVE

**CBSN-240-DSGH**

POPPET TYPE  
DIFFERENTIAL AREA

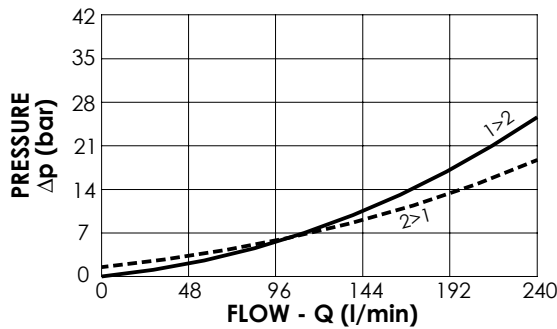
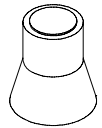


**SPECIFICATIONS**

Max. operating pressure:	350 bar
Rated flow:	240 l/min
Cavity:	VP000166 (SUN T-17A)
Weight:	0,73 kg

**SEALING CAP**

Ordering code:  
AT000022



**NOTES**

Setting: at least 1.3 times the load induced pressure

Installation torque:

**ORDERING CODES**

Quick code	Description	Pilot ratio	Standard setting (bar, Q=5 l/min)	Adjust. range (bar)	Pressure increase (bar/turn)
CB000028	CBSN-240-DSGH-04-166-N350	4:1	350	140-350	114