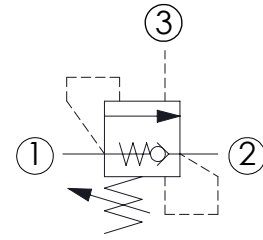
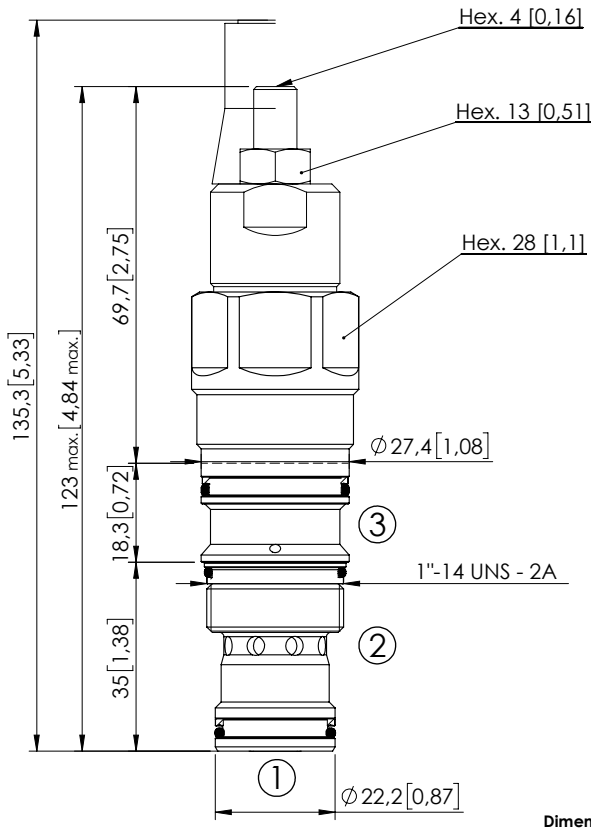


OVERCENTRE VALVE

# CBSN-120-DSRH

POPPET TYPE  
DIFFERENTIAL AREA



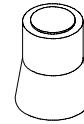
## SPECIFICATIONS

Max. operating pressure:	350 bar (5000 psi)
Rated flow:	120 l/min (32 gpm)
Cavity:	VP000165 (SUN T-2A)
Weight:	0,36 kg (0,79 lbs)
Installation torque:	60 - 65 Nm (44 - 48 ft-lb)
Seal kit:	RC700165
Contamination class to ISO 4406:	See technical spec.
MTF <sub>d</sub> :	150 years

## NOTES

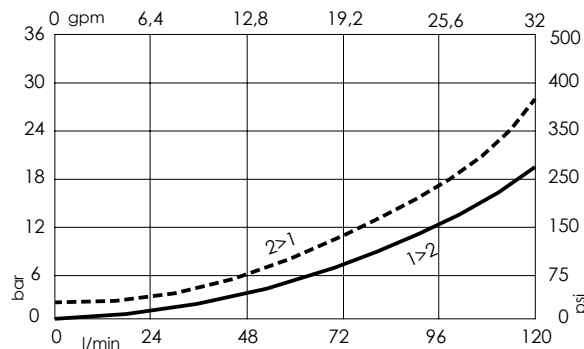
Setting: at least 1.3 times the load induced pressure.  
Turn anticlockwise to increase the setting.

## SEALING CAP



Ordering code:  
AT000020

## CURVES



## ORDERING CODES

Quick code	Description	Pilot ratio	Standard setting Q=5 l/min (1,3 gpm)	Adjustment range	Pressure increase
CB000029	CBSN-120-DSRH-04-165-N350	4:1	350 bar (5000 psi)	140-350 bar (2000-5000 psi)	174 bar/turn (2500 psi/turn)
CB000035	CBSN-120-DSRH-04-165-N200	4:1	200 bar (2900 psi)	70-210 bar (1000-3000 psi)	58 bar/turn (850 psi/turn)
CB000085	CBSN-120-DSRH-08-165-N350	8:1	350 bar (5000 psi)	140-350 bar (2000-5000 psi)	72 bar/turn (1000 psi/turn)
CB000093	CBSN-120-DSRH-08-165-N200	8:1	200 bar (2900 psi)	70-210 bar (1000-3000 psi)	44 bar/turn (650 psi/turn)