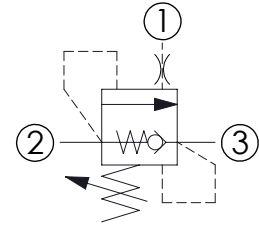
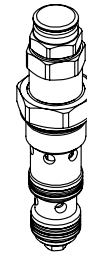
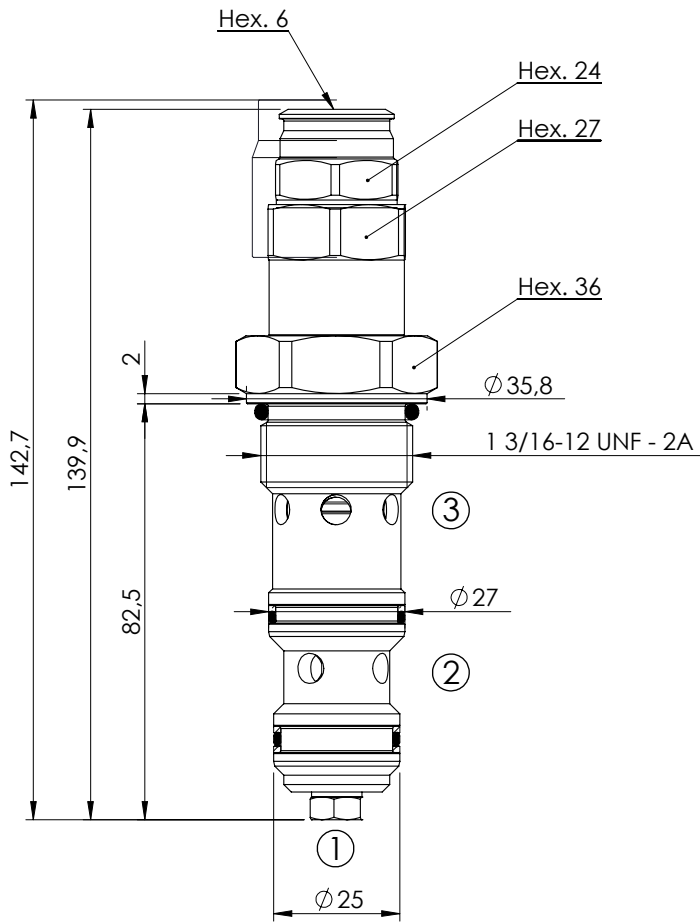


OVERCENTRE VALVE

**CBSN-100-DCNH**

DIFFERENTIAL AREA

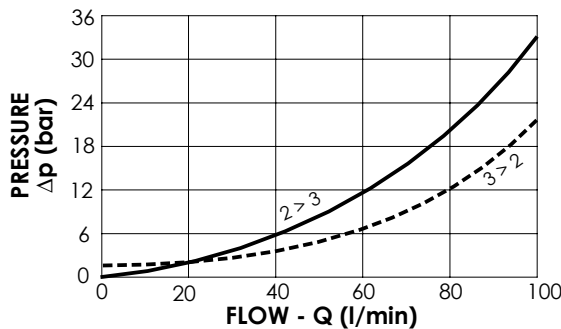
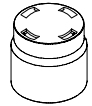


**SPECIFICATIONS**

Max. operating pressure:	350 bar
Rated flow:	100 l/min
Cavity:	VP000120
Weight:	0,52 kg

**SEALING CAP**

Ordering code:  
PT000243



**NOTES**

Setting: at least 1.3 times the load induced pressure

Installation torque:

**ORDERING CODES**

Quick code	Description	Pilot ratio	Standard setting (bar, Q=5 l/min)	Adjust. range (bar)	Pressure increase (bar/turn)
CB000015	CBSN-100-DCNH-04-120-N350	3,8:1	350	100-350	118
CB000113	CBSN-100-DCNH-04-120-N200	3,8:1	200	60-210	68
CB000094	CBSN-100-DCNH-08-120-N350	8:1	350	100-350	132
CB000114	CBSN-100-DCNH-08-120-N200	8:1	200	60-210	58