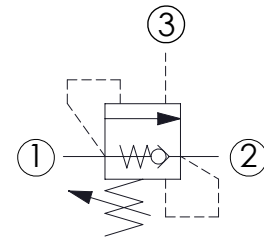
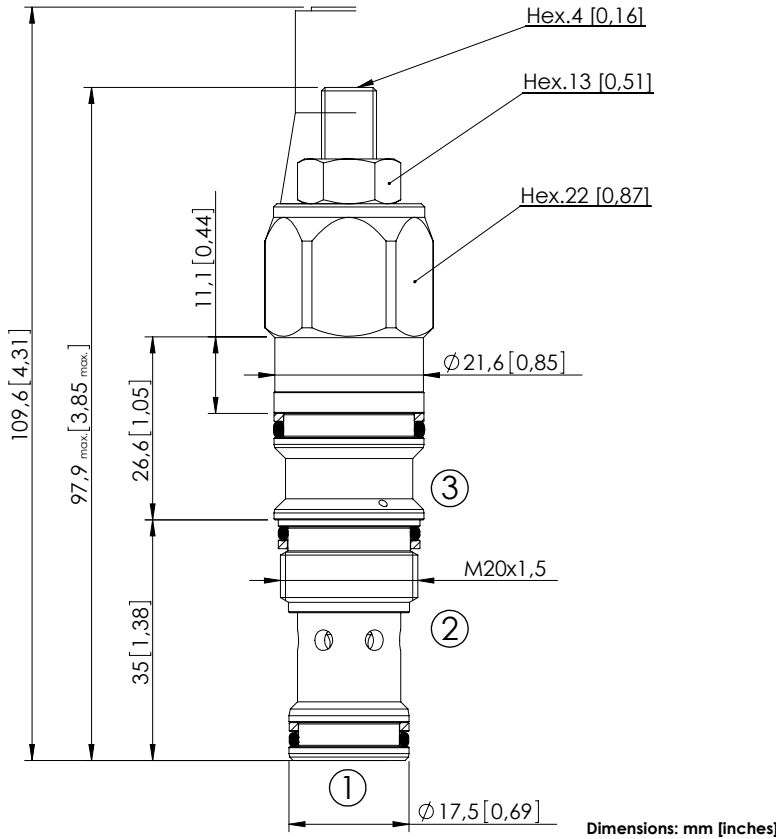


OVERCENTRE VALVE

CBSN-060-DSHR

POPPET TYPE
DIFFERENTIAL AREA



SPECIFICATIONS

| | |
|----------------------------------|----------------------------|
| Max. operating pressure: | 350 bar (5000 psi) |
| Rated flow: | 60 l/min (16 gpm) |
| Cavity: | VP000161 (SUN T-11A) |
| Weight: | 0,18 kg (0,4 lbs) |
| Installation torque: | 40 - 50 Nm (30 - 37 ft-lb) |
| Seal kit: | RC700161 |
| Contamination class to ISO 4406: | See technical spec. |
| MTFd: | 150 years |

NOTES

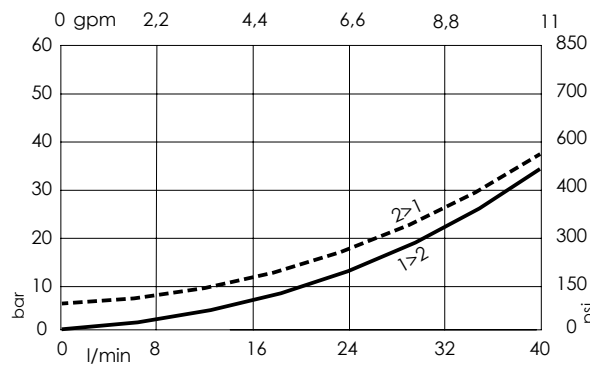
Setting: at least 1.3 times the load induced pressure.
Turn anticlockwise to increase the setting.

SEALING CAP



Ordering code:
AT000020

CURVES



ORDERING CODES

| Quick code | Description | Pilot ratio | Standard setting Q=5 l/min (1,3 gpm) | Adjustment range | Pressure increase |
|------------|---------------------------|-------------|---|-----------------------------|------------------------------|
| CB000024 | CBSN-060-DSRH-03-161-N350 | 3:1 | 350 bar (5000 psi) | 140-350 bar (2000-5000 psi) | 197 bar/turn (2900 psi/turn) |
| CB000034 | CBSN-060-DSRH-03-161-N200 | 3:1 | 200 bar (2900 psi) | 70-210 bar (1000-3000 psi) | 147 bar/turn (2100 psi/turn) |
| CB000072 | CBSN-060-DSRH-08-161-N350 | 8:1 | 350 bar (5000 psi) | 140-350 bar (2000-5000 psi) | 93 bar/turn (1300 psi/turn) |
| CB000073 | CBSN-060-DSRH-08-161-N200 | 8:1 | 200 bar (2900 psi) | 70-210 bar (1000-3000 psi) | 55 bar/turn (800 psi/turn) |