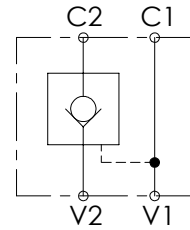
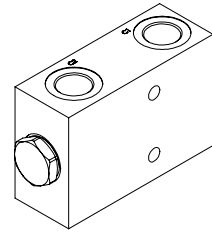
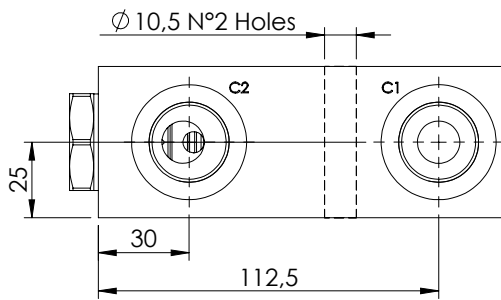
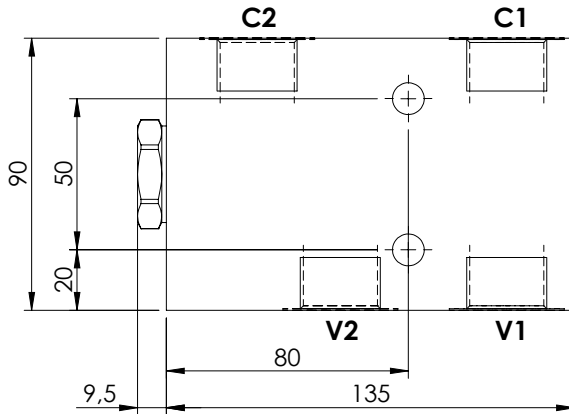
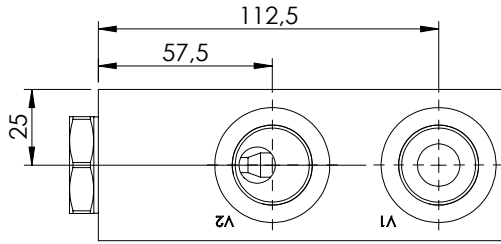


**PILOT OPERATED CHECK VALVE**

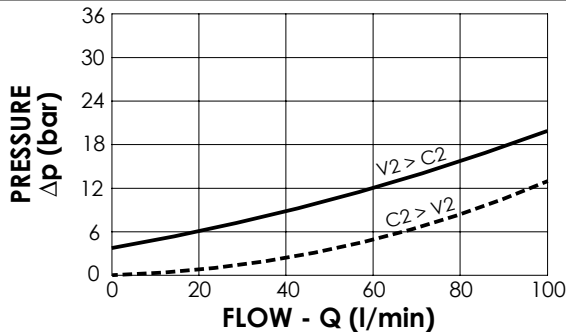
**MCSN-100-TLNS**

**SINGLE ACTING**



**SPECIFICATIONS**

Max. operating pressure:	350 bar
Rated flow:	100 l/min
Manifold:	Aluminium
Weight:	1,5 kg



**ORDERING CODES**

Quick code	Description	Main ports size	Pilot ratio	Cracking pressure (bar)	O-Ring on pilot piston
MC000148	MCSN-100-TLNS-04-G34-N004	V1,V2,C1,C2 : G 3/4"	4:1	4	NO