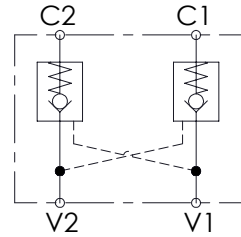
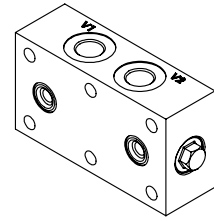
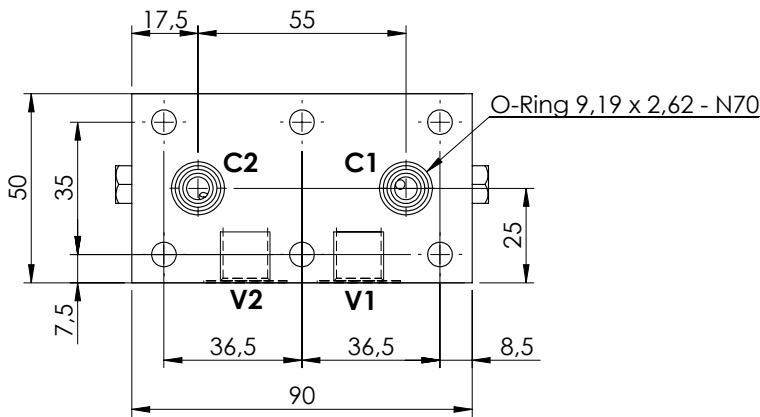
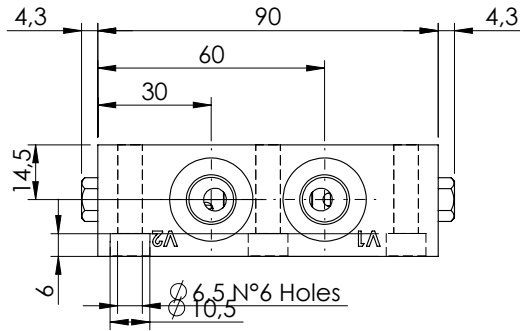


PILOT OPERATED CHECK VALVE

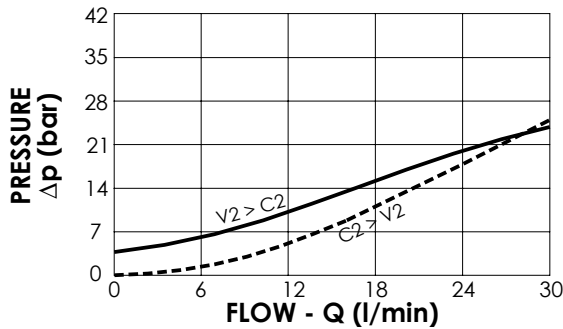
MCDN-030-ZBNS

DOUBLE ACTING
TWO FLANGED PORTS



SPECIFICATIONS

Max. operating pressure:	350 bar
Rated flow:	30 l/min
Manifold:	Aluminium
Weight:	0,67 kg



ORDERING CODES

Quick code	Description	Main ports size	Pilot ratio	Cracking pressure (bar)	O-Ring on pilot piston
MC000086	MCDN-030-ZBNS-04-G14-N004	V1,V2:G 1/4" C1,C2: Ø 6	4:1	4	NO