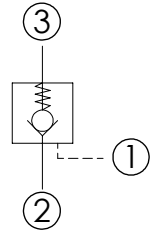
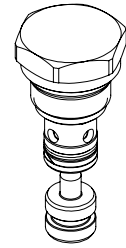
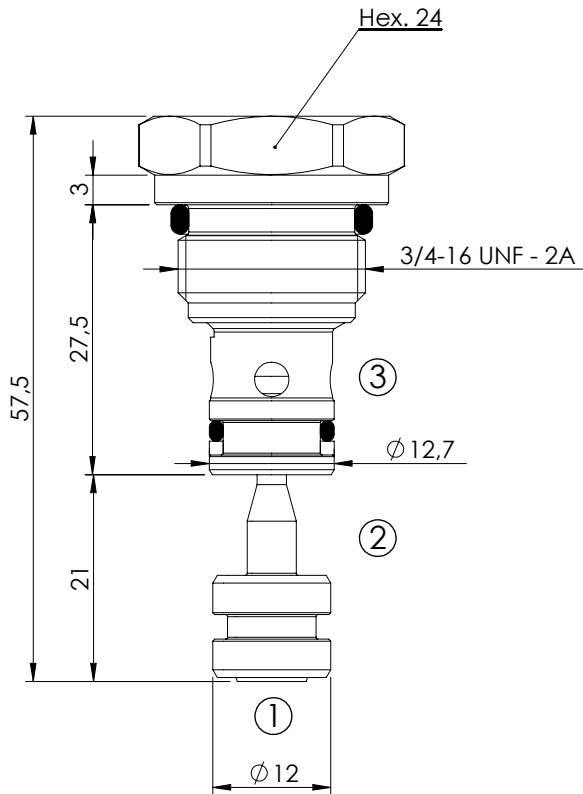


PILOT OPERATED CHECK VALVE

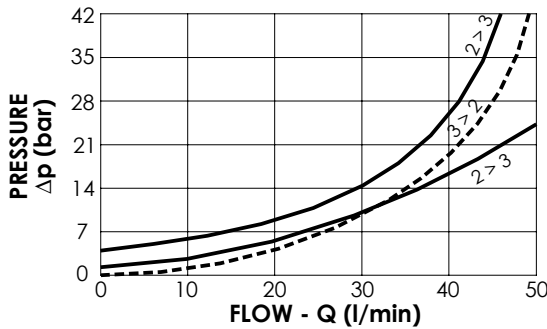
**CDPN-050-PSNN**

SEPARATE PILOT  
PISTON



**SPECIFICATIONS**

Max. operating pressure:	350 bar
Rated flow:	50 l/min
Cavity:	VP000193
Weight:	0,07 kg
Pilot ratio:	4:1



**NOTES**

Installation torque:	45 - 50 Nm
Seal kit:	RC700193

**ORDERING CODES**

Quick code	Description	Cracking pressure (bar)	O-Ring on pilot piston	
SC000051	CDPN-050-PSNN-04-193-N001	1	NO	
SC000056	CDPN-050-PSNN-04-193-N003	3	NO	
SC000057	CDPN-050-PSNE-04-193-N003	3	YES	