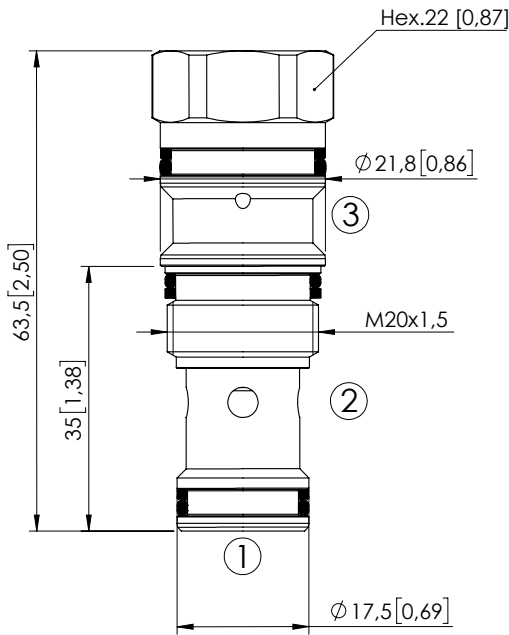
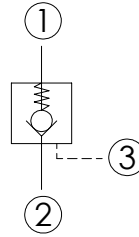


# CDPN-060-PSGR

INTEGRAL PILOT  
PISTON



Dimensions: mm [inches]

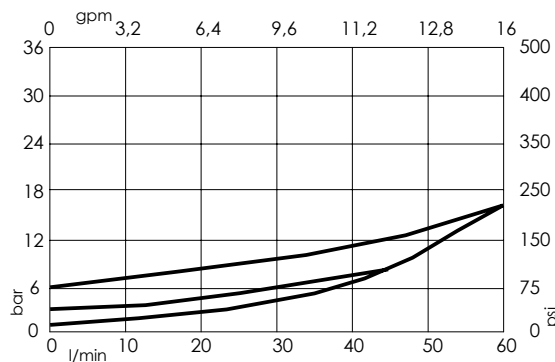


## SPECIFICATIONS

|                                  |                            |
|----------------------------------|----------------------------|
| Max. operating pressure:         | 350 bar (5000 psi)         |
| Rated flow:                      | 60 l/min (16 gpm)          |
| Cavity:                          | VP000161 (SUN T-11A)       |
| Weight:                          | 0,12 kg (0,27 lbs)         |
| Pilot ratio:                     | 3,2:1                      |
| Contamination class to ISO 4406: | See technical spec.        |
| Seal kit:                        | RC700161                   |
| Installation torque:             | 40 - 50 Nm (30 - 37 ft-lb) |
| MTF <sub>a</sub> :               | 150 years                  |

## NOTES

## CURVES



## ORDERING CODES

| Quick code | Description               | Cracking pressure | O-ring on pilot piston |
|------------|---------------------------|-------------------|------------------------|
| CD000555   | CDPN-060-PSGR-03-161-N000 | 0,3 bar (5 psi)   | YES                    |
| CD000226   | CDPN-060-PSGR-03-161-N002 | 2 bar (25 psi)    | YES                    |
| CD000227   | CDPN-060-PSGM-03-161-N002 | 2 bar (25 psi)    | NO                     |
| CD000224   | CDPN-060-PSGR-03-161-N005 | 5 bar (75 psi)    | YES                    |
| CD000225   | CDPN-060-PSGM-03-161-N005 | 5 bar (75 psi)    | NO                     |