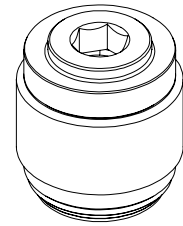
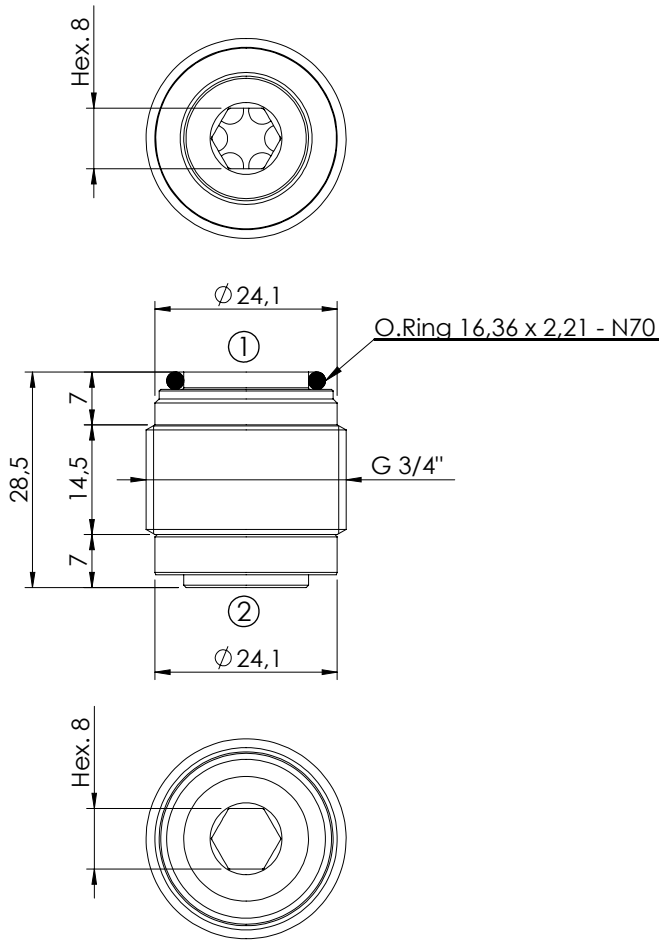


CHECK VALVE

**CDVN-120-PSNS**

BIDIRECTIONAL  
POPPET TYPE



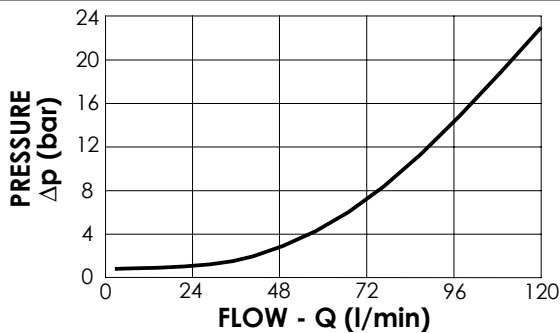
**SPECIFICATIONS**

Max. operating pressure:	350 bar
Rated flow:	120 l/min
Cavity:	VP000202
Weight:	0,08 kg

**NOTES**

Installation torque: 60 - 75 Nm

The valve can be assembled in both ways, OR to be placed only on the side first introduced in the cavity



**ORDERING CODES**

Quick code	Description	Cracking pressure (bar)	
CD000106	CDVN-120-PSNS-FN-202-N001	1	