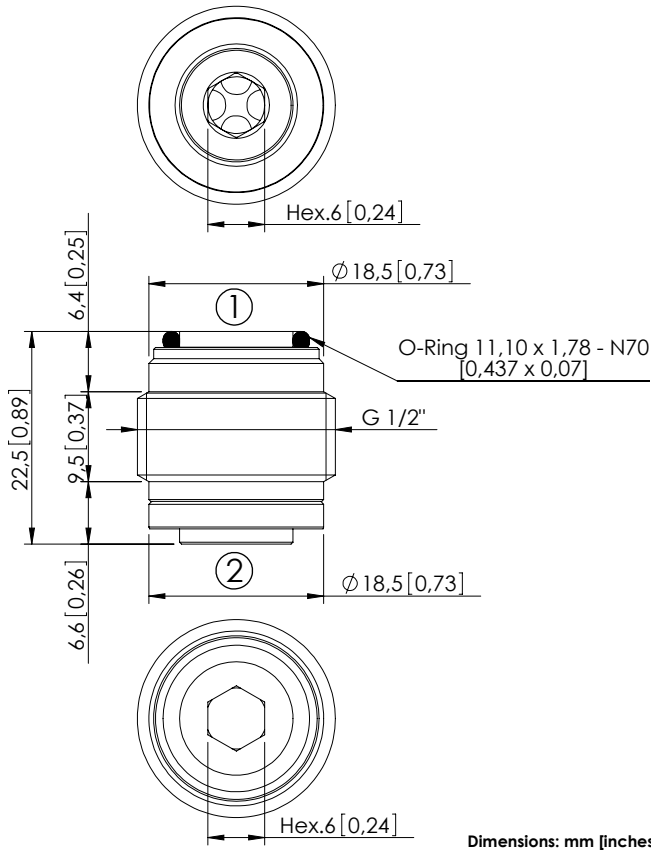


CHECK VALVE

CDVN-070-PSNS

BIDIRECTIONAL
POPPET TYPE



Dimensions: mm [inches]



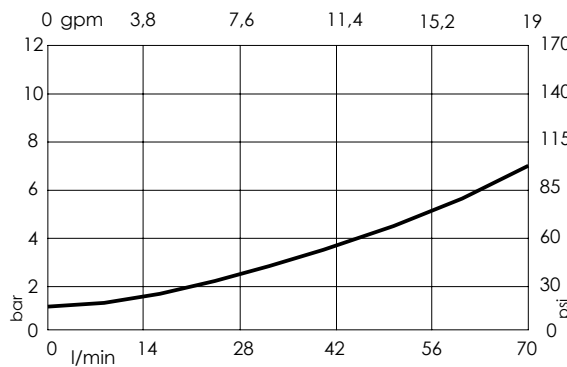
SPECIFICATIONS

Max. operating pressure:	350 bar (5000 psi)
Rated flow:	70 l/min (19 gpm)
Cavity:	VP000158
Weight:	0,04 kg (0,09 lbs)
Contamination class to ISO 4406:	See technical spec.
Installation torque:	25 - 30 Nm (18 - 22 ft-lb)
MTF _a :	150 years

NOTES

Bidirectional installations. Fit O-Ring to side first inserted in cavity.

CURVES



ORDERING CODES

Quick code	Description	Cracking pressure	
CD000107	CDVN-070-PSNS-FN-158-N001	1 bar (15 psi)	