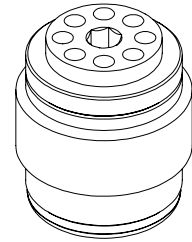
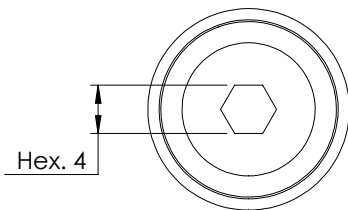
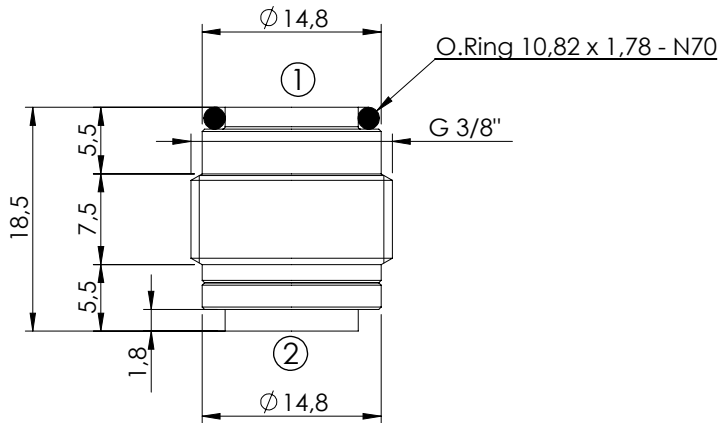
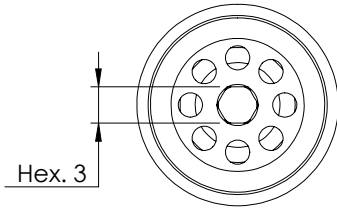


CHECK VALVE

**CDVN-030-SSNS**

MONO DIRECTIONAL  
SPHERE TYPE

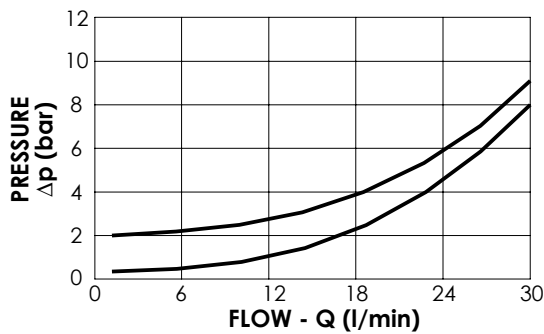


**SPECIFICATIONS**

Max. operating pressure:	350 bar
Rated flow:	30 l/min
Cavity:	VP000310
Weight:	0,02 kg

**NOTES**

Installation torque:	8 Nm
----------------------	------



**ORDERING CODES**

Quick code	Description	Craking pressure (bar)	
CD000029	CDVN-030-SSNS-FN-310-N002	2	
CD000058	CDVN-030-SSNS-FN-310-N000	0	