

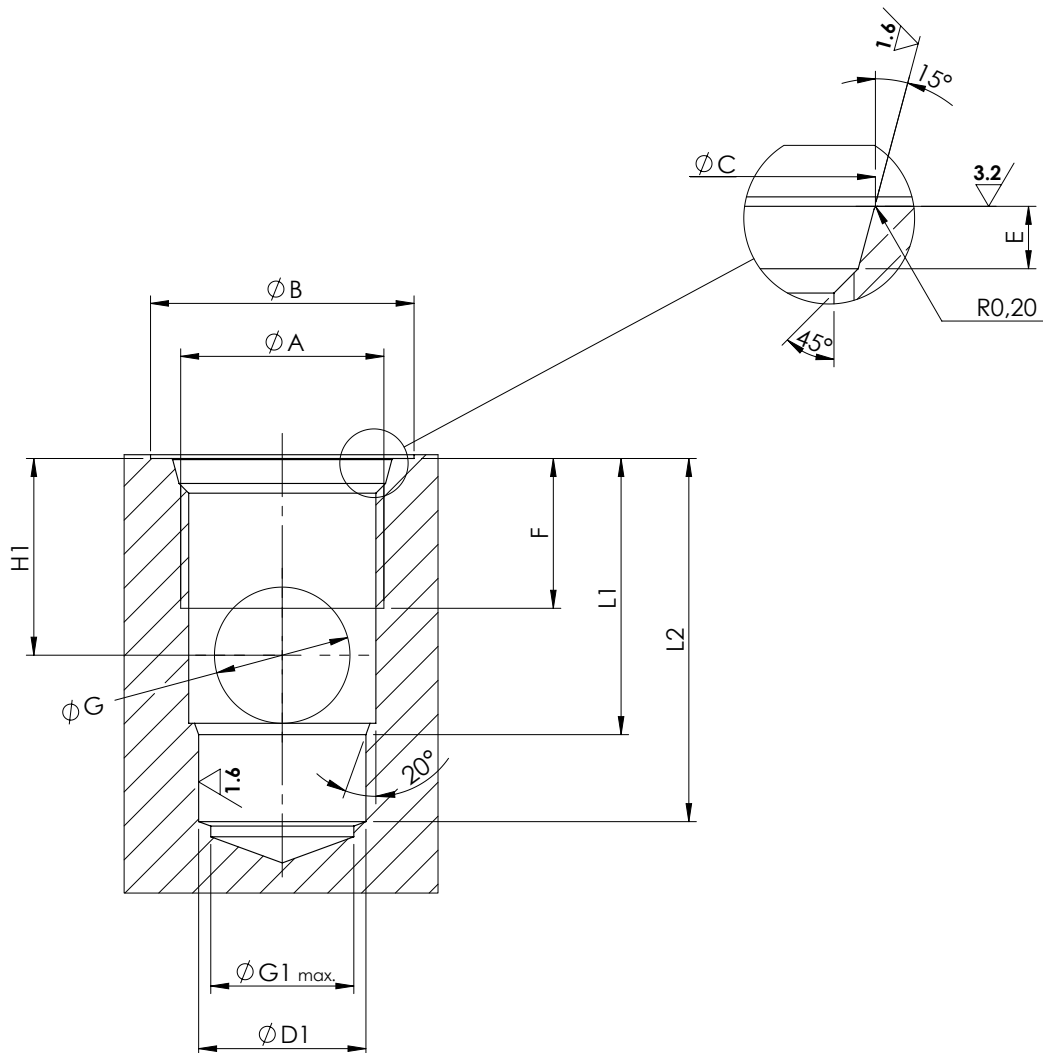
Cavities and Technical Drawings

Section 24

SECTION 24

CAVITIES AND TECHNICAL DRAWINGS



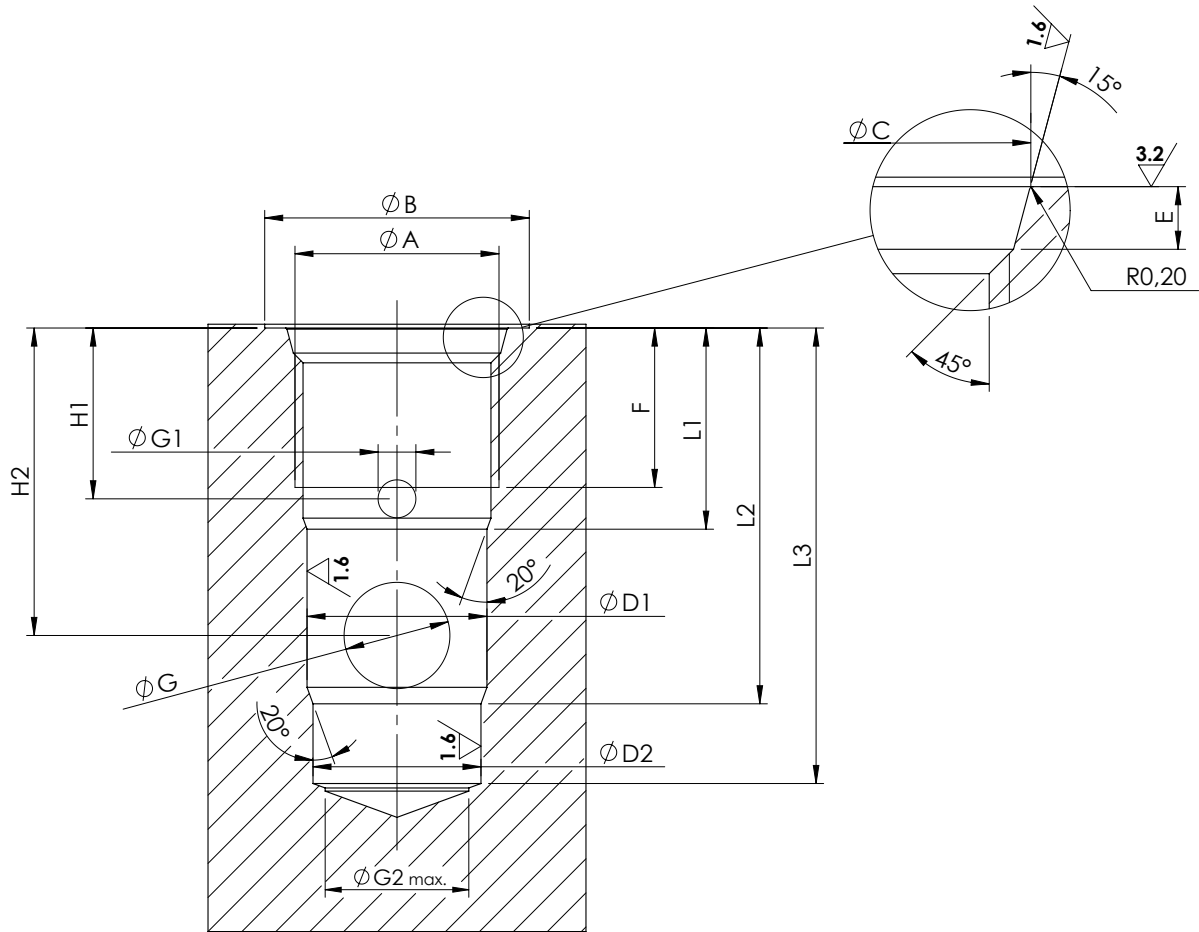


General tolerances : 0.3mm

Ⓞ	0.03
Ⓜ	0.02

	SAE-08-2N	SAE-10-2N	SAE-12-2N	SAE-16-2N	SAE-20-2N
A	3/4-16 UNF	7/8-14 UNF	1-1/16 12 UNF	1-5-16 12 UNF	1-5/8 12 UNF
B	26	30	35	42	48
C	20.6 ^{+0.1} ₀	23.9 ^{+0.1} ₀	29.2 ^{+0.1} ₀	35.5 ^{+0.1} ₀	43.5 ^{+0.1} ₀
D1	12.7 ^{+0.05} ₀	15.87 ^{+0.05} ₀	22.22 ^{+0.05} ₀	28.60 ^{+0.05} ₀	36.52 ^{+0.05} ₀
E	2.6 ^{+0.3} ₀	2.6 ^{+0.3} ₀	3.3 ^{+0.3} ₀	3.3 ^{+0.3} ₀	3.4 ^{+0.3} ₀
F	13	15	20	20	22
G	9	12	18	19	25
G1	12	15	19	24	30
H1	14	18	26	25	32
L1	20.5	25.5	36.5	36	44.5
L2	29	34.5	48	49	59

SAE-XX-3C

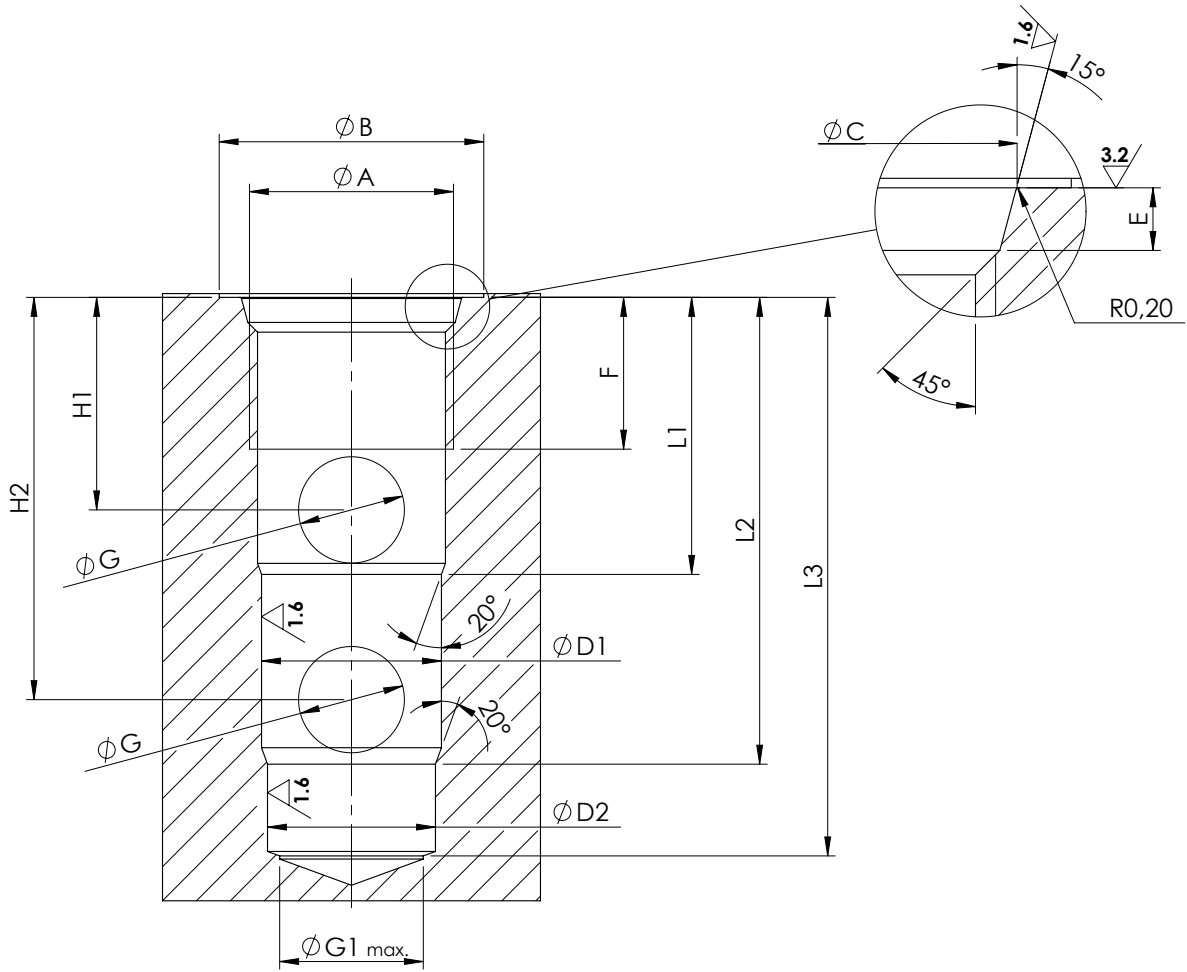


General tolerances : 0.03 mm

⊙	0.03
⊥	0.02

	SAE-08-3C	SAE-10-3C	SAE-12-3C	SAE-16-3C	SAE-20-3C
A	3/4-16 UNF	7/8-14 UNF	1-1/16 12 UNF	1-5/16 12 UNF	1-5/8 12 UNF
B	26	30	35	42	48
C	20.6 ^{+0.1} ₀	23.9 ^{+0.1} ₀	29.2 ^{+0.1} ₀	35.5 ^{+0.1} ₀	43.5 ^{+0.1} ₀
D1	15.87 ^{+0.05} ₀	19.05 ^{+0.05} ₀	23.80 ^{+0.05} ₀	28.6 ^{+0.05} ₀	36.52 ^{+0.05} ₀
D2	14.27 ^{+0.05} ₀	17.47 ^{+0.05} ₀	22.22 ^{+0.05} ₀	25.42 ^{+0.05} ₀	33.35 ^{+0.05} ₀
E	2.6 ^{+0.3} ₀	2.6 ^{+0.3} ₀	3.3 ^{+0.3} ₀	3.3 ^{+0.3} ₀	3.4 ^{+0.3} ₀
F	12	13	21	16.5	20
G	8	14	14	15	28
G1	3	4	5	5	7
G2	12	15	19	24	30
H1	12.5	14	22.5	17.5	20
H2	26.5	31.5	40.5	38	50
L1	16	18	26.5	22	25.5
L2	32	40	49.5	47.5	65.5
L3	40	49	60	58	78

SAE-XX-3N

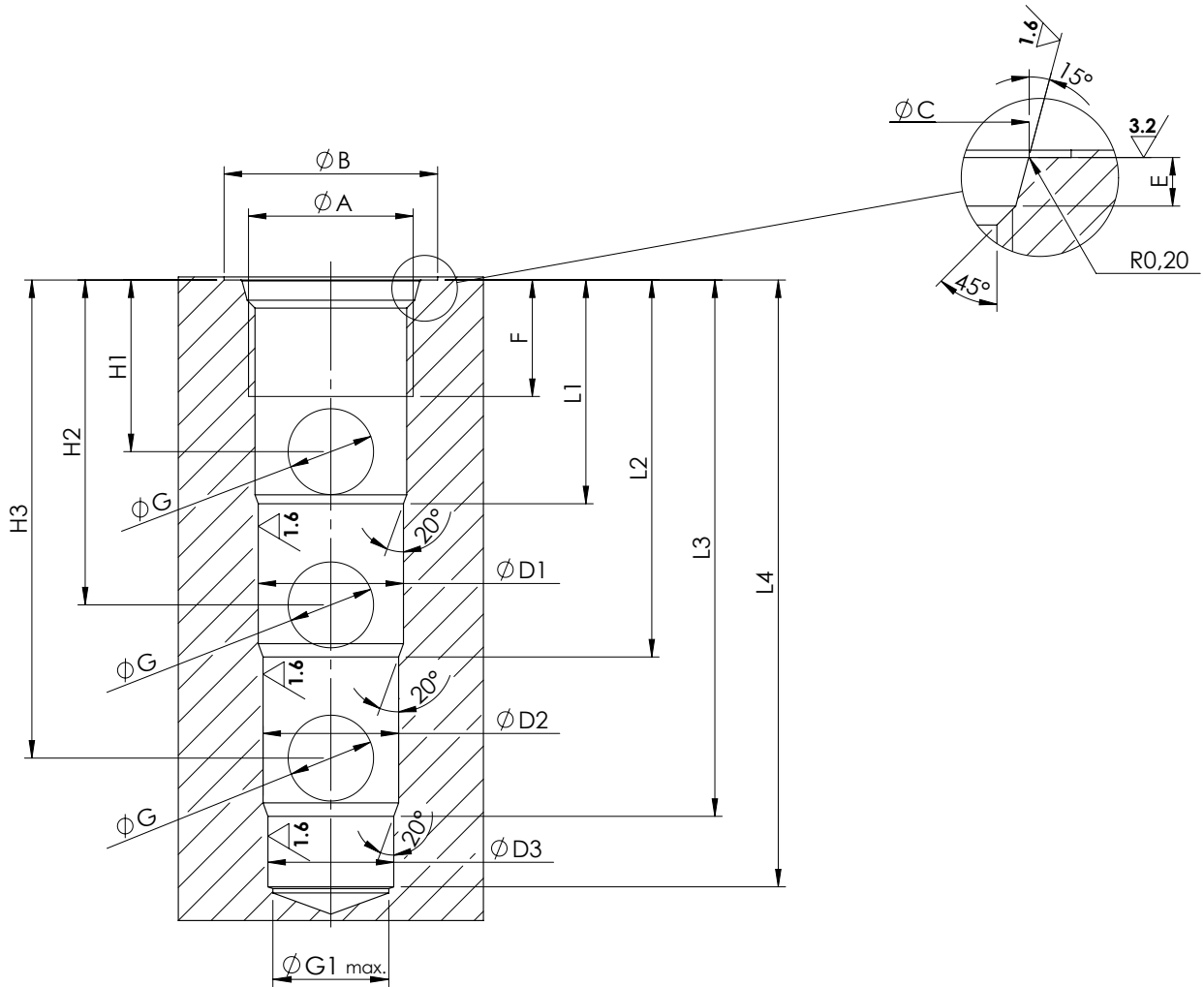


General tolerances : 0.03 mm

⊙	0.03
⊥	0.02

	SAE-08-3N	SAE-10-3N	SAE-12-3N	SAE-16-3N	SAE-20-3N
A	3/4-16 UNF	7/8-14 UNF	1-1/16 12 UNF	1-5/16 12 UNF	1-5/8 12 UNF
B	26	30	35	42	54
C	20.60 ^{+0.1} ₀	23.90 ^{+0.1} ₀	29.20 ^{+0.1} ₀	35.50 ^{+0.1} ₀	43.5 ^{+0.1} ₀
D1	15.87 ^{+0.05} ₀	17.47 ^{+0.05} ₀	23.80 ^{+0.05} ₀	28.60 ^{+0.05} ₀	36.52 ^{+0.05} ₀
D2	14.27 ^{+0.05} ₀	15.87 ^{+0.05} ₀	22.22 ^{+0.05} ₀	27.00 ^{+0.05} ₀	33.35 ^{+0.05} ₀
E	2.6 ^{+0.3} ₀	2.6 ^{+0.3} ₀	3.3 ^{+0.3} ₀	3.3 ^{+0.3} ₀	3.4 ^{+0.3} ₀
F	13	14	20	20	22
G	6	8	14	17	25
G1	12	15	19	24	30
-	-	-	-	-	-
H1	15	18	28	25.5	32
H2	29	34	53	54	72
L1	19.50	23.5	36.5	35.5	46
L2	33.50	39.50	61.50	64	86
L3	43	48.50	73	75	100

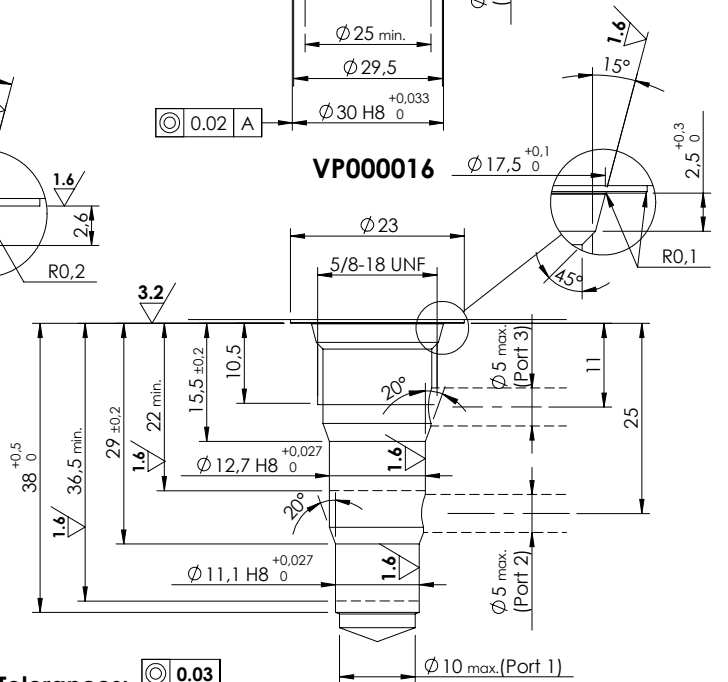
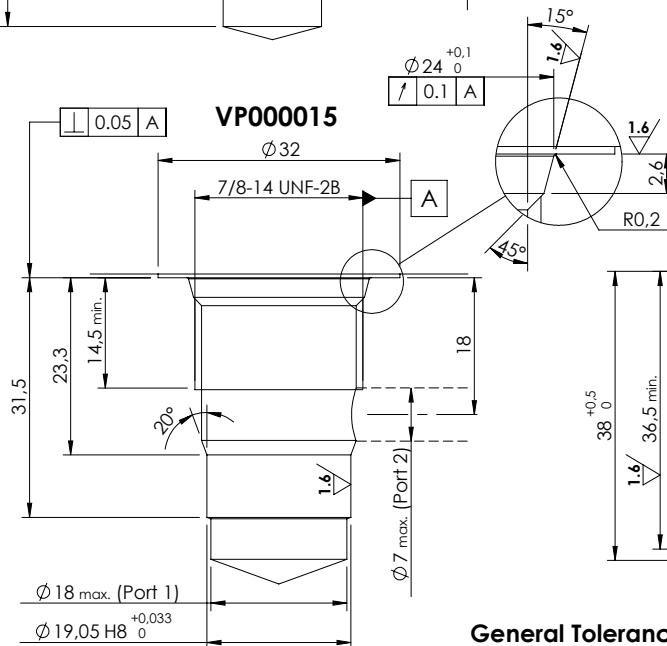
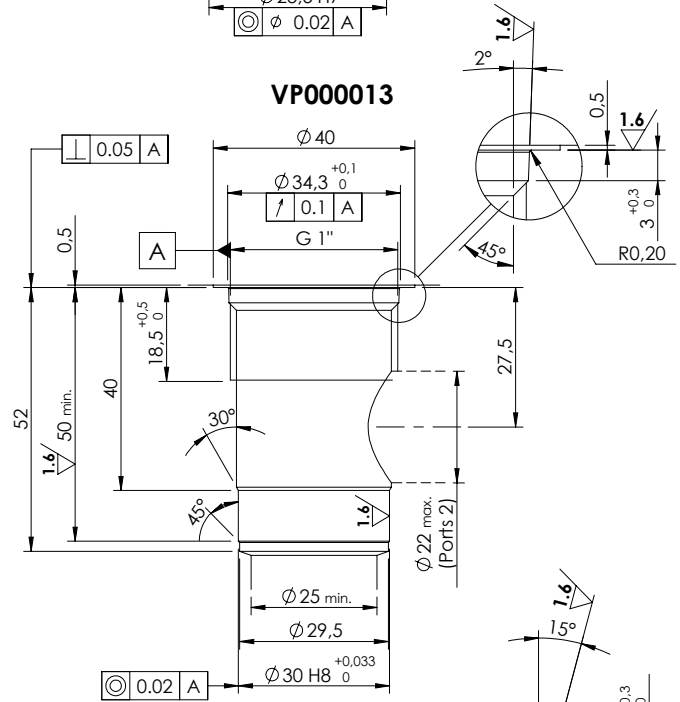
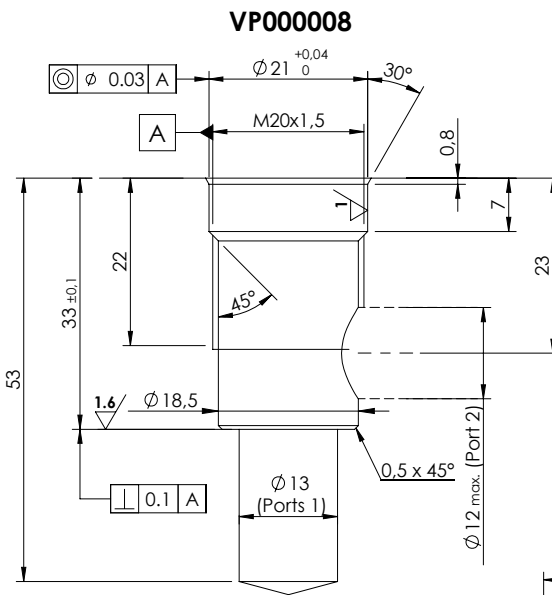
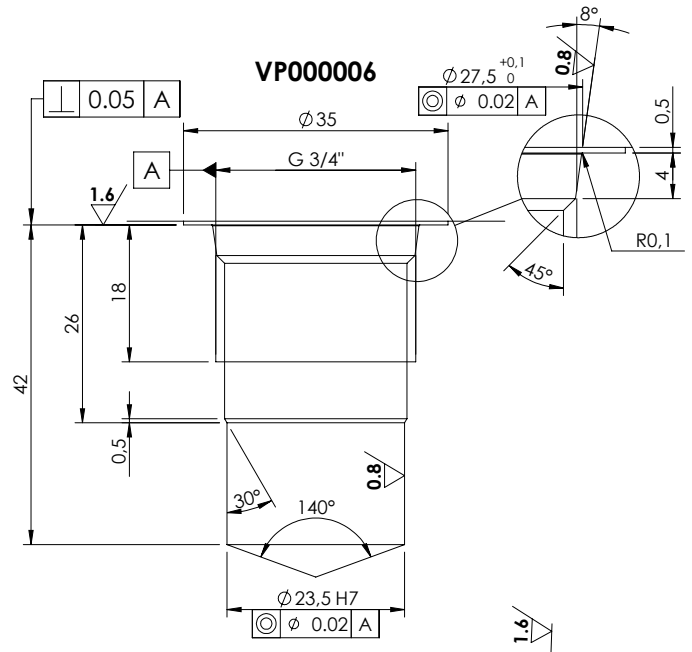
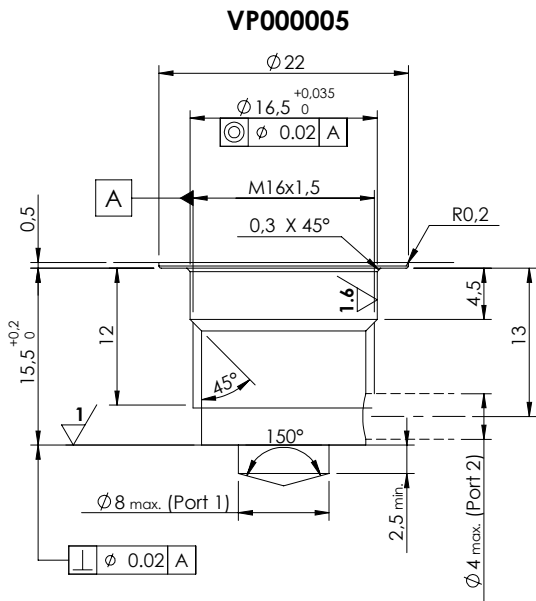
SAE-XX-4N



General tolerances: 0.03 mm

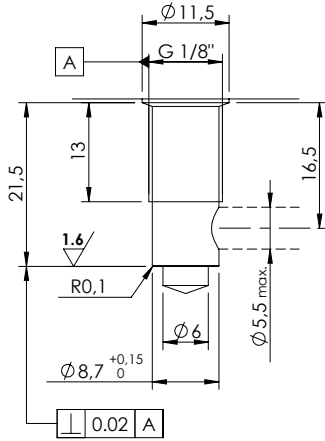
⊙	0.03
⊥	0.02

	SAE-08-4N	SAE-10-4N	SAE-12-4N	SAE-16-4N	SAE-20-4N
A	3/4-16 UNF	7/8-14 UNF	1-1/16 12 UNF	1-5/16 12 UNF	1-5/8 12 UNF
B	26	30	35	42	48
C	20.60 ^{+0.1} ₀	23.90 ^{+0.1} ₀	29.20 ^{+0.1} ₀	35.50 ^{+0.1} ₀	43.5 ^{+0.1} ₀
D1	15.87 ^{+0.05} ₀	19.05 ^{+0.05} ₀	23.80 ^{+0.05} ₀	28.60 ^{+0.05} ₀	36.52 ^{+0.05} ₀
D2	14.27 ^{+0.05} ₀	17.47 ^{+0.05} ₀	22.22 ^{+0.05} ₀	27.00 ^{+0.05} ₀	33.35 ^{+0.05} ₀
D3	12.7 ^{+0.05} ₀	15.87 ^{+0.05} ₀	20.62 ^{+0.05} ₀	25.42 ^{+0.05} ₀	31.75 ^{+0.05} ₀
E	2.6 ^{+0.3} ₀	2.6 ^{+0.3} ₀	3.3 ^{+0.3} ₀	3.3 ^{+0.3} ₀	3.4 ^{+0.3} ₀
F	13	15	19	20	22
G	6	8	14	16	25
G1	12	15	19	24	30
H1	15	18	28	25	32
H2	29	34	53	53.5	72
H3	43	50	78	82	114
L1	19.5	23.5	36.5	35.5	46
L2	33.5	39.5	61.5	64	87
L3	47.5	55.5	87.5	92.5	128.5
L4	56	64.5	99	104	142

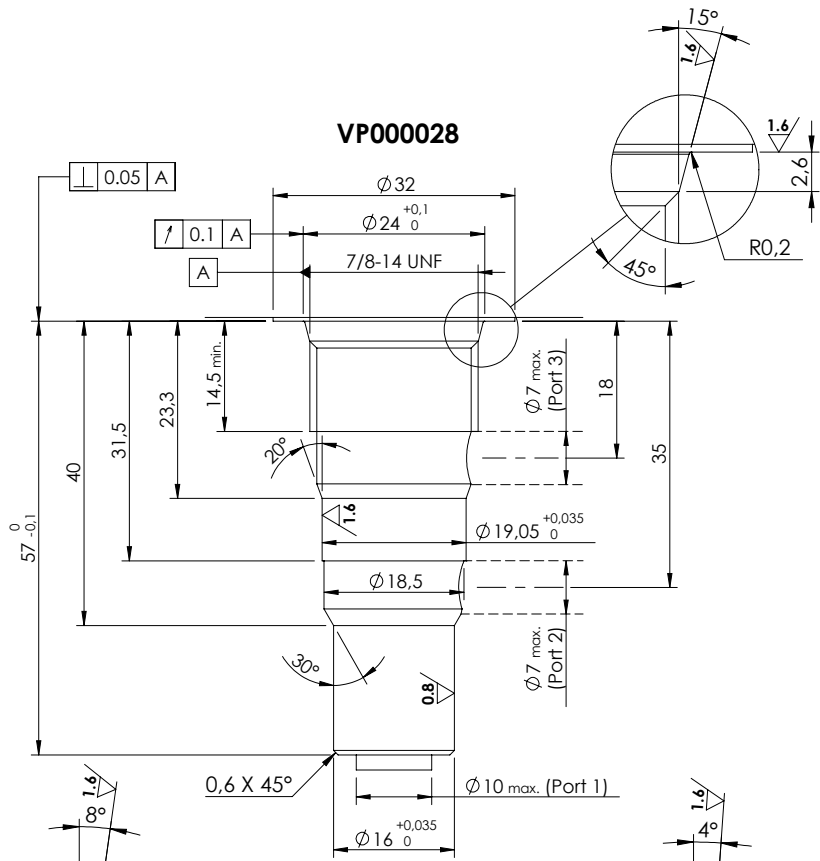


General Tolerances: Ⓢ 0.03
 Ⓢ 0.02

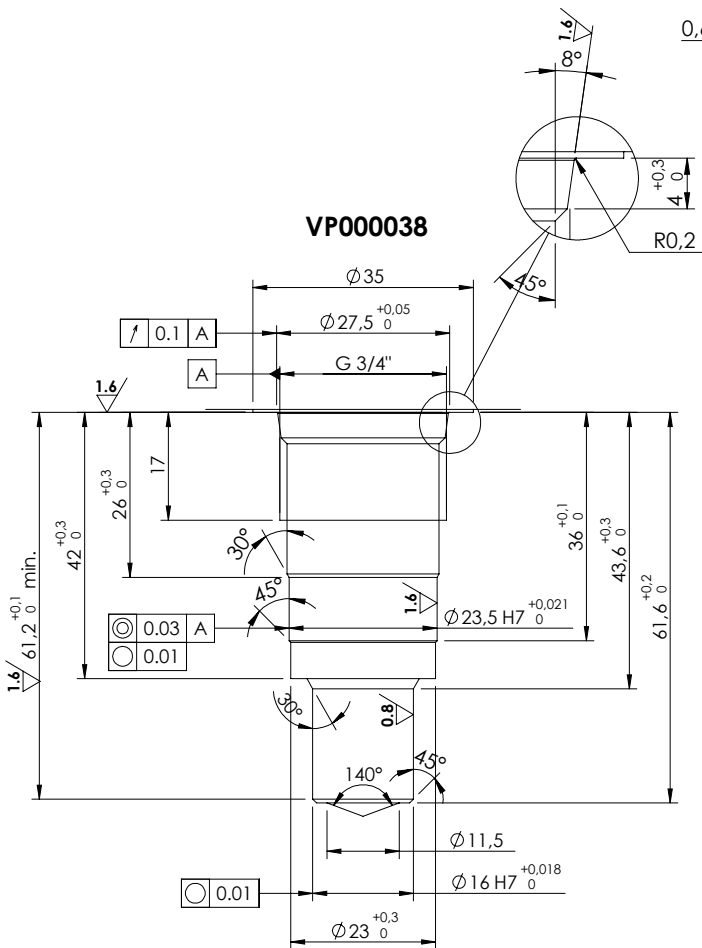
VP000018



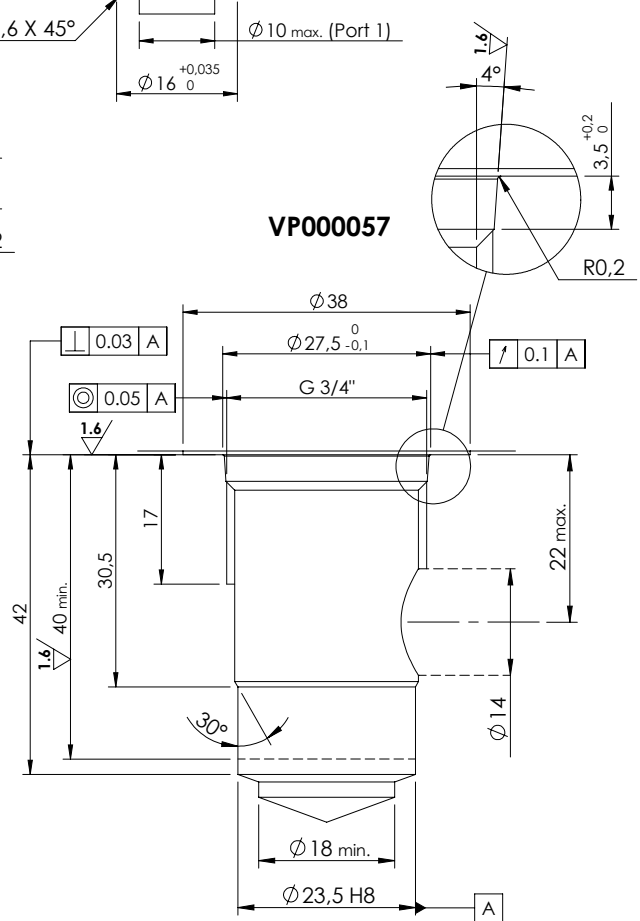
VP000028



VP000038

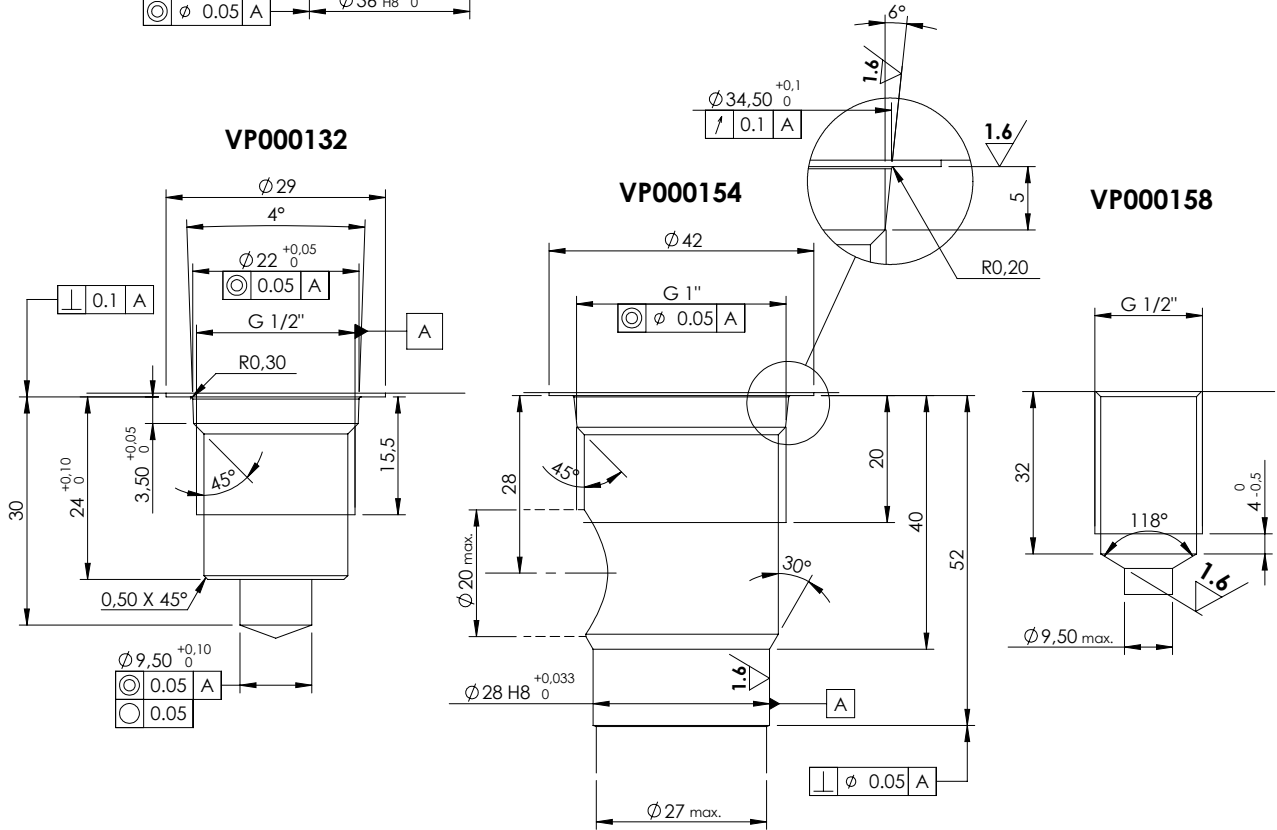
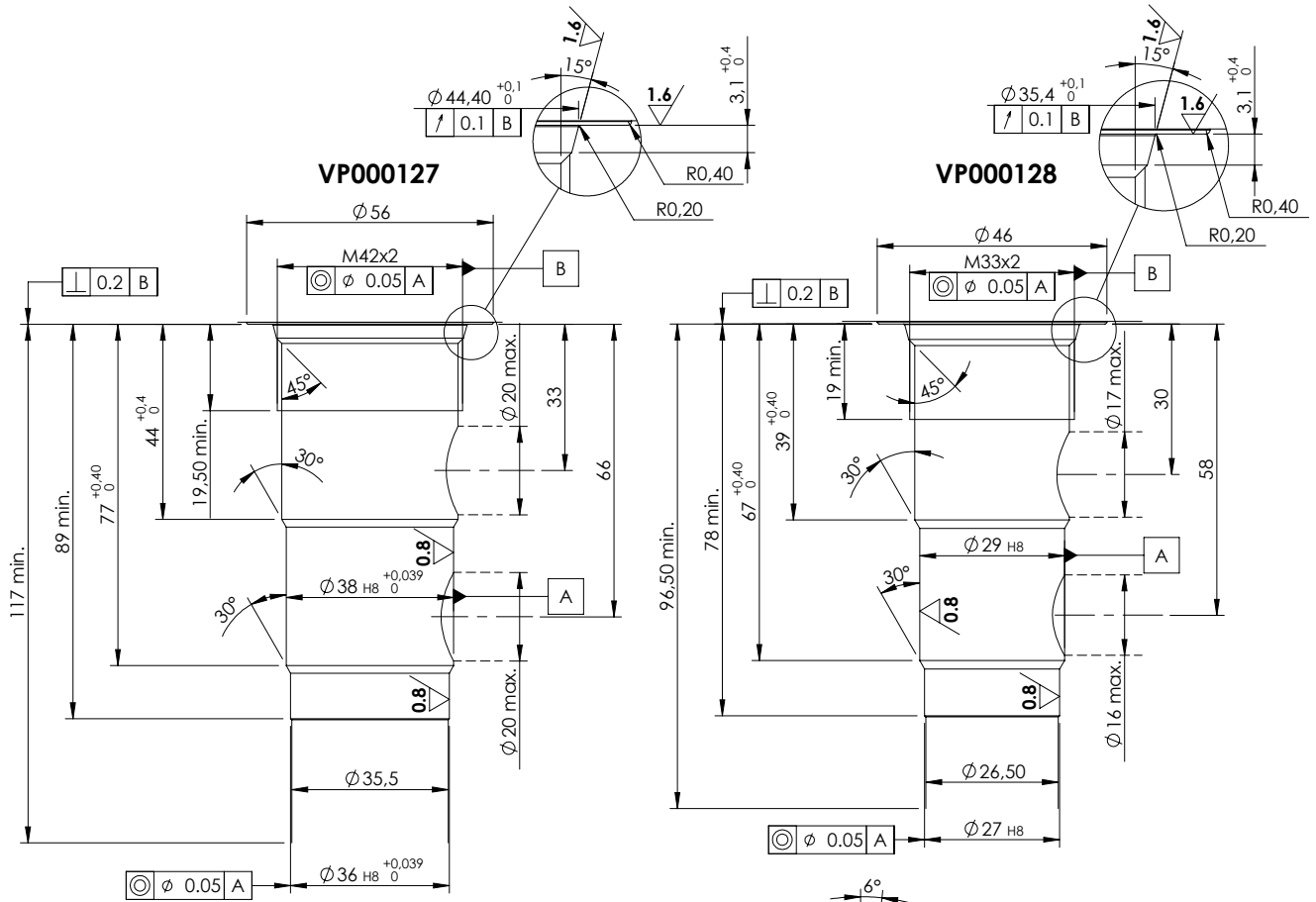


VP000057

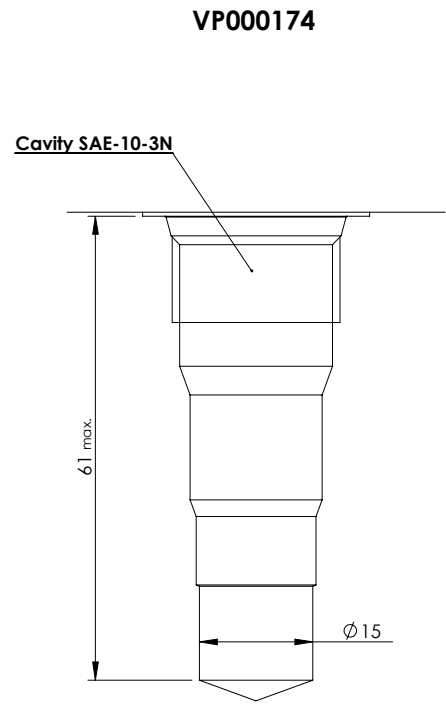
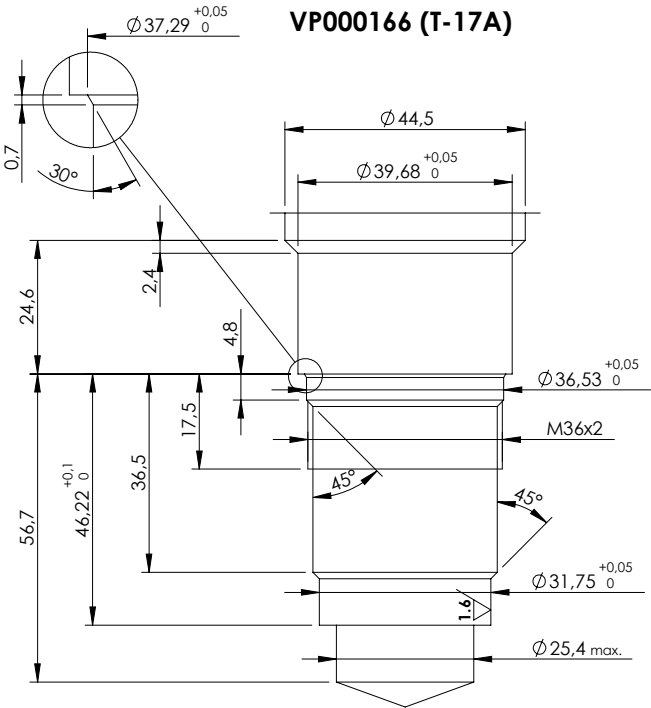
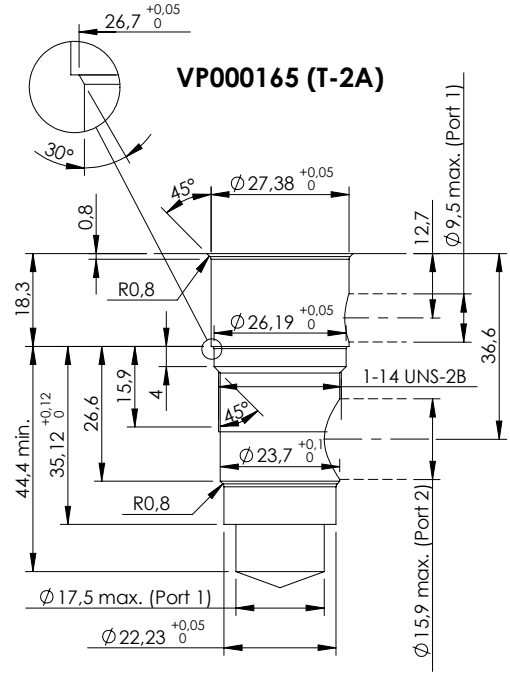
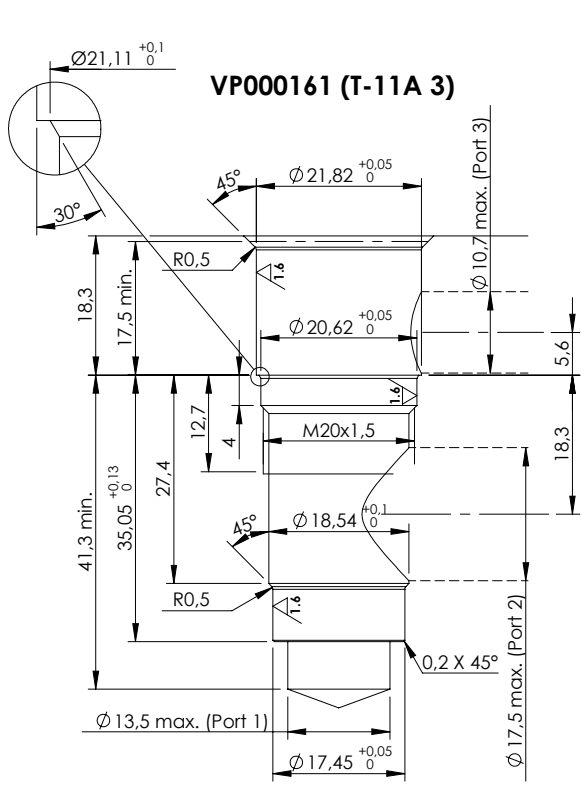


General Tolerances:

⊙	0.03
⊥	0.02



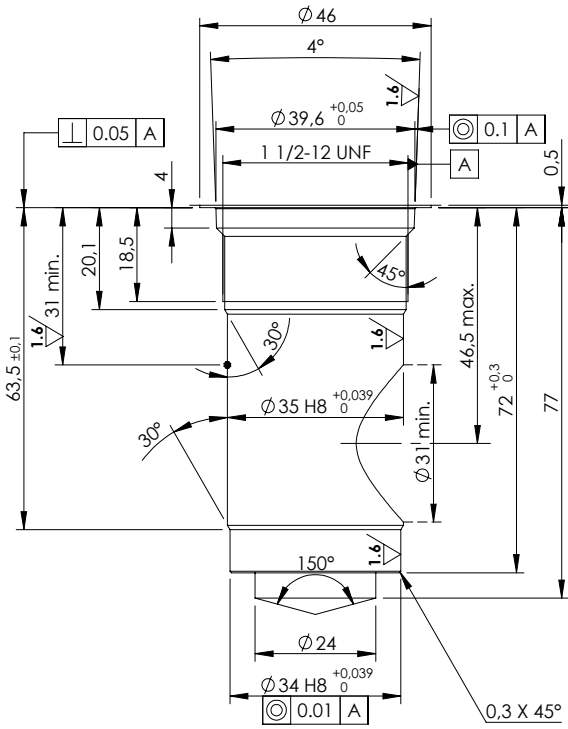
General Tolerances: $\text{Ⓢ} \begin{matrix} \text{Ⓢ} & 0.03 \\ \text{Ⓢ} & 0.02 \end{matrix}$



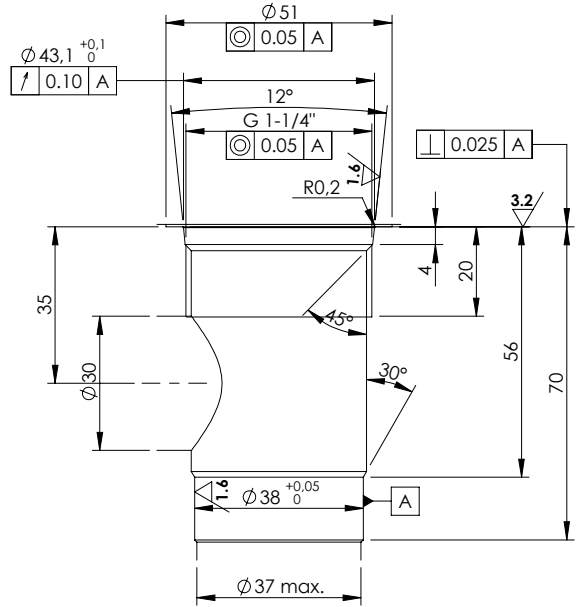
General Tolerances:

\varnothing	0.03
\perp	0.02

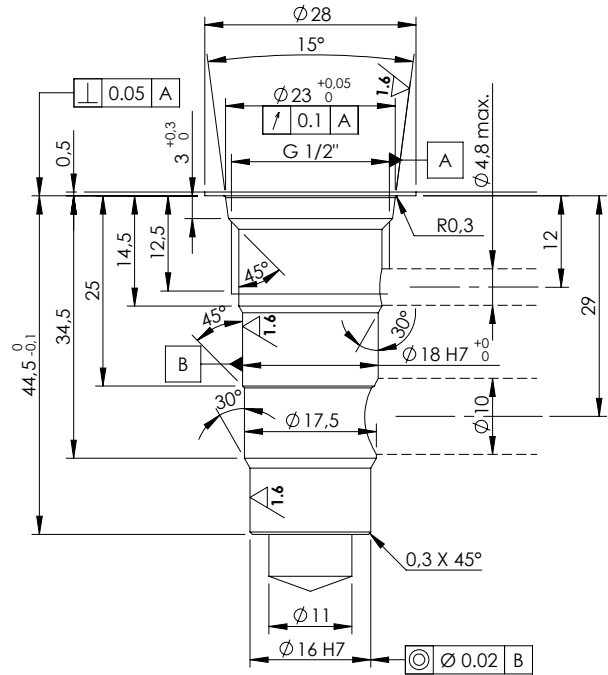
VP000178



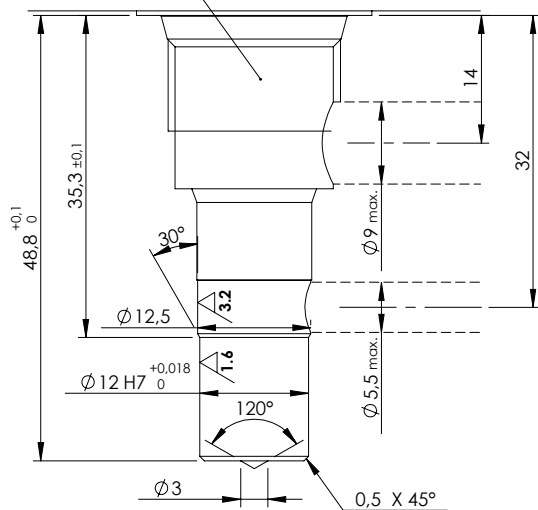
VP000180



VP000198

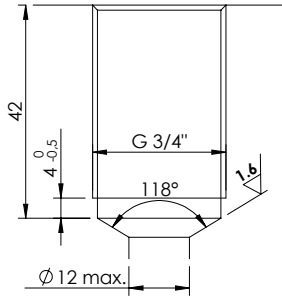


Cavity SAE-08-2N VP000193

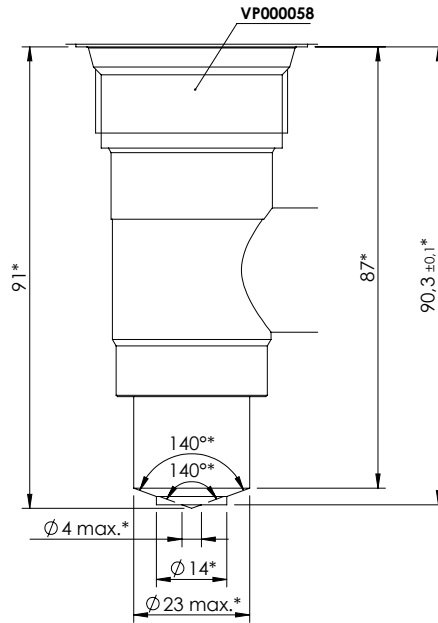


General Tolerances: $\varnothing\ 0.03$
 $\perp\ 0.02$

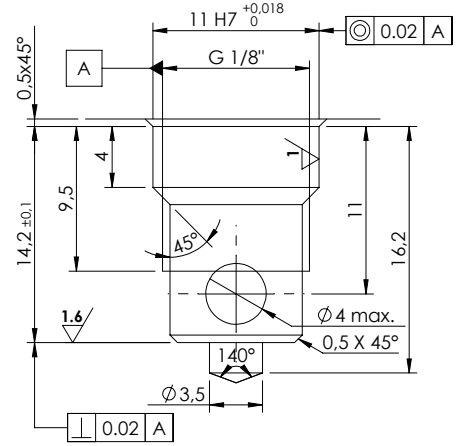
VP000202



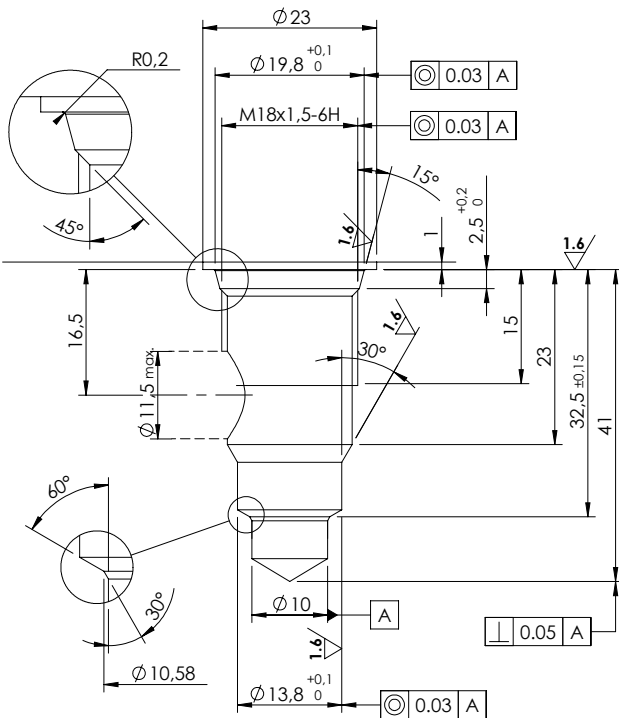
VP000204



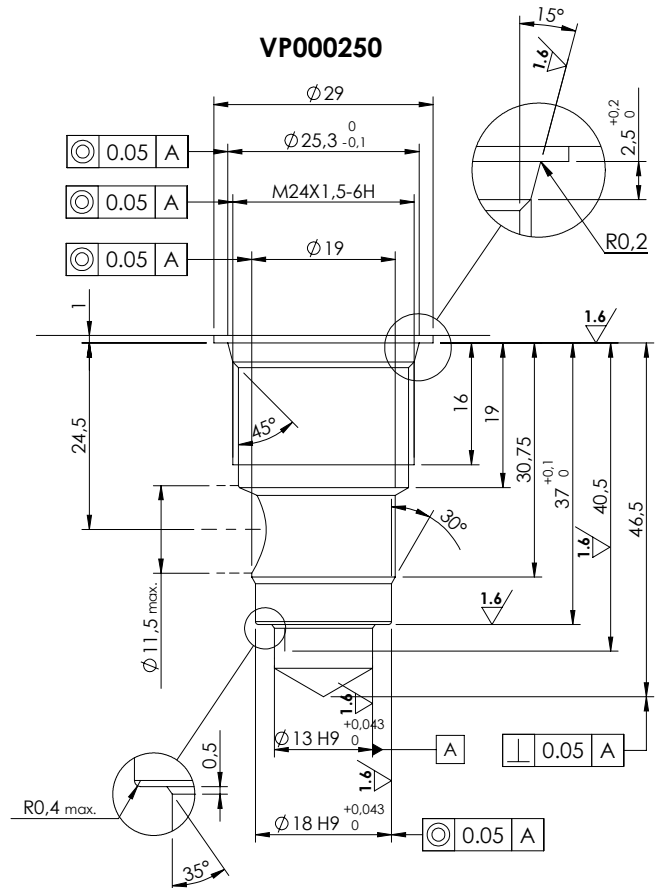
VP000216



VP000249

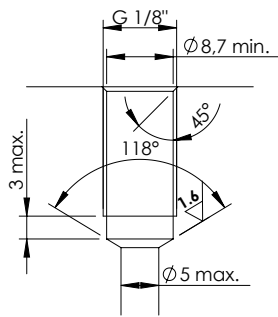


VP000250

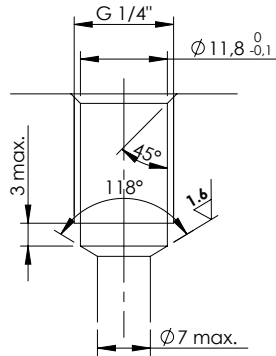


General Tolerances: $\text{◎ } 0.03$
 $\text{┘ } 0.02$

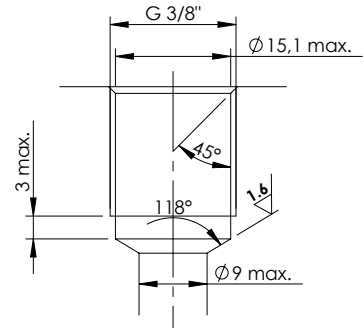
VP000307



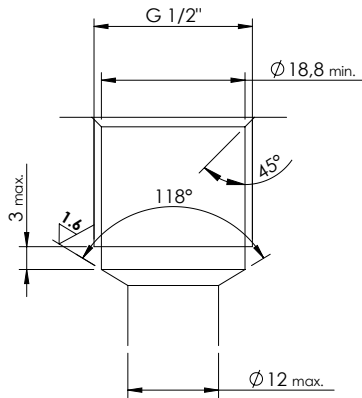
VP000309



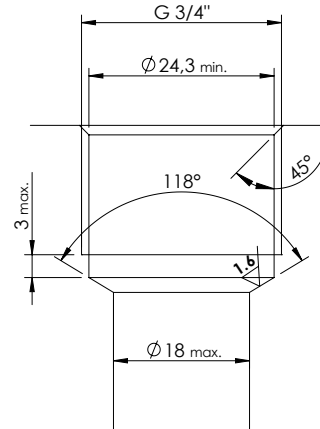
VP000310



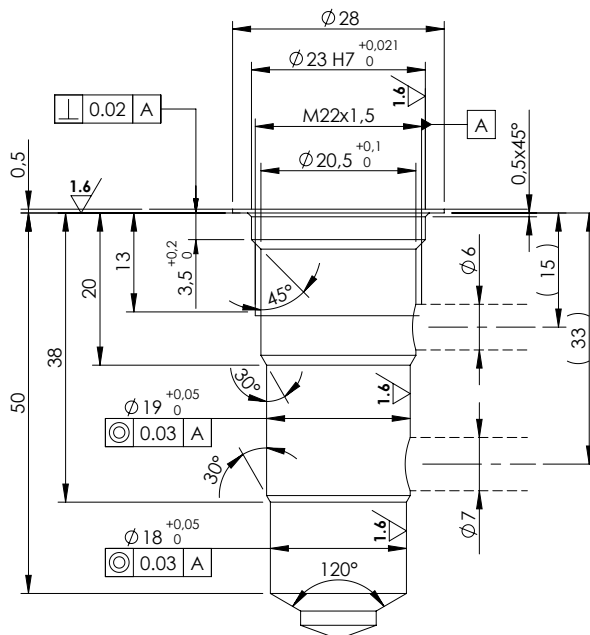
VP000311



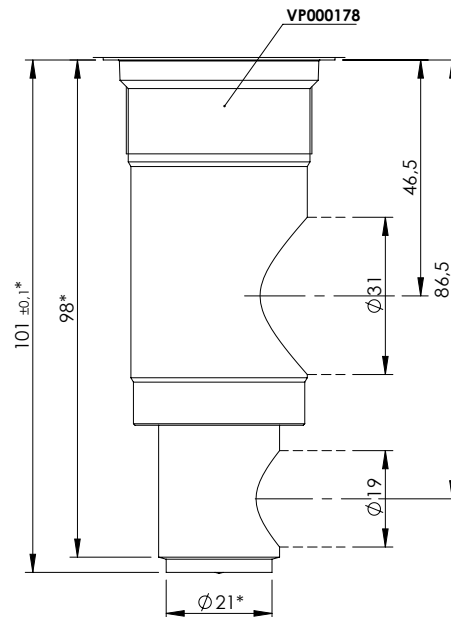
VP000312



VP000314



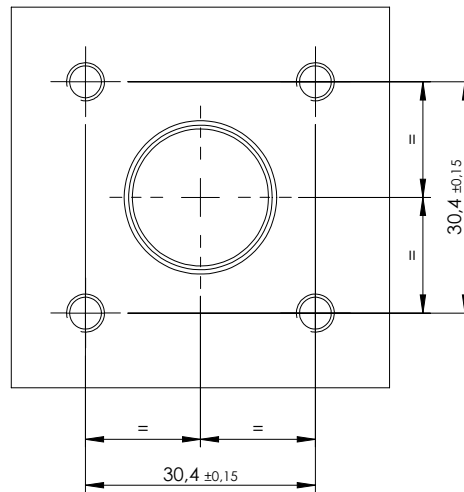
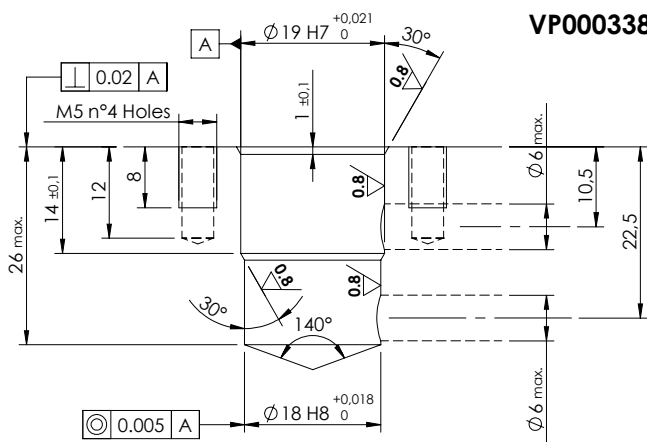
VP000330



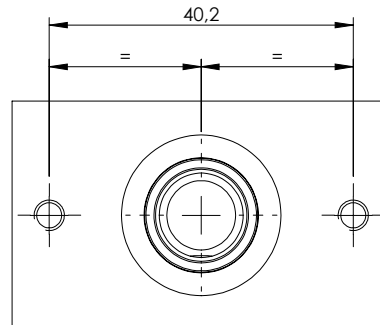
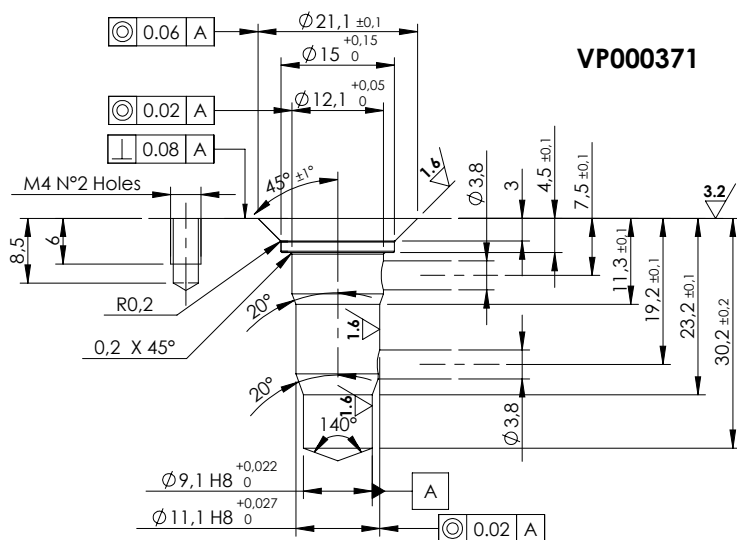
General Tolerances: $\text{◎} 0.03$
 $\text{┘} 0.02$

SPECIAL CAVITIES

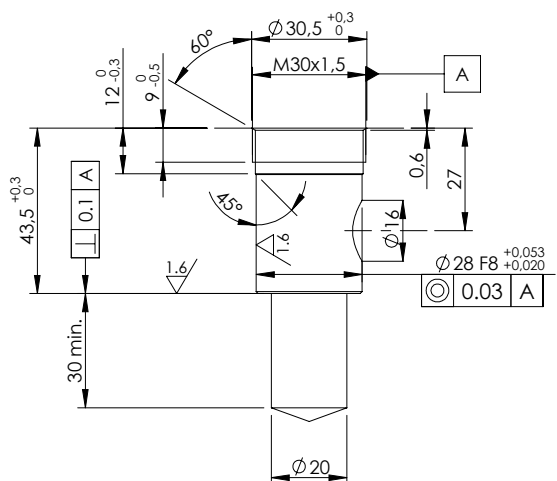
VP000338



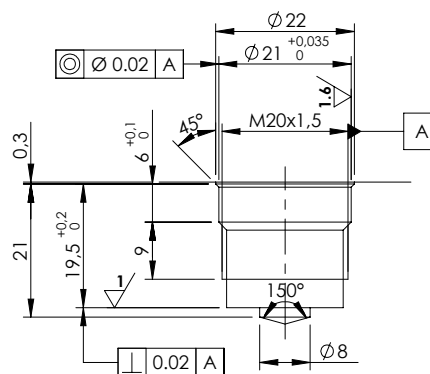
VP000371



VP000388

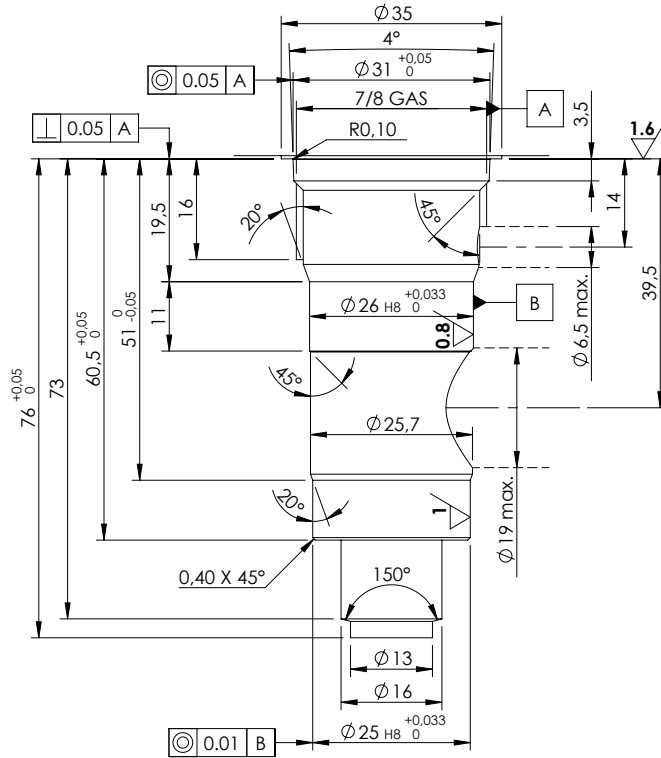


VP000445



General Tolerances: $\sqrt{0.03}$
 $\sqrt{0.02}$

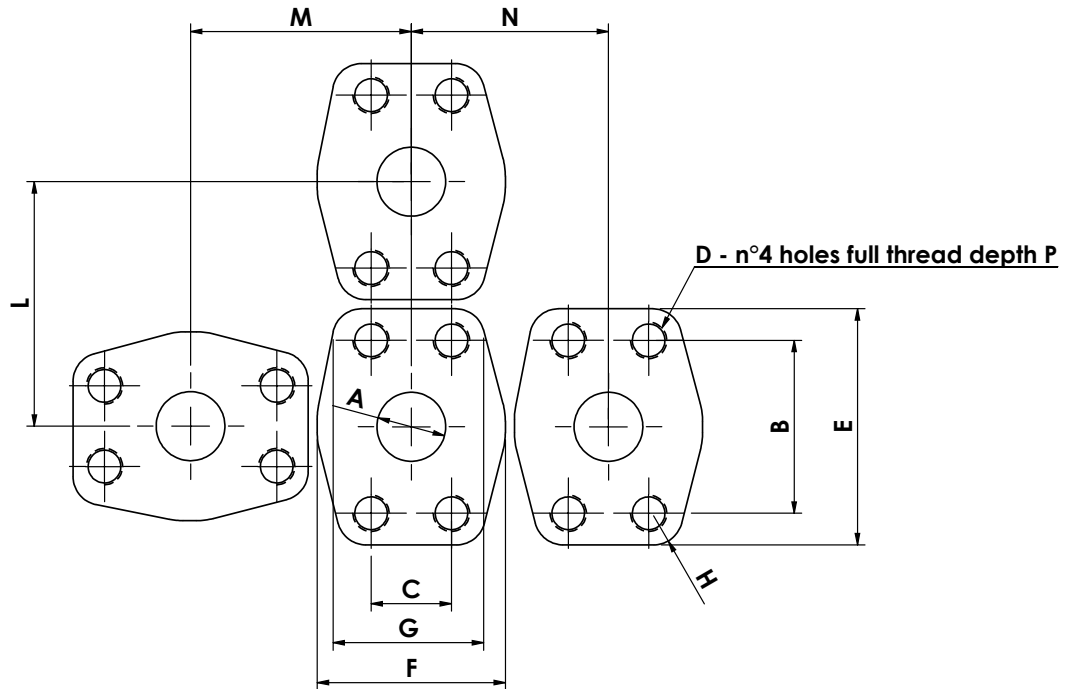
VP000555



General Tolerances:

⊙	0.03
⊥	0.02

SAE FLANGE



FLANGE SAE 3000 PSI (MEDIUM PRESSURE)

		1/2	3/4	1"	1" 1/4	1" 1/2
A	∅ max.	13	19	25,5	32	38
B	-	38,1	47,6	52,4	58,7	69,9
C	-	17,5	22,2	26,2	30,2	35,7
D	unc-2B	5/16-18	3/8-16	3/8-16	7/16-14	1/2-13
	metric	M8	M10	M10	M10	M12
E	-	54	65	70	79	94
F	-	46	52	59	73	83
G	min.	33	41	48	54	64
H	radius	8	9	9	10	12
L	min.	56	68	72	82	96
M	min.	52	61	67	78	90
N	min.	49	55	61	75	85
P	min. mm	24	22	22	28	27

FLANGE SAE 6000 PSI (HIGH PRESSURE)

		1/2	3/4	1"	1" 1/4	1" 1/2
A	∅ max.	13	19	25,5	32	38
B	-	40,50	50,80	57,2	66,7	79,4
C	-	18,2	23,80	27,8	31,80	36,50
D	unc-2B	5/16-18	3/8-16	7/16-14	1/2-13	5/8-11
	metric	M8	M10	M12	M14	M16
E	-	56	71	81	95	113
F	-	48	60	70	78	95
G	min.	38	48	54	60	70
H	radius	8	10	12	14	17
L	min.	59	75	84	99	116
M	min.	56	70	80	90	108
N	min.	53	66	75	83	101
P	min. mm	21	24	27	25	35