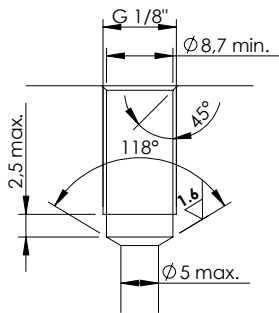
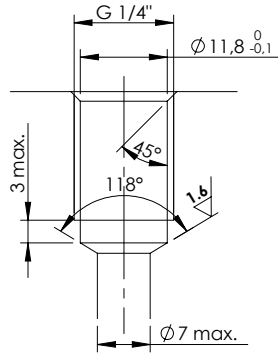


SPECIAL CAVITIES

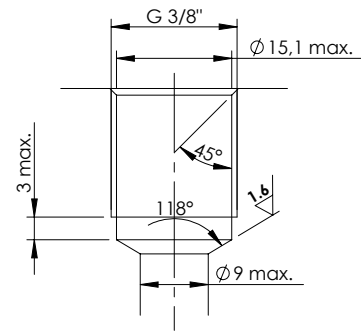
VP000307



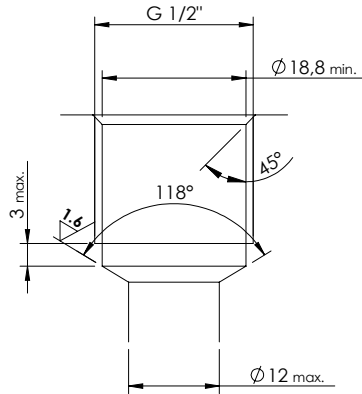
VP000309



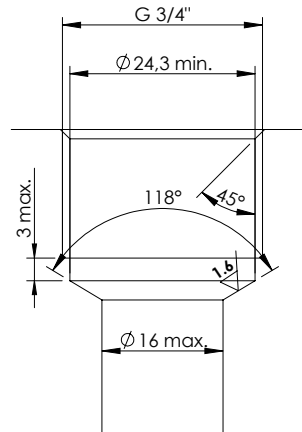
VP000310



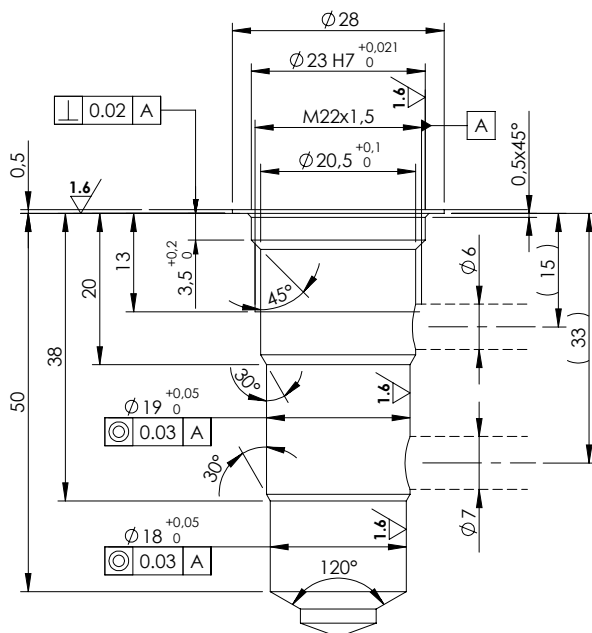
VP000311



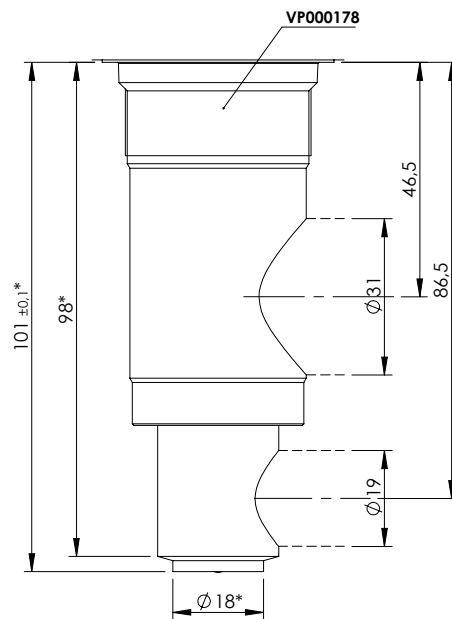
VP000312



VP000314



VP000330



General Tolerances:

| | |
|---|------|
| ⊙ | 0.03 |
| ⊥ | 0.02 |