

Standard Manifolds

Section 23

SECTION 23

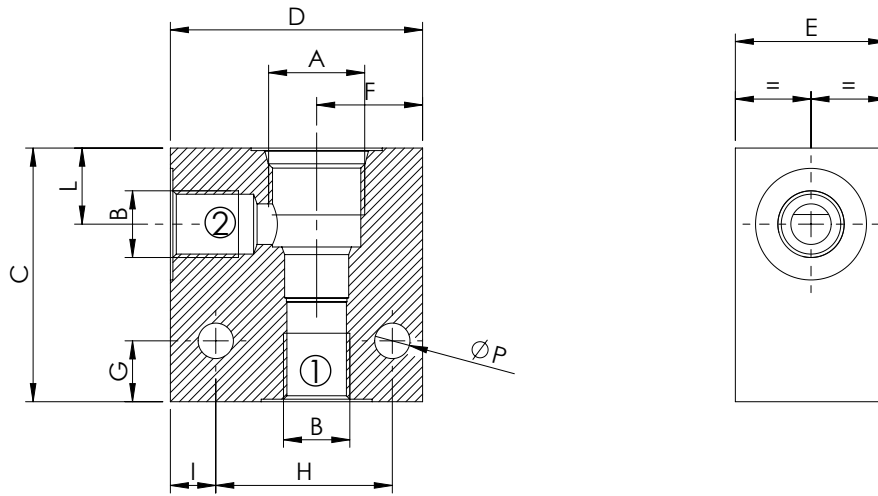


STANDARD MANIFOLDS

Description	Material	Valve type	Max. pressure (bar)	Installation	Port size	Page
SAE-XX-2N	Aluminium	Two way	250	In line	See datasheet	23.00.010
SAE-XX-2N	Steel	Two way	350	In line	See datasheet	23.00.020
SAE-XX-3C	Aluminium	Three way	250	In line	See datasheet	23.00.030
SAE-XX-3C	Steel	Three way	350	In line	See datasheet	23.00.030
SAE-XX-3N	Aluminium	Three way	250	In line	See datasheet	23.00.040
SAE-XX-3N	Steel	Three way	350	In line	See datasheet	23.00.040
SAE-XX-4N-3P	Aluminium	Four way, three ports	250	In line	See datasheet	23.00.050
SAE-XX-4N-3P	Steel	Four way, three ports	350	In line	See datasheet	23.00.050
SAE-XX-4N	Aluminium	Four way	250	In line	See datasheet	23.00.060
SAE-XX-4N	Steel	Four way	350	In line	See datasheet	23.00.060
VP000057	Aluminium	Two way	250	In line	See datasheet	23.00.070
VP000057	Steel	Two way	350	In line	See datasheet	23.00.070
VP000013	Aluminium	Two way	250	In line	See datasheet	23.00.070
VP000013	Steel	Two way	350	In line	See datasheet	23.00.070
VP000180	Aluminium	Two way	250	In line	See datasheet	23.00.070
VP000180	Steel	Two way	350	In line	See datasheet	23.00.070
SAE-XX-2N	Aluminium	Two way, with override screw	250	In line	See datasheet	23.00.080
SAE-XX-2N	Steel	Two way, with override screw	350	In line	See datasheet	23.00.080
VP000057	Aluminium	Two way, with override screw	250	In line	See datasheet	23.00.090
VP000057	Steel	Two way, with override screw	350	In line	See datasheet	23.00.090
VP000013	Aluminium	Two way, with override screw	250	In line	See datasheet	23.00.090
VP000013	Steel	Two way, with override screw	350	In line	See datasheet	23.00.090

STANDARD MANIFOLDS

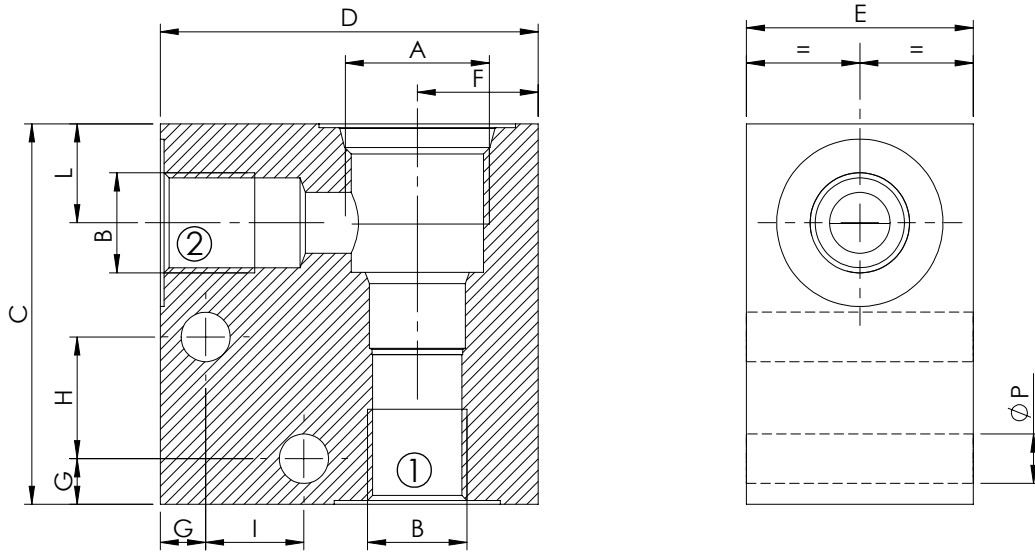
SAE-XX-2N



CAVITY	DIMENSIONS (mm)											QUICK CODE			
	A	B	C	D	E	F	G	H	I	L	M	N	P	Steel	Aluminium
SAE-08-2N	G 1/4"	50	50	30	21	12	35	9	15				7	LK000018	LK000017
	G 3/8"	50	50	30	21	12	35	9	15				7	LK000020	LK000019
	G 1/2"	50	50	35	23	12	35	9	16				7	LK000390	LK000247
	7/16-20	50	50	30	21	12	35	9	15				7		
	9/16-18	50	50	30	21	12	35	9	15				7		
SAE-10-2N	G 3/8"	60	60	35	25	15	45	7	19				7	LK000022	LK000021
	G 1/2"	60	60	35	25	15	45	7	19				7	LK000024	LK000023
	G 3/4"	60	60	40	27,5	15	45	9	20				7	LK000047	LK000046
SAE-12-2N	G 1/2"	75	80	40	35	20	60	10	26,5				9	LK000207	LK000208
	G 3/4"	75	80	40	35	20	60	10	26,5				9	LK000205	LK000206
SAE-16-2N	G 3/4"	80	90	50	37	22	60	20	26				9	LK000156	LK000157
	G 1"	80	90	50	37	22	60	20	26				9	LK000154	LK000155
SAE-20-2N															

STANDARD MANIFOLDS

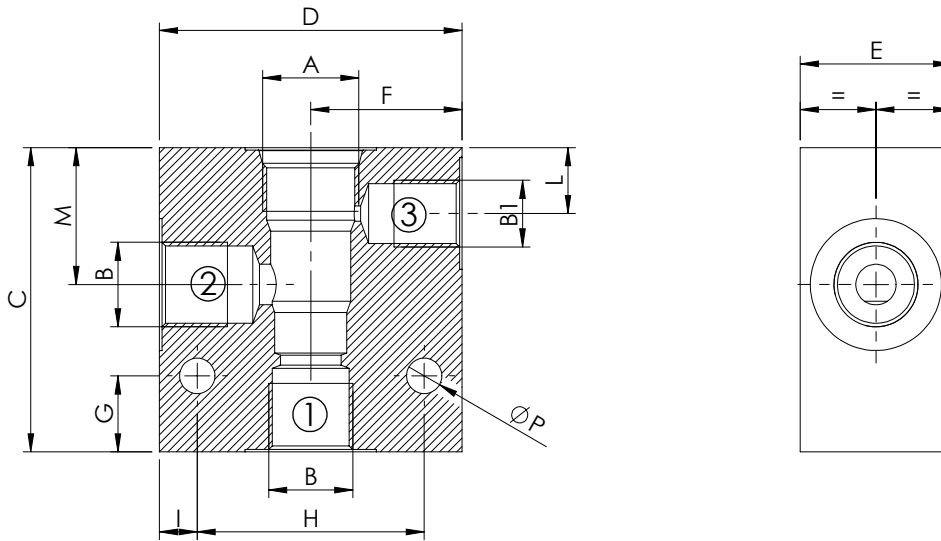
SAE-XX-2N



CAVITY	DIMENSIONS (mm)													QUICK CODE	
	A	B	C	D	E	F	G	H	I	L	M	N	P	Steel	Aluminium
SAE-08-2N		G 1/4"	50	50	30	16	6	16	13	13			6,5	LK000086	LK000005
		G 3/8"	50	50	30	16	6	16	13	13			6,5	LK000085	LK000077
		7/16-20	50	50	30	16	6	16	13	13			6,5	LK000277	LK000148
		9/16-18	50	50	30	16	6	16	13	13			6,5	LK000076	LK000278
SAE-10-2N															
SAE-12-2N															
SAE-16-2N															
SAE-20-2N															

STANDARD MANIFOLDS

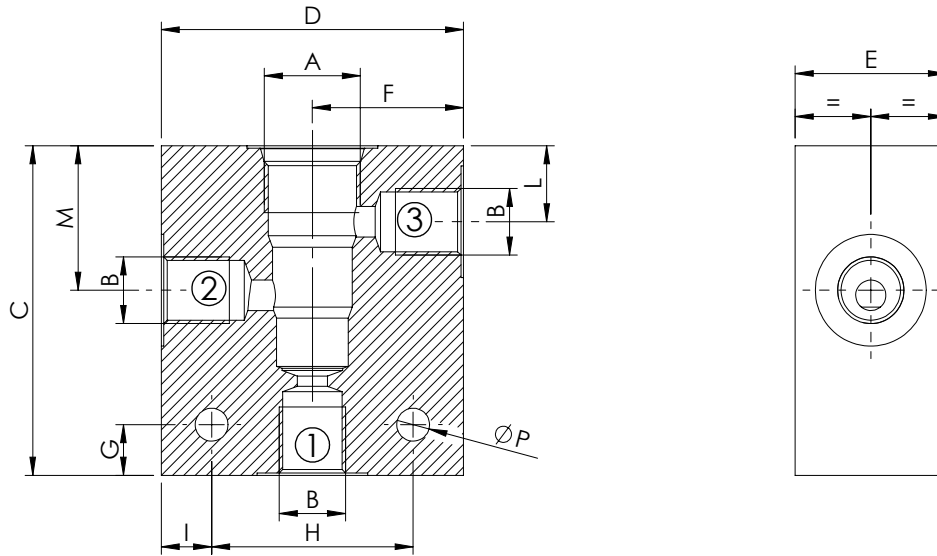
SAE-XX-3C



CAVITY	DIMENSIONS (mm)												QUICK CODE	
	A	B	B1	C	D	E	F	G	H	I	L	M	P	Steel
SAE-08-3C	G 3/8"	G 1/4"	60	60	30	30	15	45	7,5	13	27	7	LK000279	LK000033
SAE-10-3C	G 3/8"	G 1/4"	70	60	35	30	15	45	7,5	15	32	7	LK000280	LK000034
SAE-12-3C	G 1/2"	G 1/4"	80	75	40	35	15	55	10	24	42	7	LK000165	LK000164
	G 3/4"	G 1/4"	90	75	40	35	15	55	10	24	42	7	LK000210	LK000211
	7/8-14	9/16-18	80	75	40	35	15	55	10	24	42	9	LK000263	LK000262
SAE-16-3C	G 1"	G 1/4"	90	90	50	40	22	70	10	18,5	39	9	LK000212	LK000213
	G 3/4"	G 1/4"	90	80	50	38	22	60	10	18,5	39	9	LK000264	LK000265
	1 5/16-12	7/16-20	90	90	50	40	22	70	10	18,5	39	9	LK000266	LK000267
SAE-20-3C	G 1"	G 1/4"	110	100	60	45	25	75	12,5	21	51	11	LK000268	LK000269
	G 1-1/4"	G 1/4"	110	100	60	45	25	75	12,5	21	51	11	LK000270	LK000271
	1 5/8-12	7/16-20	110	100	60	45	25	75	12,5	21	51	11	LK000272	LK000273

STANDARD MANIFOLDS

SAE-XX-3N

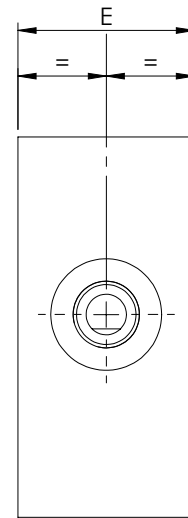
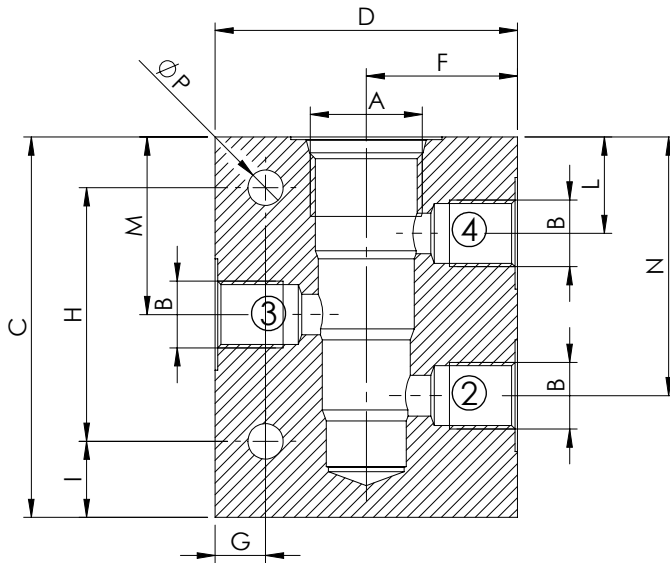


CAVITY	DIMENSIONS (mm)												QUICK CODE		
	A	B	C	D	E	F	G	H	I	L	M	N	P	Steel	Aluminium
SAE-08-3N	G 1/4"	65	60	30	30	10	40	10	15	28,5			6,5	LK000089	LK000008
	G 3/8"	65	60	30	30	10	40	10	15	28,5			6,5	LK000090	LK000009
SAE-10-3N	G 1/4"	65	65	35	32,5	10	50	7,5	18	35			6,5	LK000035	LK000012
	G 3/8"	65	65	35	32,5	10	50	7,5	18	35			7	LK000027	LK000013
	G 1/2"	70	70	35	35	15	50	10	18	34,5			7	LK000131	LK000057
SAE-12-3N	G 1/2"	100	80	40	42,5	15	55	12,5	29	54			7	LK000100	LK000281
	G 3/4"	100	80	40	40	15	55	12,5	29	54			7	LK000294	LK000295
SAE-16-3N	G 3/4"	100	90	50	45	20	60	15	26	54,5			10,5	LK000256	LK000257
SAE-20-3N															

STANDARD MANIFOLDS

SAE-XX-4N 3P

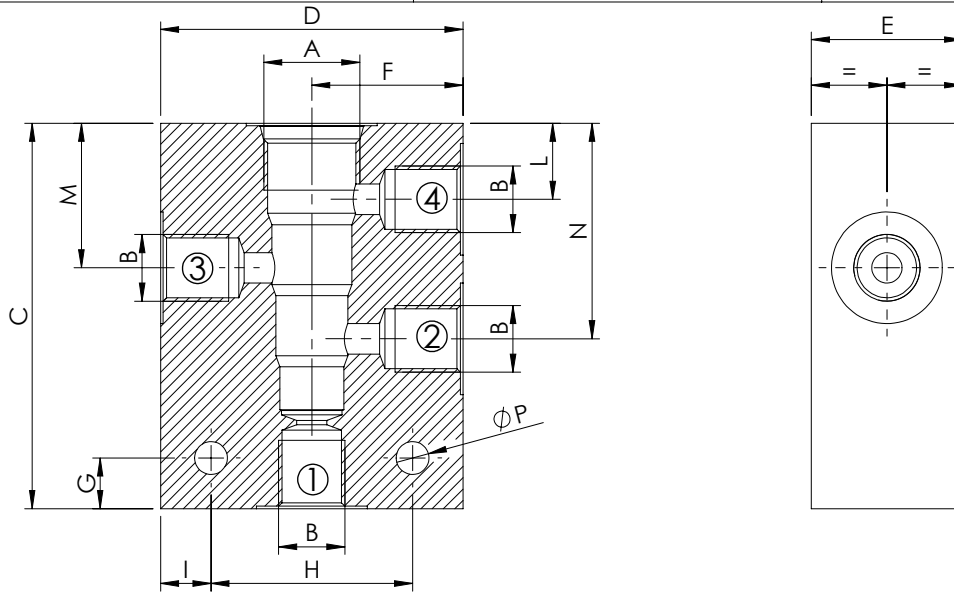
THREE PORTS



CAVITY	DIMENSIONS (mm)												QUICK CODE	
	A	B	C	D	E	F	G	H	I	L	M	N	P	Steel
SAE-08-4N	G 3/8"	75	60	35	30	10	50	15	15	29	43	7	LK000063	LK000376
SAE-10-4N	G 1/4"	75	60	35	30	10	50	15	19	35	51	7	LK000040	LK000038
	G 3/8"	75	60	35	30	10	50	15	19	35	51	7	LK000016	LK000037
	G 1/2"	85	65	35	32,5	10	50	15	19	35	51	7	LK000041	LK000039
	9/16-18	75	60	35	30	10	50	15	19	35	51	7	LK000331	LK000330
	1/4 JIS	75	60	35	30	10	50	15	19	35	51	7	LK000249	LK000367
SAE-12-4N														
SAE-16-4N	G 3/4"	120	90	50	45	12	90	15	25,5	54	82,5	8,5	LK000222	LK000225
	1 1/16 JIS	120	90	50	45	12	90	15	25,5	54	82,5	8,5	LK000223	LK000224
SAE-20-4N														

STANDARD MANIFOLDS

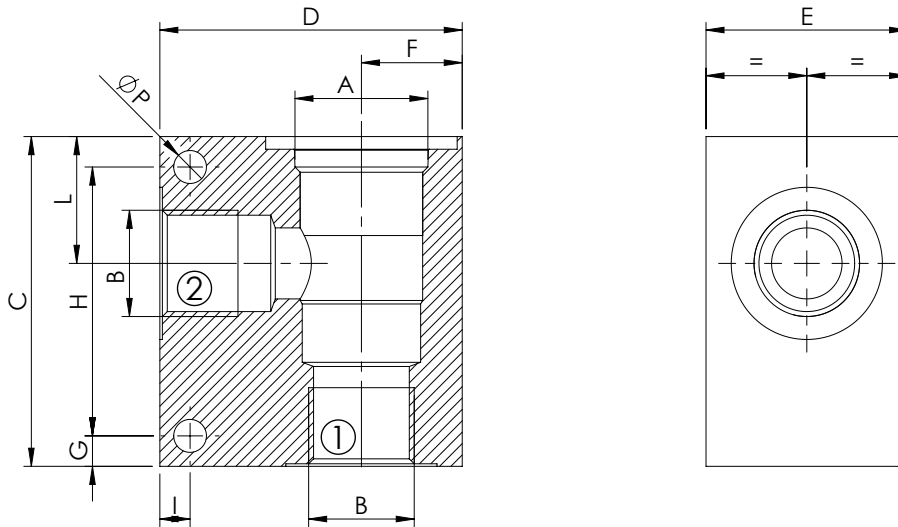
SAE-XX-4N



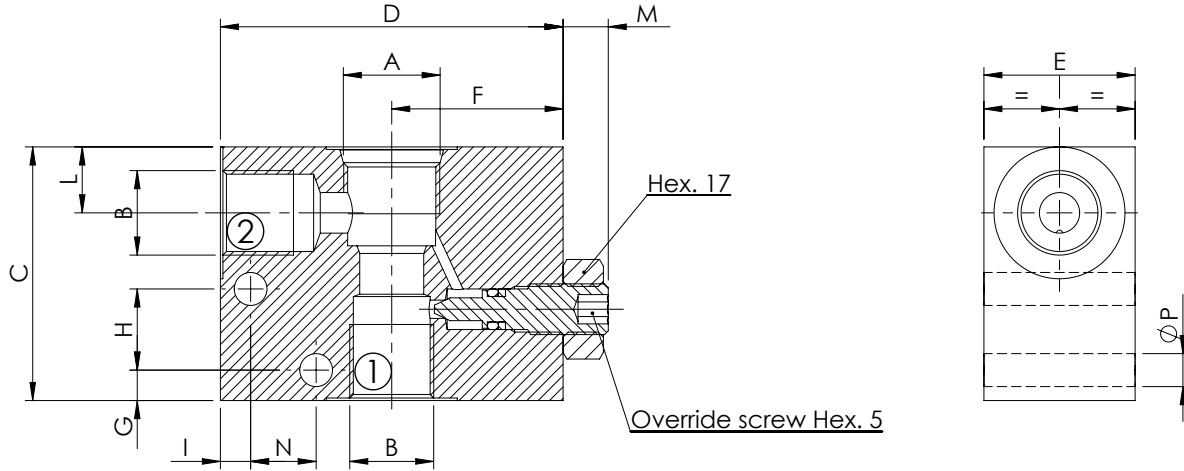
CAVITY	DIMENSIONS (mm)												QUICK CODE		
	A	B	C	D	E	F	G	H	I	L	M	N	P	Steel	Aluminium
SAE-08-4N		G 1/4"	76	60	30	30	10	40	10	15	28,5	42,5	6,5	LK000282	LK000015
		G 3/8"	76	60	30	30	10	40	10	15	28,5	42,5	6,5	LK000276	LK000014
SAE-10-4N		G 1/4"	80	65	35	32,5	10	50	7,5	18	35	50	6,5	LK000231	LK000010
		G 3/8"	85	60	35	30	15	45	7,5	19	35	51	7	LK000043	LK000011
SAE-12-4N															
SAE-16-4N															
SAE-20-4N															

STANDARD MANIFOLDS

VP000XXX



CAVITY	DIMENSIONS (mm)													QUICK CODE	
	A	B	C	D	E	F	G	H	I	L	M	N	P	Steel	Aluminium
VP000057	G 1/2"	65	60	40	20	6	53	6	25				6,5	LK000071	LK000055
	G 3/4"	65	60	40	20	6	53	6	25				6,5	LK000075	LK000065
	3/4-16	65	60	40	20	6	53	6	25				6,5	LK000275	LK000283
	7/8-14	65	60	40	20	6	53	6	25				6,5	LK000363	LK000366
	M22x1,5	65	60	40	20	6	53	6	25				6,5	LK000393	LK000392
VP000013	G 3/4"	80	80	50	26	7,5	65	7,5	31				8,5	LK000078	LK000066
	G 1"	80	80	50	26	7,5	65	7,5	31				8,5	LK000061	LK000042
VP000180	G 1-1/4"	100	90	70	35	17	75	15	39				8,5	LK000087	LK000094

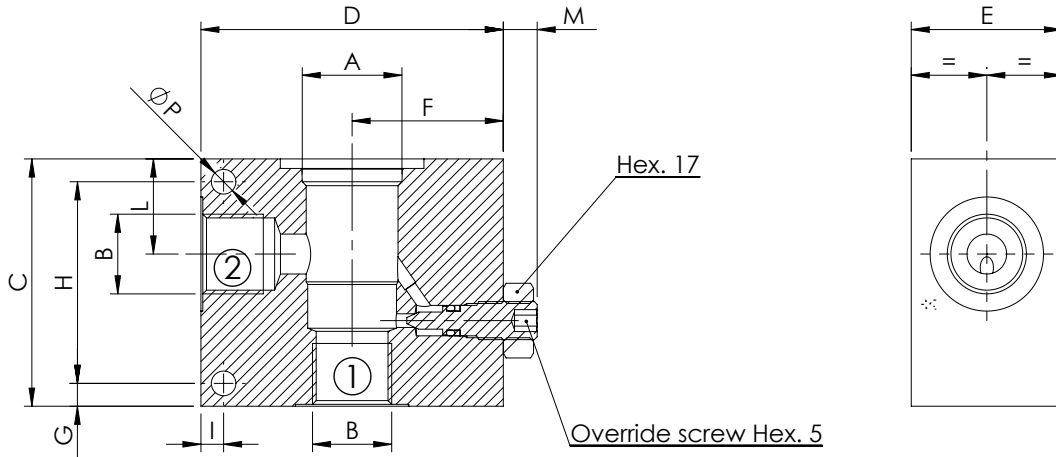


CAVITY	DIMENSIONS (mm)												QUICK CODE		
	A	B	C	D	E	F	G	H	I	L	M	N	P	Steel	Aluminium
SAE-08-2N		G 1/4"	50	68	30	34	6	16	6	13	9	13	6,5	KS000009	KS000003
		G 3/8"	50	68	30	34	6	16	6	13	9	13	6,5	KS000008	KS000002

STANDARD MANIFOLDS

VP0000XX

WITH OVERRIDE SCREW



CAVITY	DIMENSIONS (mm)												QUICK CODE		
	A	B	C	D	E	F	G	H	I	L	M	N	P	Steel	Aluminium
VP000057	G 1/2"	65	80	40	40	6	53	6	25	9			6,5	KS000007	KS000001
	G 3/4"	65	80	40	40	6	53	6	25	9			6,5	KS000010	KS000004
VP000013	G 3/4"	80	90	50	47	7,5	65	7,5	31	9			8,5	KS000012	KS000005
	G 1"	80	90	50	47	7,5	65	7,5	31	9			8,5	KS000011	KS000006