



Accessories and Spare

Section 22

SECTION 22

ACCESSORIES AND SPARE

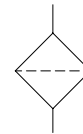
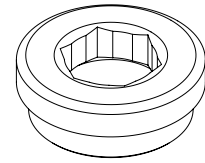
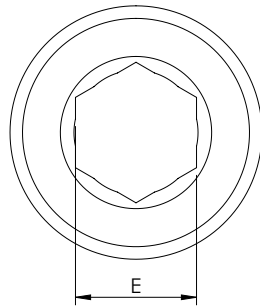
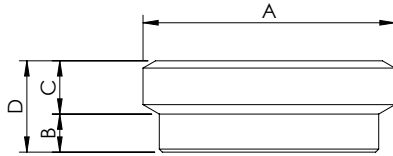


Hydraulic scheme	Valve description	Valve type	Rated flow (l/min)	Max. pressure (bar)	Installation	Main port size or cavity type	Page
	Filter G 1/4"	300 micron filtration	25	Δp 35	Insert	G1/4"	22.00.010
	Filter G 3/8"	300 micron filtration	50	Δp 35	Insert	G3/8"	22.00.010
	Filter G 1/8"	300 micron filtration	10	Δp 35	Insert	G1/8"	22.00.010
	Manual override	Detent type	-	-	Screw	-	22.00.020
	Sleeve body G 1/4"	For hose burst and check valve	-	350	In line	G1/4"	22.00.030
	Sleeve body G 3/8"	For hose burst and check valve	-	350	In line	G3/8"	22.00.030
	Sleeve body G 1/2"	For hose burst and check valve	-	350	In line	G1/2"	22.00.030
	Sleeve body G 3/4"	For hose burst and check valve	-	350	In line	G3/4"	22.00.030
	Sleeve body G 1/4"	For flow control valve	-	350	In line	G1/4"	22.00.040
	Sleeve body G 3/8"	For flow control valve	-	350	In line	G3/8"	22.00.040
	Sleeve body G 1/2"	For flow control valve	-	350	In line	G1/2"	22.00.040
	Sleeve body G 3/4"	For flow control valve	-	350	In line	G3/4"	22.00.040
	CFSN-090-PBSR-06	For flow control valve	0 - 6	350	In line	VP000132	22.00.050
	CFSN-090-PBSR-12	For flow control valve	0 - 12	350	In line	VP000132	22.00.050
	CFSN-090-PBSR-25	For flow control valve	0 - 25	350	In line	VP000132	22.00.050
	CFSN-090-PBSR-32	For flow control valve	0 - 32	350	In line	VP000132	22.00.050
	CFSN-090-PBSR-50	For flow control valve	0 - 50	350	In line	VP000132	22.00.050
	CFSN-090-PBSR-63	For flow control valve	0 - 63	350	In line	VP000132	22.00.050
	CFSN-090-PBSR-70	For flow control valve	0 - 70	350	In line	VP000132	22.00.050
	CFSN-090-PBSR-80	For flow control valve	0 - 80	350	In line	VP000132	22.00.050
	CFSN-200-BHSR	For flow control valve	-	350	In line	VP000096 VP000152	22.00.060
	CFSN-200-BVSR	For flow control valve	-	350	In line	VP000096 VP000152	22.00.060
	CFSN-200-BMSR	For flow control valve	-	350	In line	VP000096 VP000152	22.00.060
	CFSN-090-BHSR	For flow control valve	-	350	In line	VP000132	22.00.060
	CFSN-090-BVSR	For flow control valve	-	350	In line	VP000132	22.00.060
	CFSN-090-BMSR	For flow control valve	-	350	In line	VP000132	22.00.060
	CFSN-035-BHSR	For flow control valve	-	350	In line	VP000132	22.00.060
	CFSN-035-BVSR	For flow control valve	-	350	In line	VP000132	22.00.060
	CFSN-035-BMSR	For flow control valve	-	350	In line	VP000132	22.00.060
	VP000057 G 3/4"	Cavity plug	-	-	In line	VP000057	22.00.070
	VP000013 G 1"	Cavity plug	-	-	In line	VP000013	22.00.070
	SAE-08-2N	Cavity plug	-	-	In line	3/4-16 UNF-2B	22.00.080
	SAE-10-2N	Cavity plug	-	-	In line	7/8-14 UNF-2B	22.00.080
	SAE-08-3N	Cavity plug	-	-	In line	3/4-16 UNF-2B	22.00.090
	SAE-10-3N	Cavity plug	-	-	In line	7/8-14 UNF-2B	22.00.090
	SAE-08-4N	Cavity plug	-	-	In line	3/4-16 UNF-2B	22.00.100
	SAE-10-4N	Cavity plug	-	-	In line	7/8-14 UNF-2B	22.00.100
	Seal kit	Cavity Personalized	-	-	-	-	22.00.110
		Cavity SAE	-	-	-	-	22.00.120

ACCESSORIES

FILTER

SCREW IN FILTER



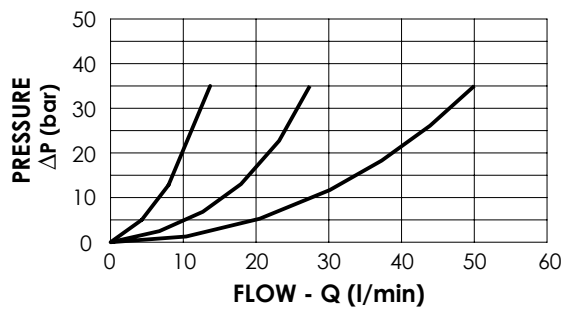
Code	A	B	C	D	E
CT000002	G 3/8"	2.5	3.5	6	8
CT000003	G 1/4"	2	3	5	6
CT000004	G 1/8"	1.6	2.2	3.8	5

SPECIFICATIONS

Max. operating Δp :	35 bar
Rated flow:	See table
Cavity:	See table
Weight:	8 g

APPLICATION LIMITATIONS

- Not suitable for use with:
- fast acting valve
 - cold oil
 - high viscosity oil
 - other conditions creating pressure drop greater than 35 bar
 - max. operatig pressure is 350 bar



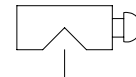
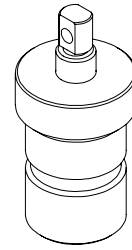
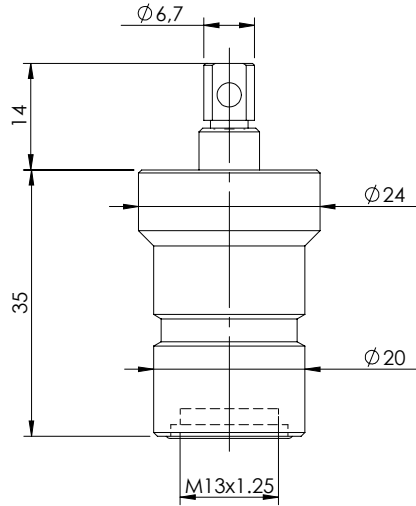
ORDERING CODES

Quick code	Description	Max. ΔP admitted (bar)	Max. flow (l/min)	Filtration (micron)	Installation torque (Nm)
CT000002	Filter G 3/8"	35	50	300	10
CT000003	Filter G 1/4"	35	25	300	5
CT000004	Filter G 1/8"	35	10	300	3

ACCESSORIES



MANUAL OVERRIDE DETENT TYPE



SPECIFICATIONS

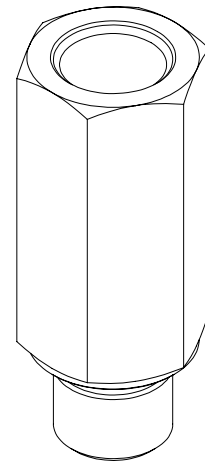
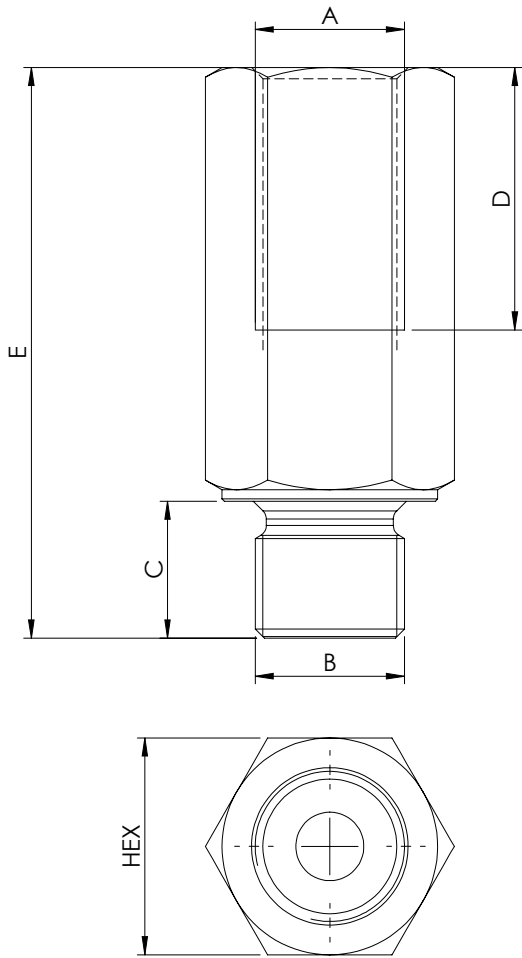
Suitable for push style override solenoid valves

ORDERING CODES

Quick code	Description	
ST000364	MANUAL OVERRIDE	

SLEEVE BODY

SLEEVE



SPECIFICATIONS

Max. operating pressure: 350 bar

Material: Zinc plated steel

NOTES

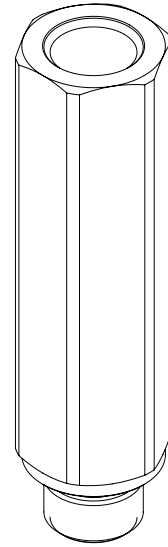
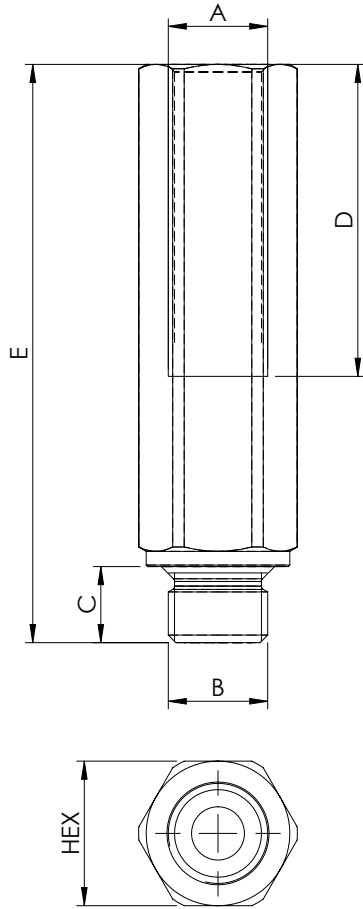
Suitable for:
-Hose burst valve
CFHN-XXX-MHST

ORDERING CODES

Quick code	A	B	C	D	E	HEX	Weight (Kg)
PC000127	G 1/4"	G 1/4"	12	23	50	19	0,07
PC000128	G 3/8"	G 3/8"	12	27	55	22	0,09
PC000129	G 1/2"	G 1/2"	14	33	63	27	0,15
PC000130	G 3/4"	G 3/4"	16	36	75	32	0,23

SLEEVE BODY

SLEEVE



SPECIFICATIONS

Max. operating pressure: 350 bar

Material: Zinc plated steel

NOTES

Suitable for:
-Flow control valves
CFST-XXX-MDST

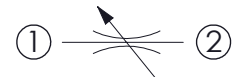
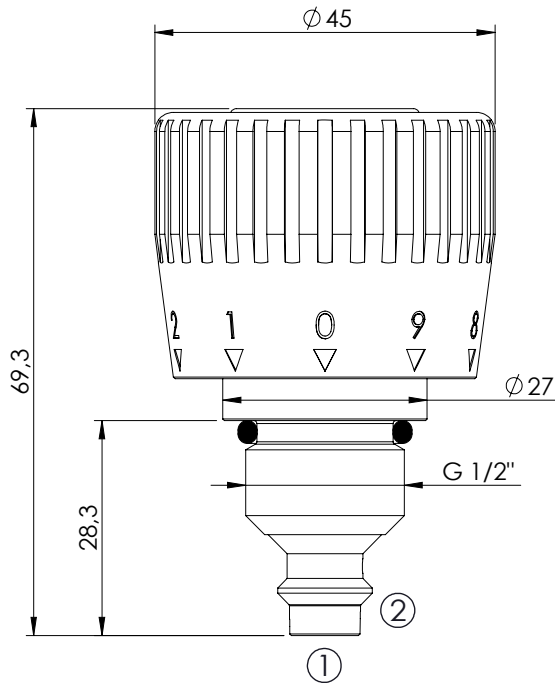
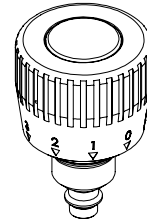
ORDERING CODES

Quick code	A	B	C	D	E	HEX	Weight (Kg)
PC000196	G 1/4"	G 1/4"	10	41	76	19	0,080
PC000197	G 3/8"	G 3/8"	12	41	82	22	0,110
PC000162	G 1/2"	G 1/2"	14	45	100	27	0,165
PC000198	G 3/4"	G 3/4"	16	55	112	32	0,250

ACCESSORIES

Kit CFSN-090-BPSR

**FLOW REGULATOR
SPARE PART**

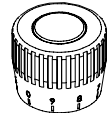


SPECIFICATIONS

Max. operating pressure:	350 bar
Rated flow:	90 l/min
Cavity:	VP000132
Weight:	0,26 kg
Installation torque:	130-140 Nm
Seal kit:	RC700132

ADJUSTMENT OPTIONS

Graduated handknob for flow regulation under pressure



NOTE

Components we be supplied partially disassembled.
Contact AFT sales network for assembling instruction

ORDERING CODES

Quick code	Description	Flow range adjustment (l/min)	Adjustment option
RF700001	Kit CFSN-090-BPSR-06-132-N350	0 - 6	Graduated handknob
RF700002	Kit CFSN-090-BPSR-12-132-N350	0 - 12	Graduated handknob
RF700003	Kit CFSN-090-BPSR-25-132-N350	0 - 25	Graduated handknob
RF700004	Kit CFSN-090-BPSR-32-132-N350	0 - 32	Graduated handknob
RF700005	Kit CFSN-090-BPSR-50-132-N350	0 - 50	Graduated handknob
RF700006	Kit CFSN-090-BPSR-63-132-N350	0 - 63	Graduated handknob
RF700007	Kit CFSN-090-BPSR-70-132-N350	0 - 70	Graduated handknob
RF700008	Kit CFSN-090-BPSR-80-132-N350	0 - 80	Graduated handknob

ACCESSORIES

FLOW CONTROL



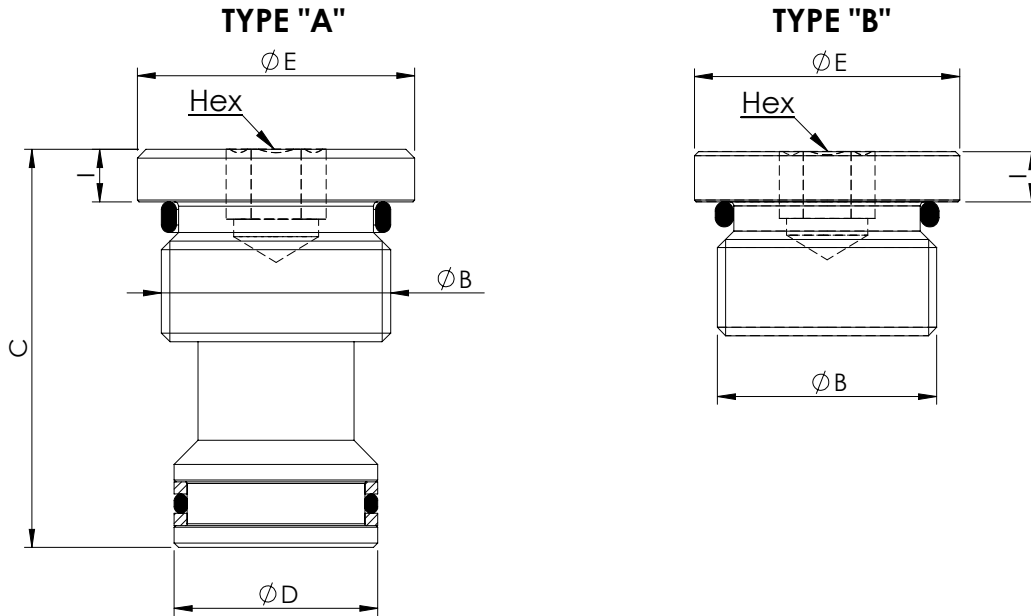
	REGULATION TYPE											
	STANDARD (G 3/4")	STANDARD (G 1/2")	FINE									
A D J U S T M E N T T Y P E	 40,3 max. Hex.30 Screw and locknut	 38 max. Hex.27 Screw and locknut	 38,8 max. Hex.27 Screw and locknut	 								
	 45 max. Ø 38 Handknob and locknut	 44 max. Ø 38 Handknob and locknut	 44,5 max. Ø 38 Handknob and locknut									
	 44,5 max. Ø 45 Graduated handknob	 41,5 max. Ø 45 Graduated handknob	 42 max. Ø 45 Graduated handknob									
R E G U L A T I O N	 31,3 G3/4" Totally closed	 24 G1/2" Totally closed	 24 G1/2" Totally closed	<p>SPECIFICATIONS</p> <table border="1"> <tr> <td>Max. operating pressure:</td> <td>350 bar</td> </tr> <tr> <td>Regulated flow:</td> <td>See table</td> </tr> <tr> <td>Cavity:</td> <td>See table</td> </tr> <tr> <td>Weight:</td> <td>0,1 kg</td> </tr> </table> <p>NOTES</p> <ul style="list-style-type: none"> -Spare parts for flow regulations parts parts in body. -Contact AFT sales network for assembling instruction. 	Max. operating pressure:	350 bar	Regulated flow:	See table	Cavity:	See table	Weight:	0,1 kg
Max. operating pressure:	350 bar											
Regulated flow:	See table											
Cavity:	See table											
Weight:	0,1 kg											

ORDERING CODES

Quick code	Description	Adjustment Options	Regulated sensivity	Max flow regulation (l/min)	Cavity	Install. torque (Nm)
CF000015	CFSN-200-BHSR-NP-096-N350	Screw and locknut	Standard (G3/4")	90 - 190	VP000096 VP000152	120-150
CF000030	CFSN-200-BVSR-NP-096-N350	Handknob and locknut	Standard (G3/4")	90 - 190	VP000096 VP000152	120-150
CF000042	CFSN-200-BMSR-NP-096-N350	Graduated handknob	Standard (G3/4")	90 - 190	VP000096 VP000152	120-150
CF000029	CFSN-090-BHSR-NP-132-N350	Screw and locknut	Standard (G1/2")	55	VP000132	75-85
CF000019	CFSN-090-BVSR-NP-132-N350	Handknob and locknut	Standard (G1/2")	55	VP000132	75-85
CF000033	CFSN-090-BMSR-NP-132-N350	Graduated handknob	Standard (G1/2")	55	VP000132	75-85
CF000036	CFSN-035-BHSR-NP-132-N350	Screw and locknut	Fine	30	VP000132	75-85
CF000037	CFSN-035-BVSR-NP-132-N350	Handknob and locknut	Fine	30	VP000132	75-85
CF000034	CFSN-035-BMSR-NP-132-N350	Graduated handknob	Fine	30	VP000132	75-85

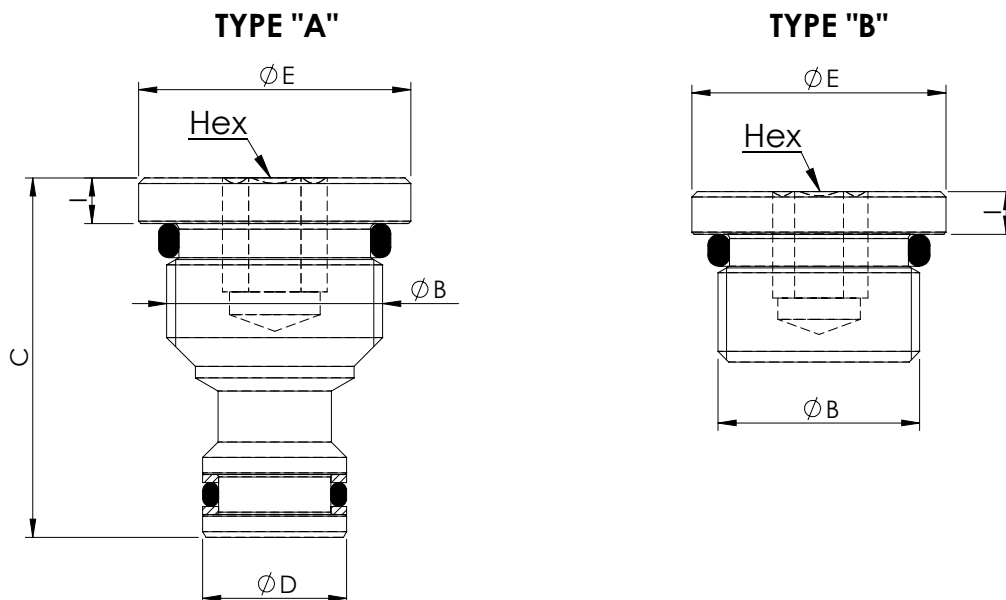
STANDARD PLUG

VP000057/VP000013

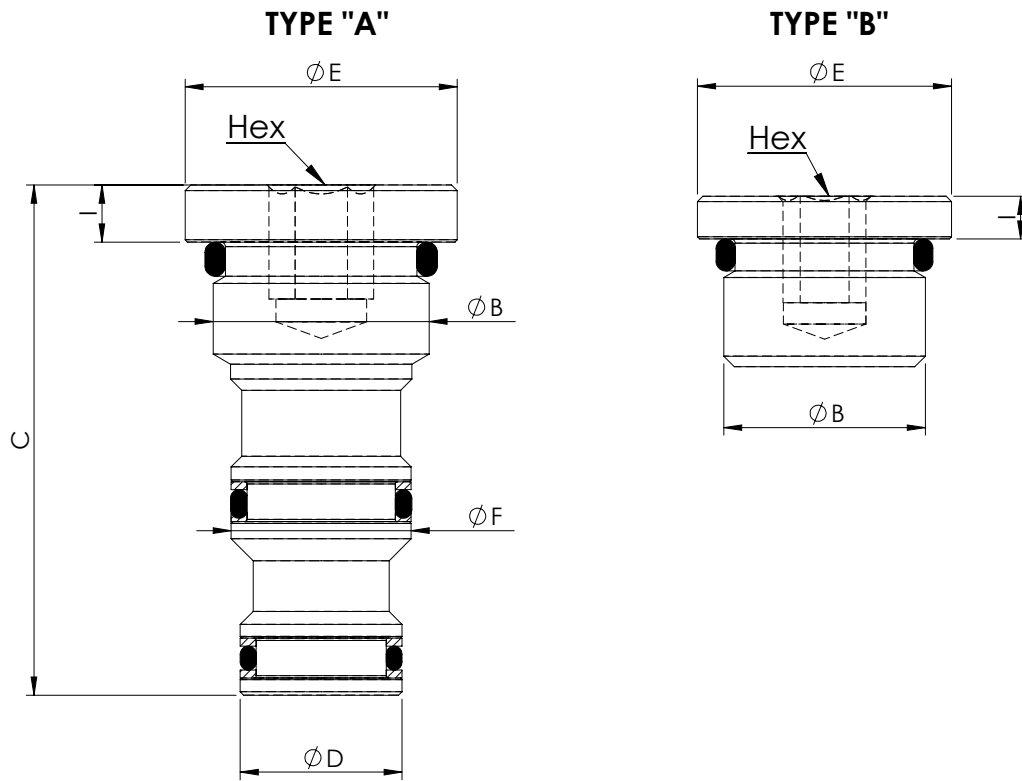


CAVITY A	DIMENSION (mm)								CODE Type " A "	TORQUE (Nm)	CODE Type " B "	TORQUE (Nm)
	B	C	D	E	F	G	Hex	I				
VP000057	G 3/4"	45,5	23,5	32			10	6	ST000259	110-130	ST000278	110-130
VP000013	G 1"	55	30	38			13	6	ST000337	135-150	ST000338	135-150

SAE-XXX-2N



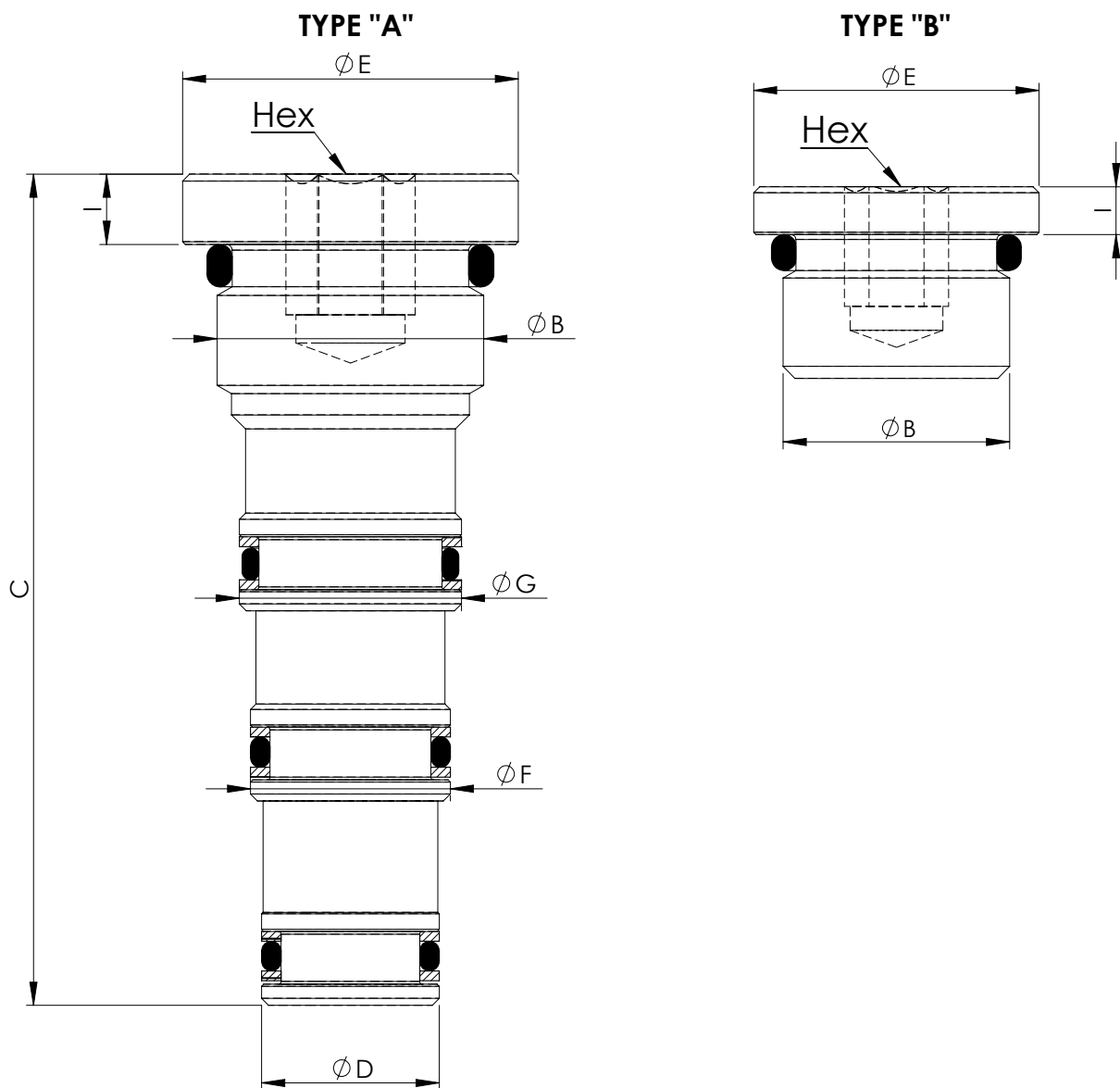
CAVITY A	DIMENSION (mm)								CODE Type " A "	TORQUE (Nm)	CODE Type " B "	TORQUE (Nm)
	B (UNF-2A)	C	D	E	F	G	Hex	I				
SAE-08-2N	3/4-16	31,5	12,7	24			8	4	ST000027	45-50	ST000331	45-50
SAE-10-2N	7/8-14	38	15,87	27			10	6	ST000332	50-55	ST000333	50-55
SAE-12-2N	1 1/16-12			32			13	6			ST000208	100-110
SAE-16-2N	1 5/16-12			38			15	6			ST000396	170-190
SAE-20-2N	1 5/8-12			46			17	6			ST000397	280-320



CAVITY A	B (UNF-2B)	DIMENSION (mm)							CODE Type "A"	TORQUE (Nm)	CODE Type "B"	TORQUE (Nm)
		C	D	E	F	G	Hex	I				
SAE-08-3N	3/4-16	44,7	14,27	24	15,87		8	5	ST000292	45-50	ST000331	45-50
SAE-10-3N	7/8-14	53	15,87	27	17,47		10	6	ST000334	50-55	ST000333	50-55
SAE-12-3N	1 1/16-12			32			13	6			ST000208	100-110
SAE-16-3N	1 5/16-12			38			15	6			ST000396	170-190
SAE-20-3N	1 5/8-12			46			17	6			ST000397	280-320

STANDARD PLUG

SAE-XXX-4N



CAVITY A	DIMENSION (mm)								CODE Type "A"	TORQUE (Nm)	CODE Type "B"	TORQUE (Nm)
	B (UNF-2B)	C	D	E	F	G	Hex	I				
SAE-08-4N	3/4-16	59	12,7	24	14,28	15,87	8	5	ST000335	45-50	ST000331	45-50
SAE-10-4N	7/8-14	68,6	15,87	27	17,47	19,05	10	6	ST000336	50-55	ST000333	50-55
SAE-12-4N	1 1/16-12			32			13	6			ST000208	100-110
SAE-16-4N	1 5/16-12			38			15	6			ST000396	170-190
SAE-20-4N	1 5/8-12			46			17	6			ST000397	280-320

SEAL KIT

SEAL KIT-STANDARD CAVITIES



CAVITY	BACKUP RING TYPE	NBR 70	NBR 90	VITON 80
SAE-08-2N	Single backup ring	RA700081	RA900081	
	Double backup ring	RB700081	RB900081	
SAE-10-2N	Single backup ring	RA700082	RA900082	
	Double backup ring	RB700082	RB900082	
SAE-12-2N	Single backup ring	RA700083	RA900083	
	Double backup ring			
SAE-16-2N	Single backup ring	RA700084	RA900084	
	Double backup ring			
SAE-20-2N	Single backup ring		RA900085	
	Double backup ring			
SAE-08-3C	Single backup ring	RA700086		
	Double backup ring			
SAE-10-3C	Single backup ring	RA700087		
	Double backup ring	RB700087		
SAE-12-3C	Single backup ring			
	Double backup ring			
SAE-16-3C	Single backup ring			
	Double backup ring			
SAE-20-3C	Single backup ring			
	Double backup ring		RB900090	
SAE-08-3N	Single backup ring			
	Double backup ring	RB700091		
SAE-10-3N	Single backup ring	RA700092		
	Double backup ring	RB700092		
SAE-12-3N	Single backup ring	RA700093		
	Double backup ring			
SAE-16-3N	Single backup ring			
	Double backup ring	RB700094		
SAE-20-3N	Single backup ring			
	Double backup ring			
SAE-08-4N	Single backup ring			
	Double backup ring	RB700101		
SAE-10-4N	Single backup ring			
	Double backup ring	RB700102		
SAE-12-4N	Single backup ring			
	Double backup ring	RB700103		
SAE-16-4N	Single backup ring			
	Double backup ring	RB700104		
SAE-20-4N	Single backup ring			
	Double backup ring			

SEAL KIT

SEAL KIT-SPECIAL CAVITIES



CAVITY	BACKUP RING TYPE	NBR 70	NBR 90	VITON 80
VP000005	Single backup ring	RC700005		
	Double backup ring			
VP000006	Single backup ring	RC700006		
	Double backup ring			
VP000008	Single backup ring	RC700008		
	Double backup ring			
VP000013	Single backup ring		RC900013	
	Double backup ring		RD900013	
VP000015	Single backup ring	RC700015		
	Double backup ring			
VP000016	Single backup ring	RC700016		
	Double backup ring			
VP000018	Single backup ring	-		
	Double backup ring	-		
VP000028	Single backup ring	RC700028		
	Double backup ring			
VP000038	Single backup ring	RC700038		
	Double backup ring			
VP000057	Single backup ring		RC900057	
	Double backup ring		RD900057	
VP000058	Single backup ring	RC700058		
	Double backup ring			
VP000065	Single backup ring		RC900065	
	Double backup ring		RD900065	
VP000070	Single backup ring	RC700070		
	Double backup ring			
VP000079	Single backup ring	-		
	Double backup ring	-		
VP000080	Single backup ring		RC900080	
	Double backup ring			
VP000086	Single backup ring	RC700086		
	Double backup ring			
VP000096	Single backup ring			
	Double backup ring			
VP000098	Single backup ring	RC700098		
	Double backup ring			
VP000120	Single backup ring			
	Double backup ring	RD700120		
VP000121	Single backup ring			
	Double backup ring	RD700121		

SEAL KIT



SEAL KIT - SPECIAL CAVITIES

CAVITY	BACKUP RING TYPE	NBR 70	NBR 90	VITON 80
VP000127	Single backup ring			
	Double backup ring		RD900127	
VP000128	Single backup ring			
	Double backup ring		RD900128	
VP000132	Single backup ring			
	Double backup ring	RC700132		
VP000154	Single backup ring		RC900154	
	Double backup ring			
VP000158	Single backup ring	-		
	Double backup ring	-		
VP000161	Single backup ring	RC700161		
	Double backup ring			
VP000165	Single backup ring	RC700165		
	Double backup ring			
VP000166	Single backup ring	RC700166		
	Double backup ring			
VP000174	Single backup ring			
	Double backup ring	RD700174		
VP000178	Single backup ring	RC700178		
	Double backup ring			
VP000180	Single backup ring			
	Double backup ring			
VP000189	Single backup ring	RC700189		
	Double backup ring			
VP000193	Single backup ring	RC700193		
	Double backup ring			
VP000198	Single backup ring			
	Double backup ring	RD700198		
VP000202	Single backup ring	-		
	Double backup ring	-		
VP000204	Single backup ring	RC700204		
	Double backup ring			
VP000216	Single backup ring	RC700216		
	Double backup ring			
VP000249	Single backup ring		RC900249	
	Double backup ring			
VP000250	Single backup ring		RC900250	
	Double backup ring			
VP000263	Single backup ring	RC700263		
	Double backup ring			

SEAL KIT

SEAL KIT - SPECIAL CAVITIES



CAVITY	BACKUP RING TYPE	NBR 70	NBR 90	VITON 80
VP000307	Single backup ring	-		
	Double backup ring	-		
VP000309	Single backup ring	-		
	Double backup ring	-		
VP000310	Single backup ring	-		
	Double backup ring	-		
VP000311	Single backup ring	-		
	Double backup ring	-		
VP000312	Single backup ring	-		
	Double backup ring	-		
VP000314	Single backup ring	RC700314		
	Double backup ring			
VP000330	Single backup ring	RC700330		
	Double backup ring			
VP000338	Single backup ring			
	Double backup ring	RD700338		
VP000371	Single backup ring	RC700371		
	Double backup ring			
VP000445	Single backup ring	RC700445		
	Double backup ring			