



Coils and Connectors

Section 21

SECTION 21



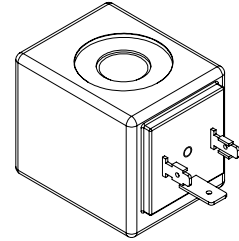
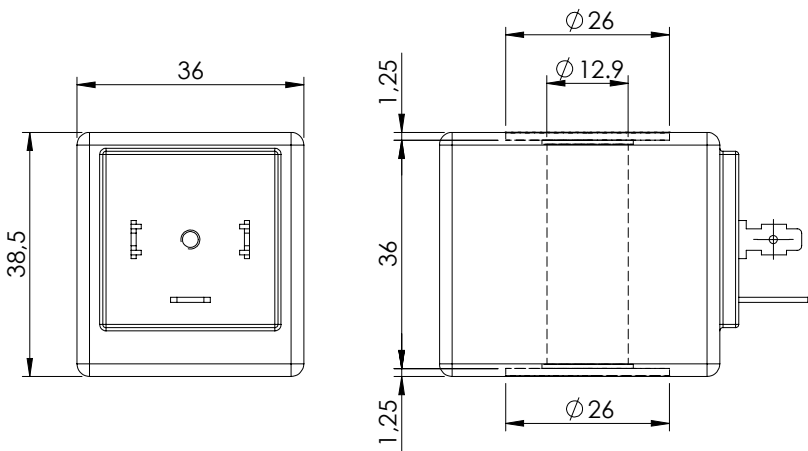
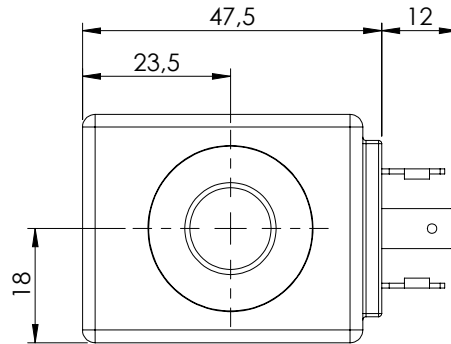
COILS AND CONNECTORS

Description	Type	Heat insulation class	Connector	Page
Coil M7 HS	M7 - For solenoid operated cartridge valve	H - 180°C	EN 175301-803 - DIN 43650 - ISO 4400	21.00. 010
Coil M7 HS	M7 - For solenoid operated cartridge valve - RAC	H - 180°C	EN 175301-803 - DIN 43650 - ISO 4400	21.00. 020
Coil M7 AJ	M7 - For solenoid operated cartridge valve	H - 180°C	Amp Junior	21.00. 030
Coil M7 DT	M7 - For solenoid operated cartridge valve	H - 180°C	Deutsch - DT04-2P-L	21.00. 040
Coil M7 DT	M7 - For solenoid operated cartridge valve	H - 180°C	Deutsch - DT04-2P-V	21.00. 050
Coil M14 HS	M14 - For solenoid operated cartridge valve	H - 180°C	EN 175301-803 - DIN 43650 - ISO 4400	21.00. 060
Coil M14 DT	M14 - For solenoid operated cartridge valve	H - 180°C	Deutsch - DT04-2P-V	21.00. 070
Coil M15 HS	M15 - For proportional solenoid operated cartridge valve	H - 180°C	EN 175301-803 - DIN 43650 - ISO 4400	21.00. 080
Coil M8 HS	M8 - For Ø19 tube diverter valve	H - 180°C	EN 175301-803 - DIN 43650 - ISO 4400	21.00. 090
Coil M11 HS	M11 - For Ø22 tube diverter valve	H - 180°C	EN 175301-803 - DIN 43650 - ISO 4400	21.00. 100
DIN Connector	IP67 - Standard / with VDR / with rectifier	-	EN 175301-803 - DIN 43650 - ISO 4400	21.00. 110

COIL

COIL SERIES M7

DIN 43650 - ISO 4400
CLASS H



SPECIFICATIONS

Heat insulation: Class H (180°C)

Ambient temperature: See graph

Inlet voltage: See graph

Insulation class: IP65 with all seals properly mounted

Weight: 0,217 kg

NOTES

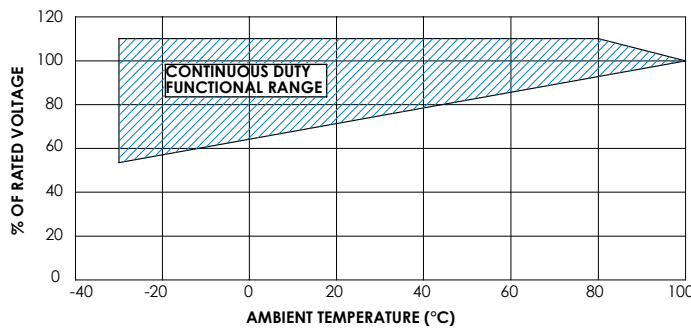
ED 100% in the functional range area.

Do not exceed the functional range.

For applications with working range close to graph limit please contact AFT sales network.

The seals supplied with the valve must be properly mounted.

Please refer to catalogue technical chapter for more info.



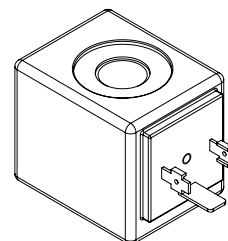
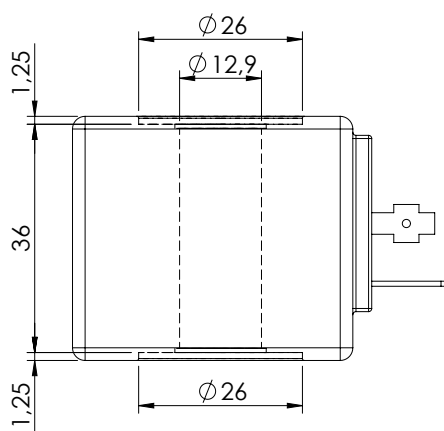
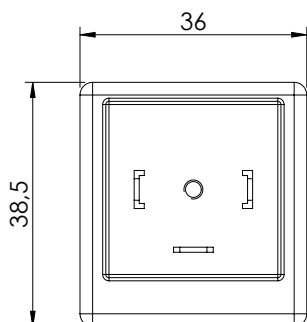
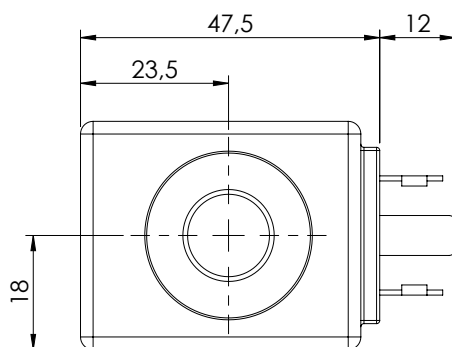
ORDERING CODES

Quick code	Description	Connection type	Voltage (V)	Resistance (Ω) $\pm 7\%$	Power (w)	Current (A)
AB000002	Coil M7 HS 12V CLASS H	DIN 43650-ISO 4400	12 DC	7,2	20	1,67
AB000018	Coil M7 HS 14V CLASS H	DIN 43650-ISO 4400	14 DC	9,8	20	1,43
AB000003	Coil M7 HS 24V CLASS H	DIN 43650-ISO 4400	24 DC	28,8	20	0,83
AB000004	Coil M7 HS 26V CLASS H	DIN 43650-ISO 4400	26 DC	33,8	20	0,77
AB000043	Coil M7 HS 10.5V CLASS H	DIN 43650-ISO 4400	10.5 DC	5,5	20	1,90
AB000046	Coil M7 HS 48V CLASS H	DIN 43650-ISO 4400	48 DC	115,2	20	0,42

COIL

COIL SERIES M7

DIN 43650 - ISO 4400
RAC CLASS H



SPECIFICATIONS

Heat insulation:	Class H (180°C)
Ambient temperature	See graph
Inlet voltage	See graph
Insulation class:	IP65 with all seals properly mounted
Weight:	0,217 kg

NOTES

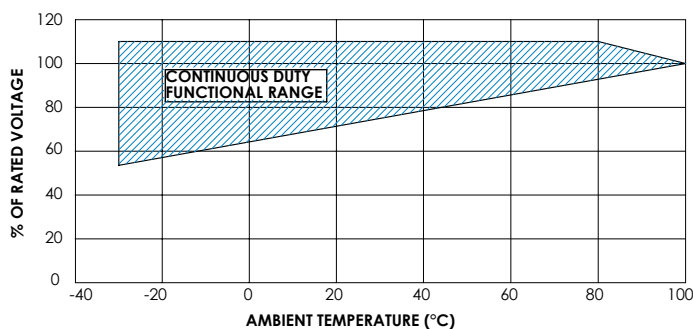
ED 100% in the functional range area.

Do not exceed the functional range.

For applications with working range close to graph limit please contact AFT sales network.

The seals supplied with the valve must be properly mounted.

Please refer to catalogue technical chapter for more info.



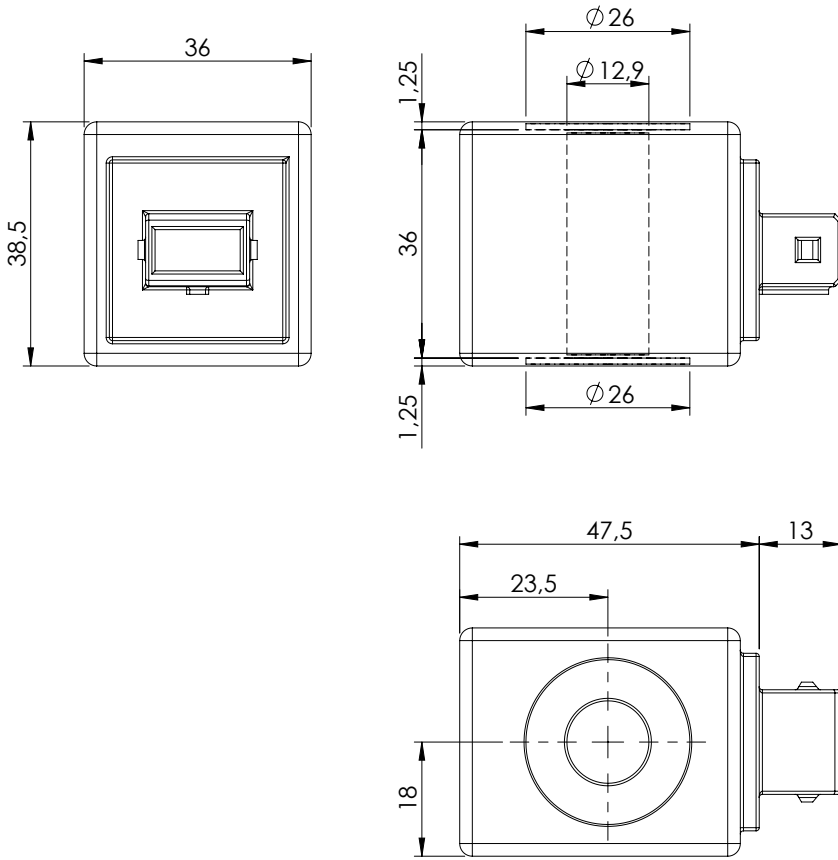
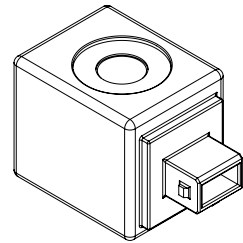
ORDERING CODES

Quick code	Description	Connection type	Voltage (V)	Resistance (Ω) $\pm 7\%$	Power (w)	Current (A)
AB000011	Coil M7 HS 24V RAC Class H	DIN 43650-ISO 4400	24 RAC	23,1	20	0,9
AB000012	Coil M7 HS 110V RAC Class H	DIN 43650-ISO 4400	110 RAC	605	20	0,18
AB000007	Coil M7 HS 220V RAC Class H	DIN 43650-ISO 4400	220 RAC	2140	20	0,09

COIL

COIL SERIES M7

AMP JUNIOR
CLASS H



SPECIFICATIONS

Heat insulation: Class H (180°C)

Ambient temperature See graph

Inlet voltage See graph

Insulation class: IP65 with all seals properly mounted

Weight: 0,217 kg

NOTES

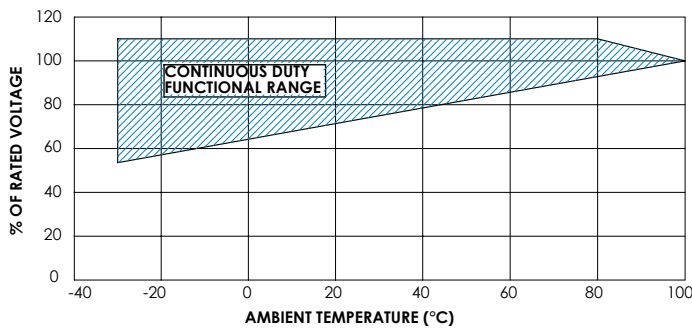
ED 100% in the functional range area.

Do not exceed the functional range.

For applications with working range close to graph limit please contact AFT sales network.

The seals supplied with the valve must be properly mounted.

Please refer to catalogue technical chapter for more info.



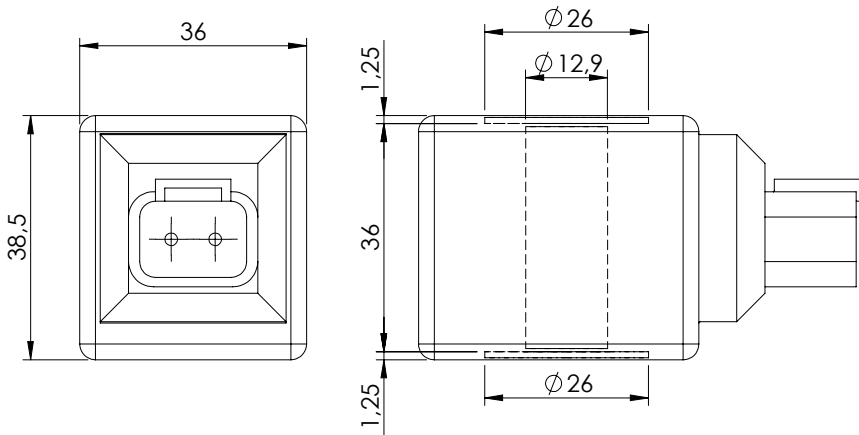
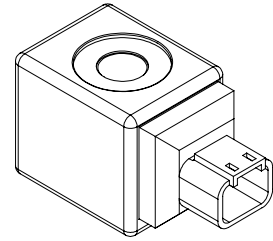
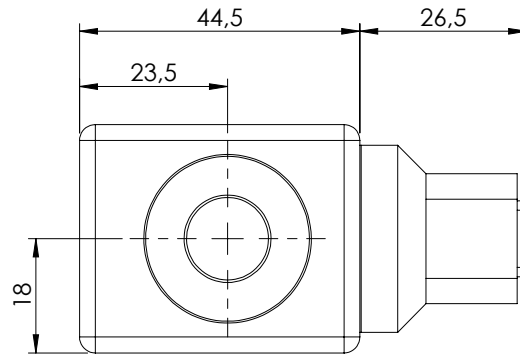
ORDERING CODES

Quick code	Description	Connection type	Voltage (V)	Resistance (Ω) $\pm 7\%$	Power (w)	Current (A)
AB000005	Coil M7 AJ 12V CLASS H	AMP JUNIOR	12 DC	7,2	20	1,67
AB000014	Coil M7 AJ 24V CLASS H	AMP JUNIOR	24 DC	28,8	20	0,83
AB000010	Coil M7 AJ 26V CLASS H	AMP JUNIOR	26 DC	33,8	20	0,77

COIL

COIL SERIES M7

DEUTSCH DT04-2P-L
CLASS H



SPECIFICATIONS

Heat insulation: Class H (180°C)

Ambient temperature See graph

Inlet voltage See graph

Insulation class: IP69K with all seals properly mounted

Weight: 0,217 kg

NOTES

Equipped with bi-directional diode.

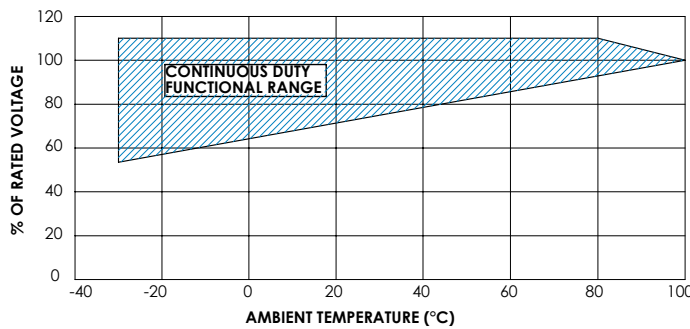
ED 100% in the functional range area.

Do not exceed the functional range.

For applications with working range close to graph limit please contact AFT sales network.

The seals supplied with the valve must be properly mounted.

Please refer to catalogue technical chapter for more info.



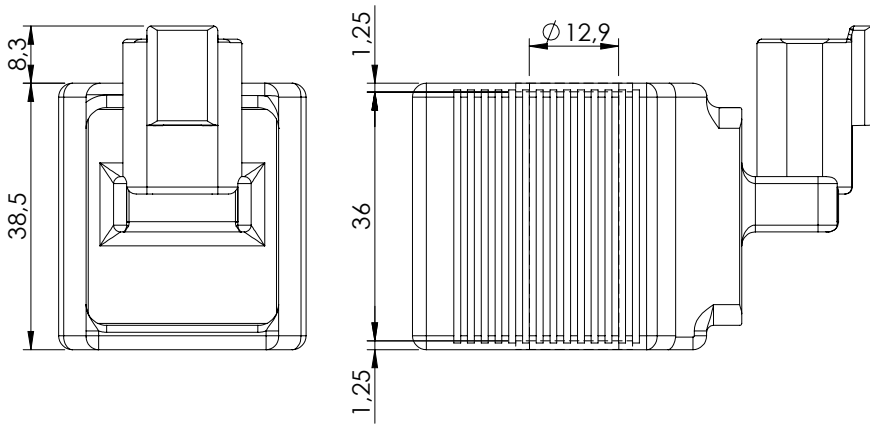
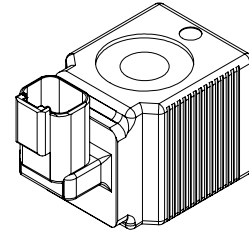
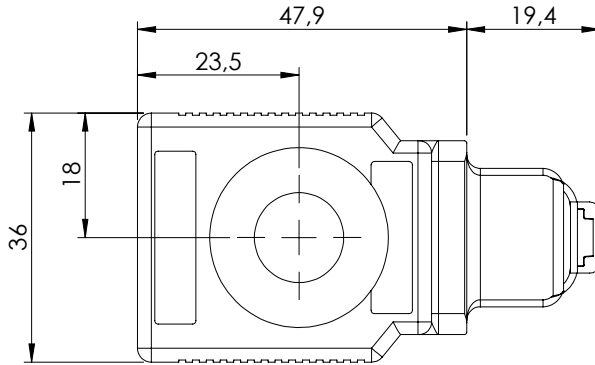
ORDERING CODES

Quick code	Description	Connection type	Voltage (V)	Resistance (Ω) \pm 7%	Power (w)	Current (A)
AB000001	Coil M7 DT 12V CLASS H	DT04-2P-L	12 DC	7,2	20	1,67
AB000008	Coil M7 DT 24V CLASS H	DT04-2P-L	24 DC	28,8	20	0,83

COIL

COIL SERIES M7

DEUTSCH DT04-2P-V
CLASS H



SPECIFICATIONS

Heat insulation: Class H (180°C)

Ambient temperature See graph

Inlet voltage See graph

Insulation class: IP69K with all seals properly mounted

Weight: 0,217 kg

NOTES

Equipped with bi-directional diode.

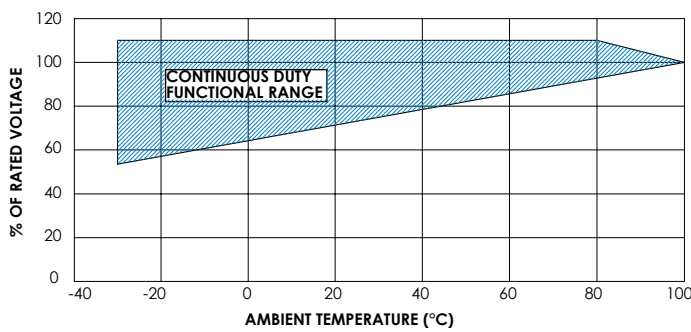
ED 100% in the functional range area.

Do not exceed the functional range.

For applications with working range close to graph limit please contact AFT sales network.

The seals supplied with the valve must be properly mounted.

Please refer to catalogue technical chapter for more info.



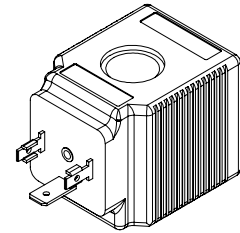
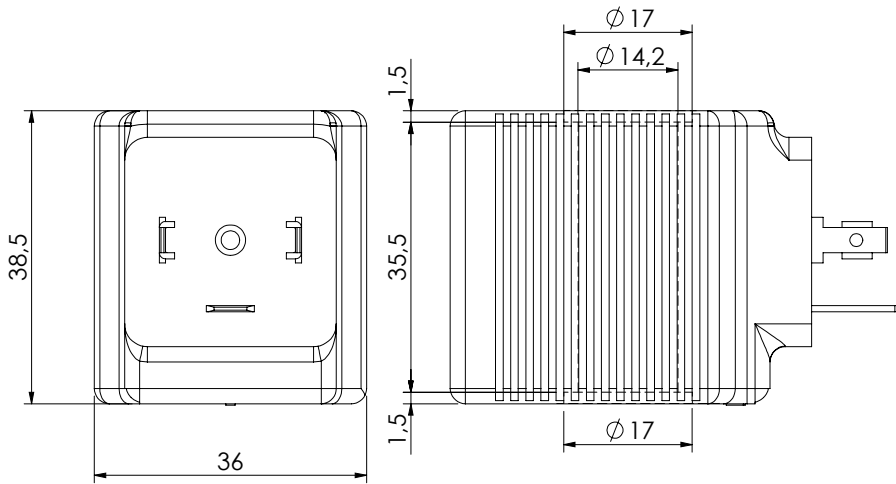
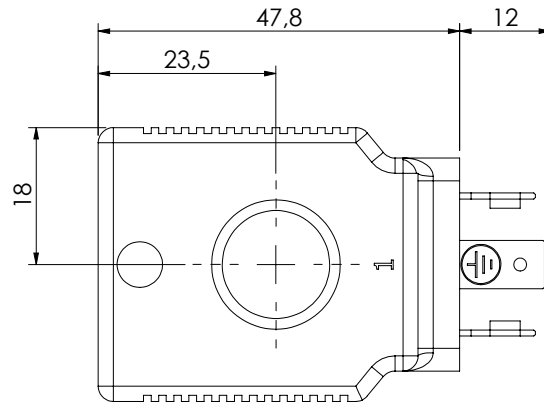
ORDERING CODES

Quick code	Description	Connection type	Voltage (V)	Resistance (Ω) $\pm 7\%$	Power (w)	Current (A)
AB000022	Coil M7 DTV 12V CLASS H	DT04-2P-V	12 DC	7,2	20	1,67
AB000023	Coil M7 DTV 24V CLASS H	DT04-2P-V	24 DC	28,8	20	0,83
AB000024	Coil M7 DTV 26V CLASS H	DT04-2P-V	26 DC	33,8	20	0,77

COIL

COIL SERIES M14

DIN 43650 - ISO 4400
CLASS H



SPECIFICATIONS

Heat insulation class H	180°C
Ambient temperature	-20 + 50°C
Inlet voltage	±10% tol.
Insulation class IP65 with all seals properly mounted	
Weight:	0,20 kg

NOTES

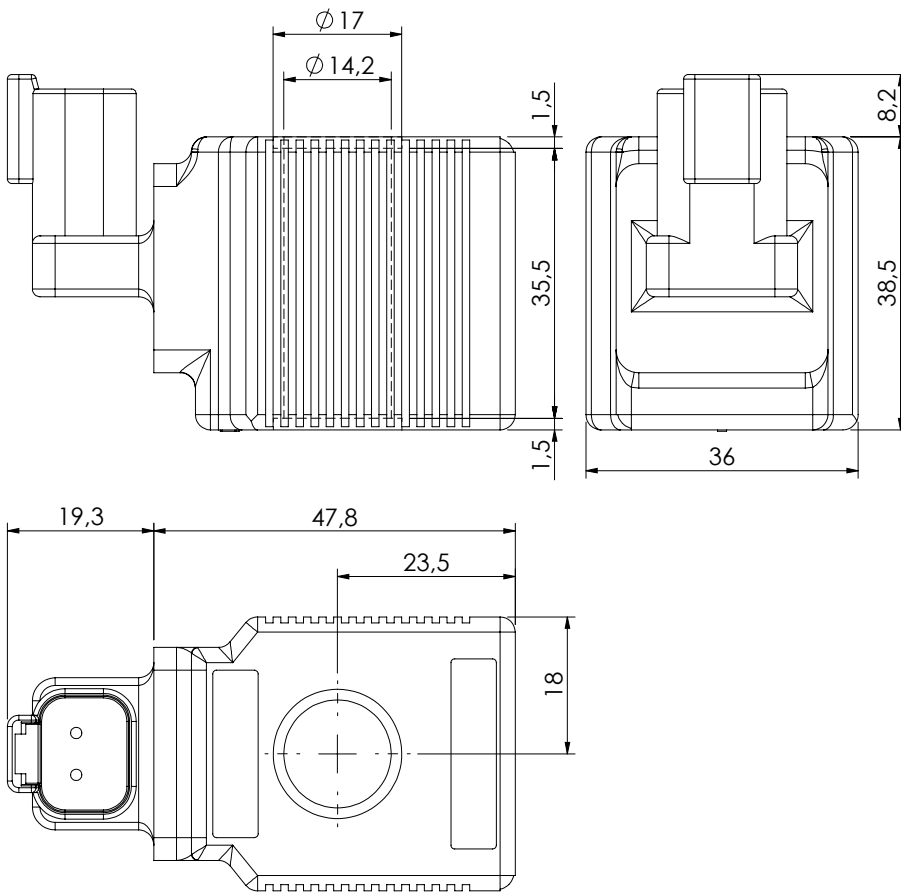
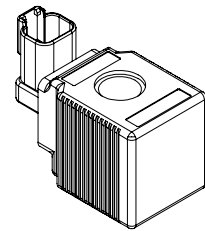
ORDERING CODES

Quick code	Description	Connector type	Voltage (V)	Resistance (Ω) ±7%	Power (w)	Current (A)
AB000143	Coil M14 HS 12V CLASS H	DIN 43650-ISO 4400	12 DC	5,53	26	2,17
AB000145	Coil M14 HS 13V CLASS H	DIN 43650-ISO 4400	13 DC	6,5	26	2,00
AB000144	Coil M14 HS 24V CLASS H	DIN 43650-ISO 4400	24 DC	22,15	26	1,08

COIL

COIL SERIES M14

DEUTSCH DT04-2P-V
CLASS H



SPECIFICATIONS

Heat insulation class H	180°C
Ambient temperature	-20 + 50°C
Inlet voltage	±10% tol.
Insulation class IP69K with all seals properly mounted	
Weight:	0,20 kg

NOTES

With bi-directional diode

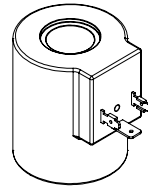
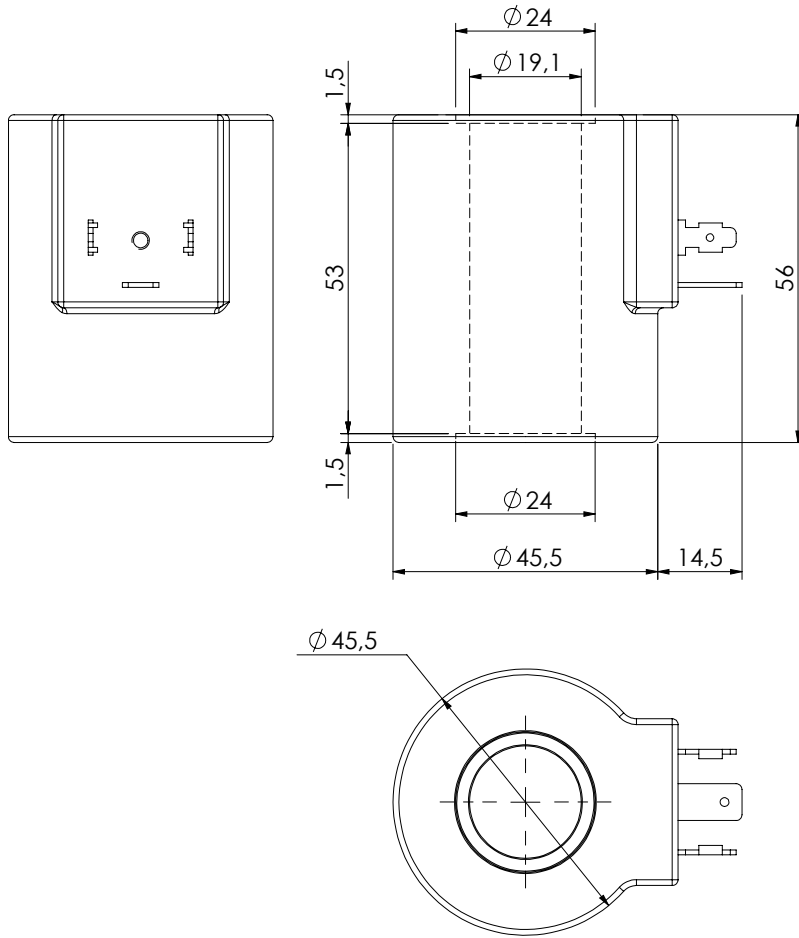
ORDERING CODES

Quick code	Description	Connector type	Voltage (V)	Resistance (Ω) ±7%	Power (w)	Current (A)
AB000132	Coil M14 DTV 12V CLASS H	DT04-2P-V	12 DC	5,53	26	2,17
AB000133	Coil M14 DTV 24V CLASS H	DT04-2P-V	24 DC	22,15	26	1,08
AB000211	Coil M14 DTV 26V CLASS H	DT04-2P-V	26 DC	26	26	1

COIL

COIL SERIES M15

DIN 43650 - ISO 4400
CLASS H



SPECIFICATIONS

Heat insulation class H	180°C
Ambient temperature	-20 + 50°C
Inlet voltage	±10% tol.
Insulation class IP65 with all seals properly mounted	
Weight:	0,329 kg

NOTES

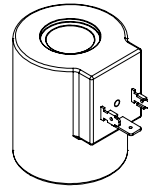
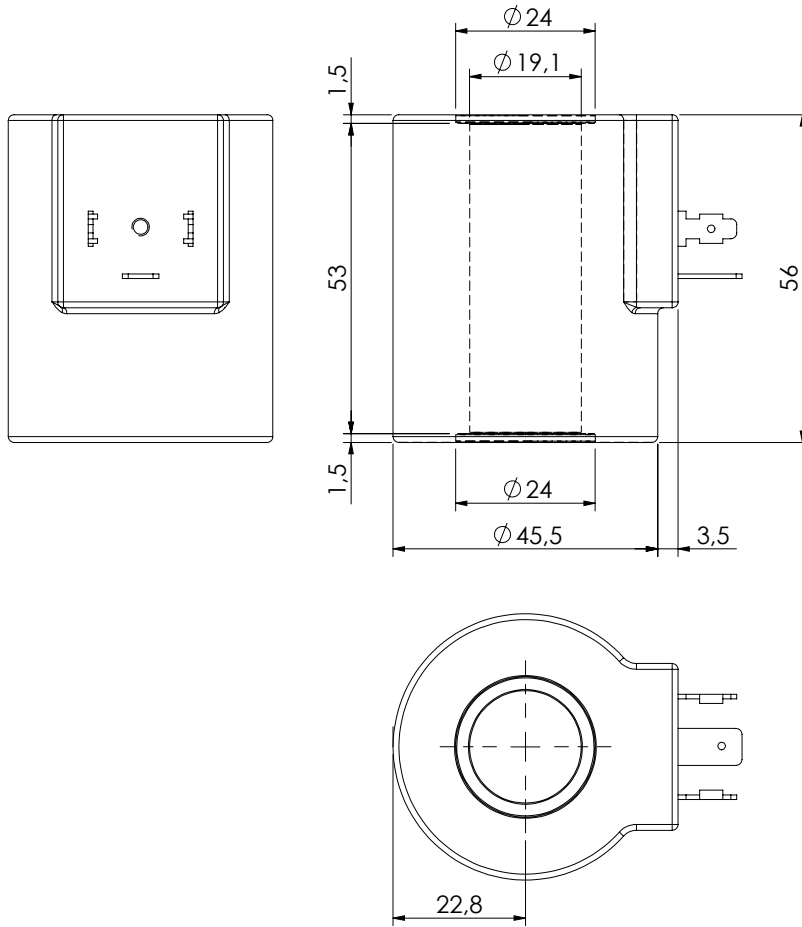
ORDERING CODES

Quick code	Description	Connector type	Voltage (V)	Resistance (Ω) ±7%	Power (w)	Current (A)
AB000137	Coil M15 HS 12V CLASS H	DIN 43650-ISO 4400	12 DC	6.26	23	1.92
AB000138	Coil M15 HS 24V CLASS H	DIN 43650-ISO 4400	24 DC	25.05	23	0.96

COIL

COIL SERIES M8

DIN 43650 - ISO 4400
CLASS H



SPECIFICATIONS

Heat insulation class H	180°C
Ambient temperature	-20 + 50°C
Inlet voltage	±10% tol.
Insulation class IP65 with all seals properly mounted	
Weight:	0,329 kg

NOTES

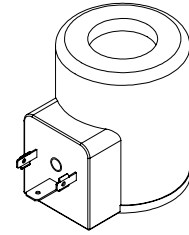
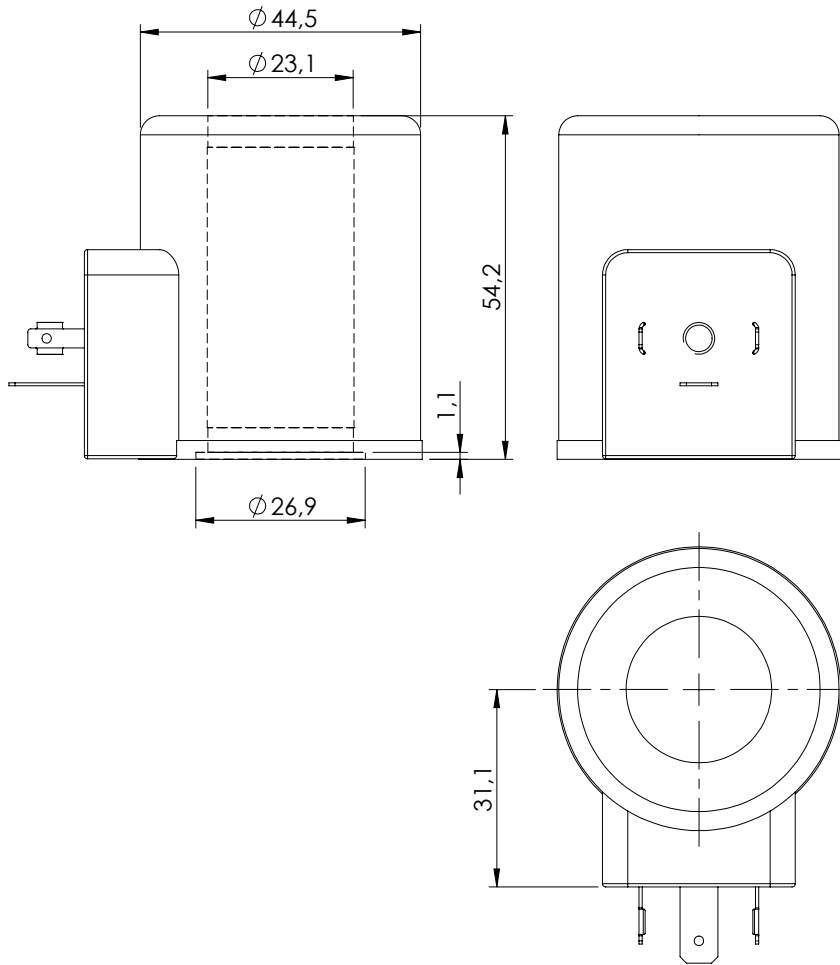
ORDERING CODES

Quick code	Description	Connector type	Voltage (V)	Resistance (Ω) ±7%	Power (w)	Current (A)
AB000015	Coil M8 HS 12V CLASS H	DIN 43650-ISO 4400	12 DC	4.4	33 W	2.75
AB000029	Coil M8 HS 24V CLASS H	DIN 43650-ISO 4400	24 DC	17.5	33 W	1.38
AB000159	Coil M8 HS 14V CLASS H	DIN 43650-ISO 4400	14 DC	5.94	33 W	2.36
AB000160	Coil M8 HS 26V CLASS H	DIN 43650-ISO 4400	26 DC	20.48	33 W	1.27
AB000158	Coil M8 HS 48V CLASS H	DIN 43650-ISO 4400	48 DC	69.81	33 W	0.69

COIL

COIL SERIES M11

DIN 43650 - ISO 4400
CLASS H



SPECIFICATIONS

Heat insulation class H	180°C
Ambient temperature	-20 + 50°C
Inlet voltage	±10% tol.
Insulation class IP65 with all seals properly mounted	
Weight:	0,350 kg

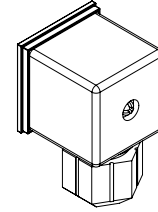
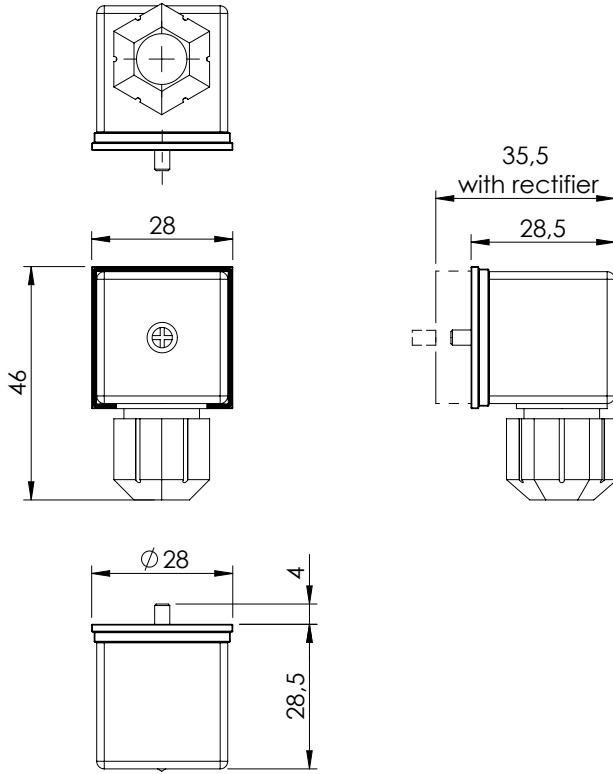
NOTES

ORDERING CODES

Quick code	Description	Connection type	Voltage (V)	Resistance (Ω) \pm 7%	Power (w)	Current (A)
AB000149	Coil M11 HS 12V CLASS H	DIN 43650-ISO 4400	12 DC	3.27	44	3.67
AB000150	Coil M11 HS 24V CLASS H	DIN 43650-ISO 4400	24 DC	13.09	44	1.83

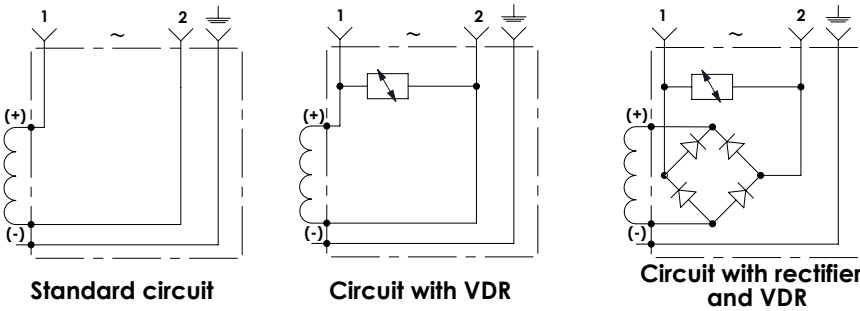
CONNECTOR

DIN CONNECTOR



SPECIFICATIONS

Voltage rating:	AC: up to 250 V Max. DC: up to 300 V Max.
Max. Current	16.0 A
Contact resistance:	≤ 4 mΩ
Max. conductor:	1.5 mm ²
Cable range	Ø4.0 to Ø9.0 mm
Protection class:	IP67 EN60529
Seal:	Nitrile rubber
Poles:	2 + ground
Connector:	EN 175301-803 (DIN 43650)



ORDERING CODES

Quick code	Colour	VDR	LED	Rectifier	Voltage
PV000171	Black	No	No	No	12V to 230V
PV000195	Black	Yes	No	No	12V DC
PV000349	Black	Yes	No	No	24V DC
PV000347	Black	Yes	No	Yes	12V RAC
PV000198	Transparent	Yes	Yes	No	12V DC
PV000348	Black	Yes	No	Yes	24V RAC
PV000196	Transparent	Yes	Yes	No	24V DC
PV000199	Black	Yes	No	Yes	230V RAC
PV000243	Transparent	Yes	Yes	No	230V DC