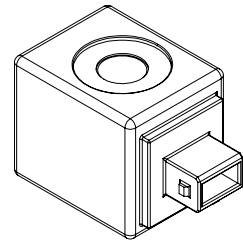
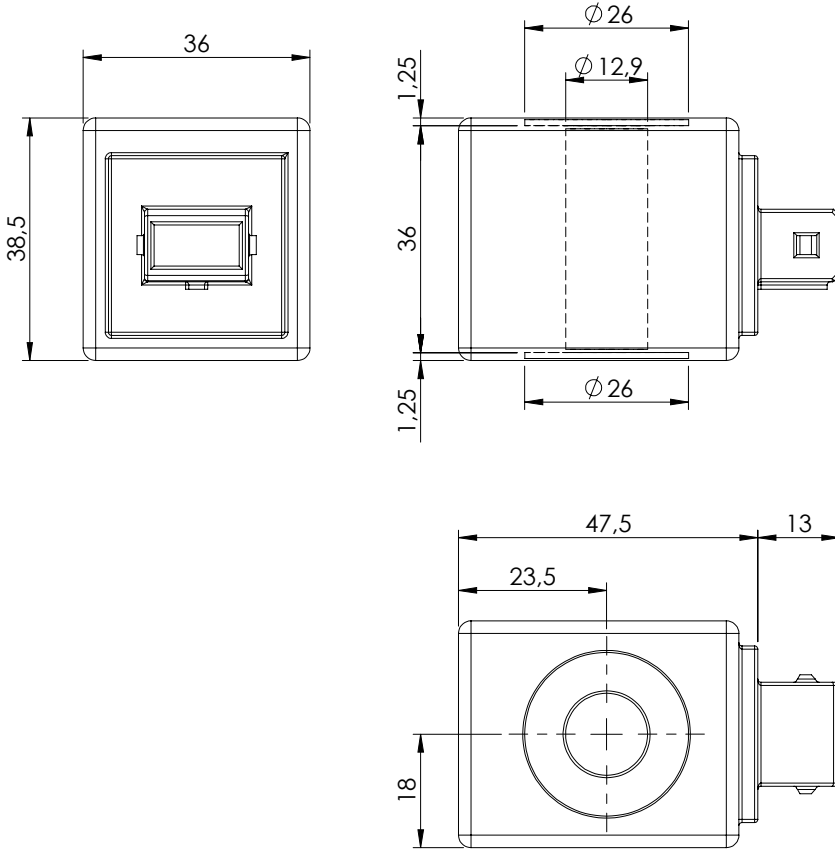


COIL

COIL SERIES M7

AMP JUNIOR
CLASS H



SPECIFICATIONS

Heat insulation class H	180°C
Ambient temperature	-30 + 60°C
Inlet voltage	±10% tol.
Insulation class IP69K with all seals properly mounted	
Weight:	0,18 kg

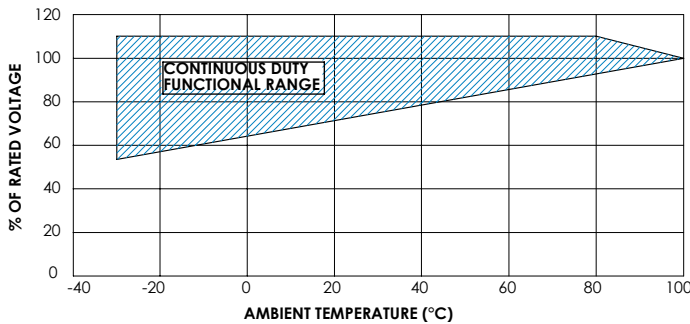
NOTES

ED 100% in the functional range area.
Do not exceed the functional range.

For applications with working range close to graph limit please contact AFT sales network.

The seals supplied with the valve must be properly mounted.

Please refer to catalogue technical chapter for more info.



ORDERING CODES

Quick code	Description	Connector type	Voltage (V)	Resistance (Ω) ±7%	Power (w)	Current (A)
AB000005	Coil M7 AJ 12V CLASS H	AMP JUNIOR	12 DC	7,2	20	1,67
AB000014	Coil M7 AJ 24V CLASS H	AMP JUNIOR	24 DC	28,8	20	0,83
AB000010	Coil M7 AJ 26V CLASS H	AMP JUNIOR	26 DC	33,8	20	0,77