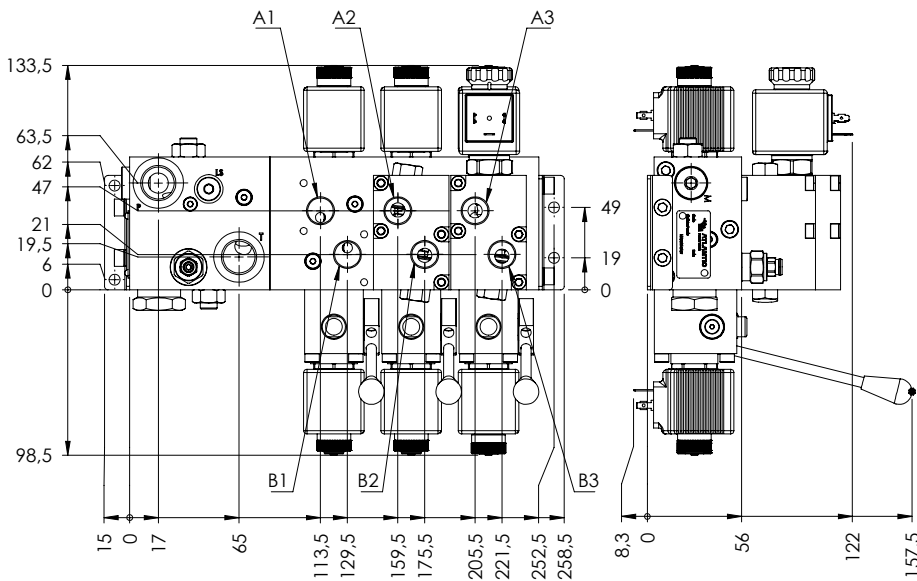
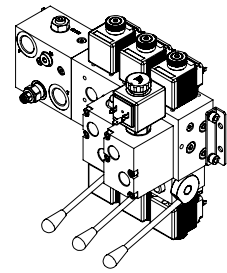


**SALT SPRAYER VALVE**

**EBLE-040-CCLM**

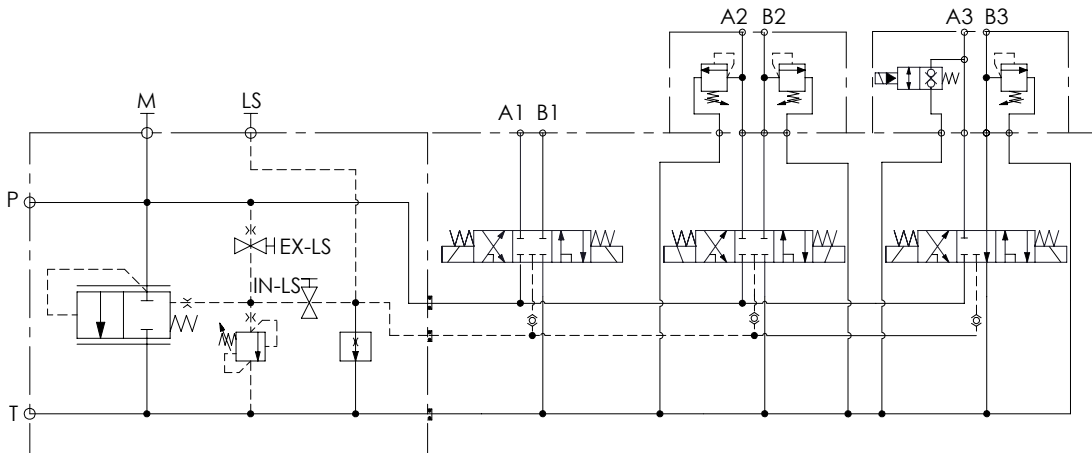


**SPECIFICATIONS**

Max. operating pressure:	210 bar
Rated flow:	40 l/min
Manifold:	Cast-iron
Weight:	10,6 kg

**NOTES**

For more informations see the chapter 19.00.000



**ORDERING CODES**

Quick code	Description	Main ports size:	General relief setting: (bar)	Voltage: (V)	Coil type:
EB000042	EBLE-060-CCLM-MX-G12-BHRN	A,B: G3/8" P,T: G1/2" M: G1/4" LS: G1/8"	200	DIN 43650	24