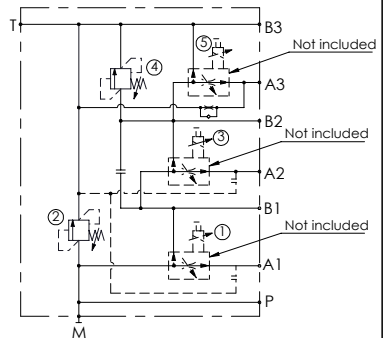
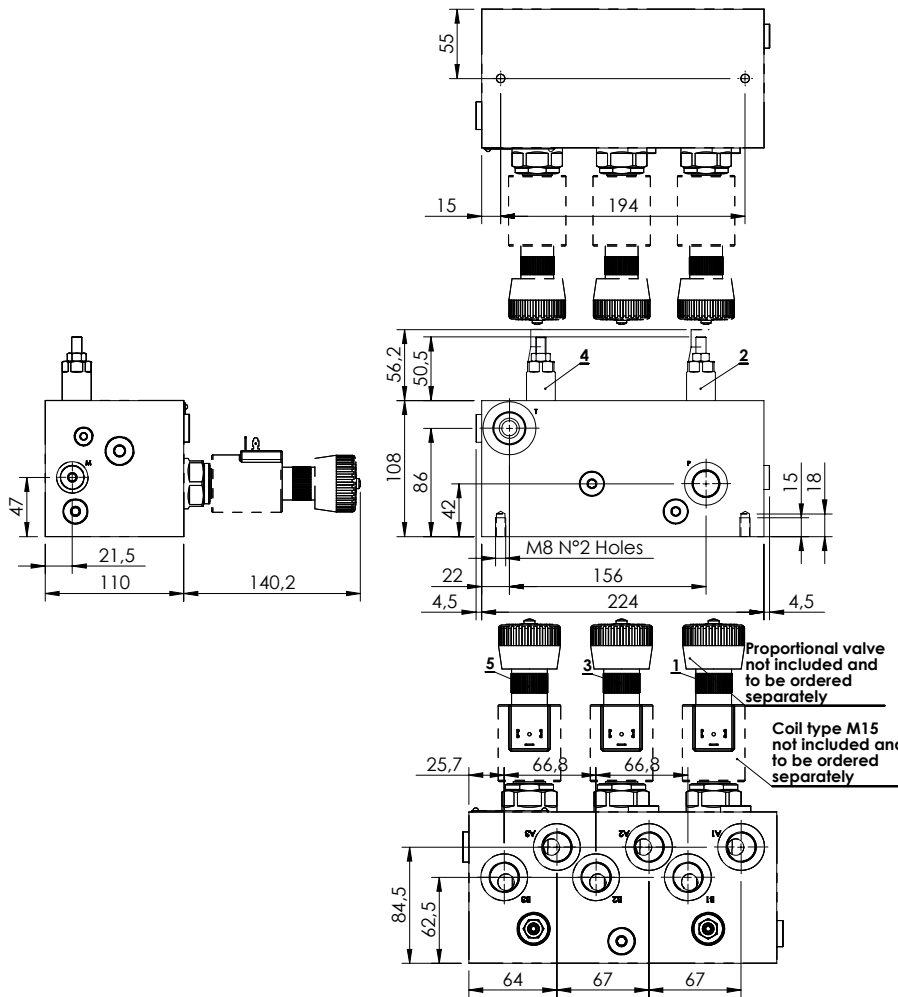
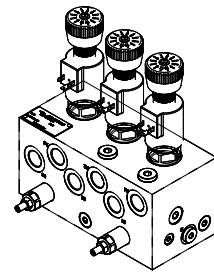


SALT SPRAYER VALVE

BNFN-140-LPNR

PROPORTIONAL VALVE

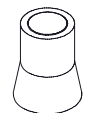


SPECIFICATIONS

Max. operating pressure:	250 bar
Rated flow:	140 l/min
Max regulated flow:	0 - 80 l/min
Manifold:	Aluminium
Weight:	6,4 kg
Coil type:	M15
Cavity type:	SAE-16-3N

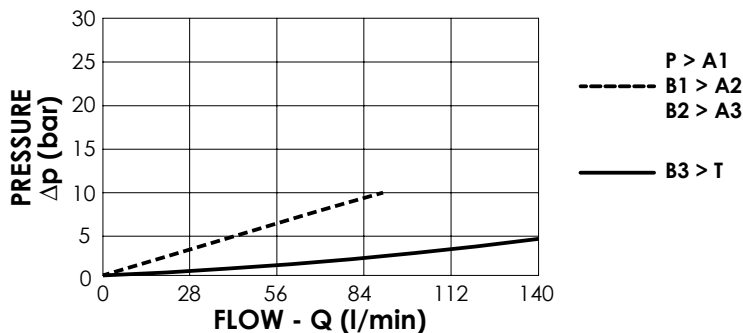
SEALING CAP:

Ordering code:
AT000020



NOTES

-See chapter 18.00.000 for coils.
-See chapter 16.00.000 for proportional valve info.



ORDERING CODES

Quick code	Description	Main ports size	Standard setting (bar, Q=5 l/min)	Adjust. range (bar)	Pressure increase (bar/turn)
BF000019	BNFN-140-LPNR-03-M26-N250	A,B,P: M22x1,5 T: M26x1,5 M: M14x1,5	②:200 ④:100	②:50-210 ④:30-100	②:42 ④:20