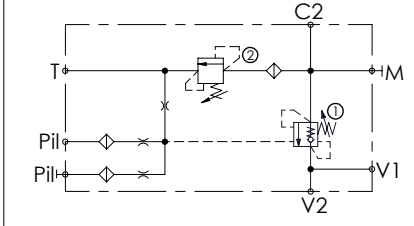
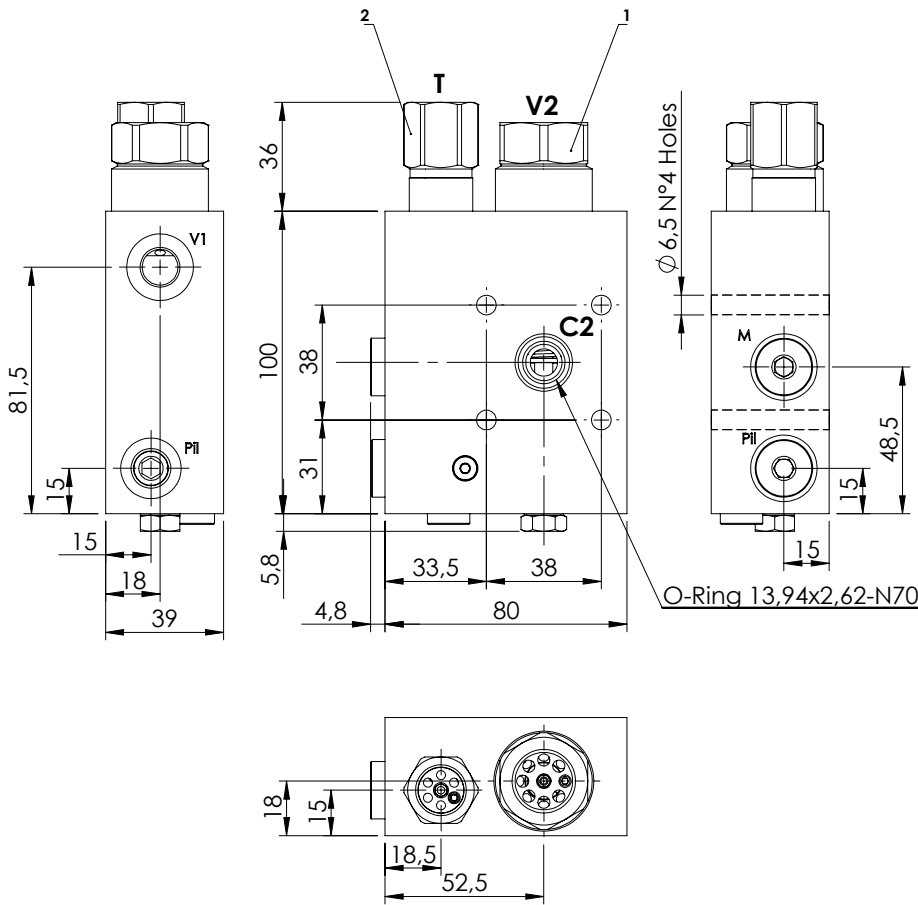
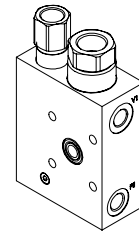


CONCRETE PUMP CRANES

MBSN-060-AAST



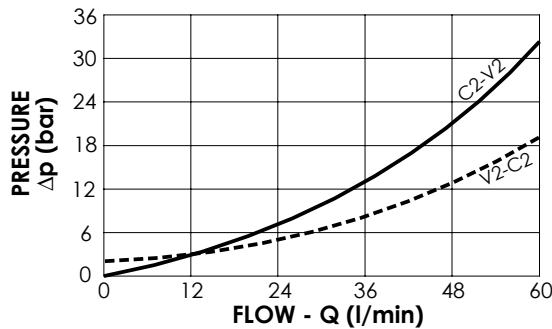
SPECIFICATIONS

Max. operating pressure:	500 bar
Rated flow:	60 l/min
Manifold:	Steel
Weight:	2,42 kg

NOTES

Setting: at least 1.3 times the load induced pressure

Pilot ratio: 7:1
Operated pilot ratio: 3,6:1



ORDERING CODES

Quick code	Description	Main ports size	Standard setting (bar, Q=5 l/min)	Adjust. range (bar)	Pressure increase (bar/turn)
MB000101	MBSN-060-AAST-04-G12-N500	V1,Pil,M:G1/4" T:G3/8" V2:G1/2" C2:Ø9	①:450 ②:450	①:200-450 ②:150-500	①:366 ②:167