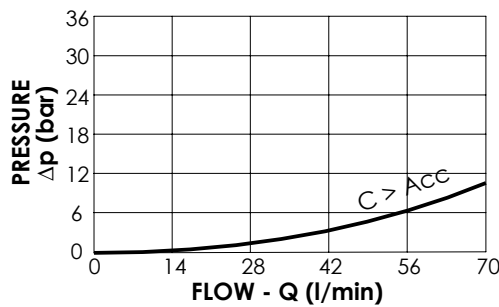
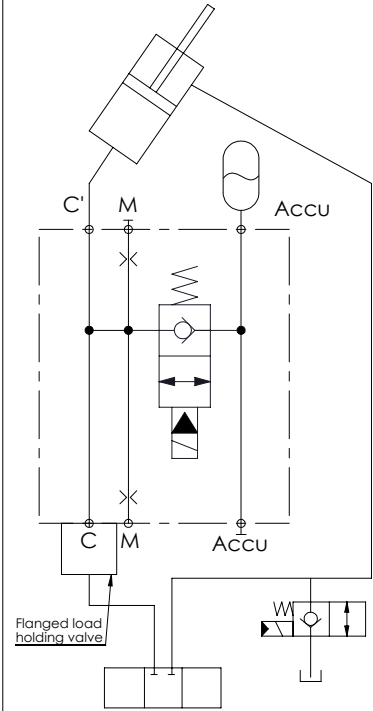
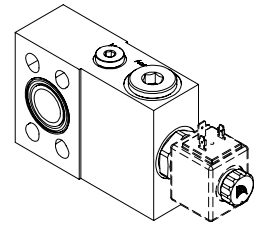
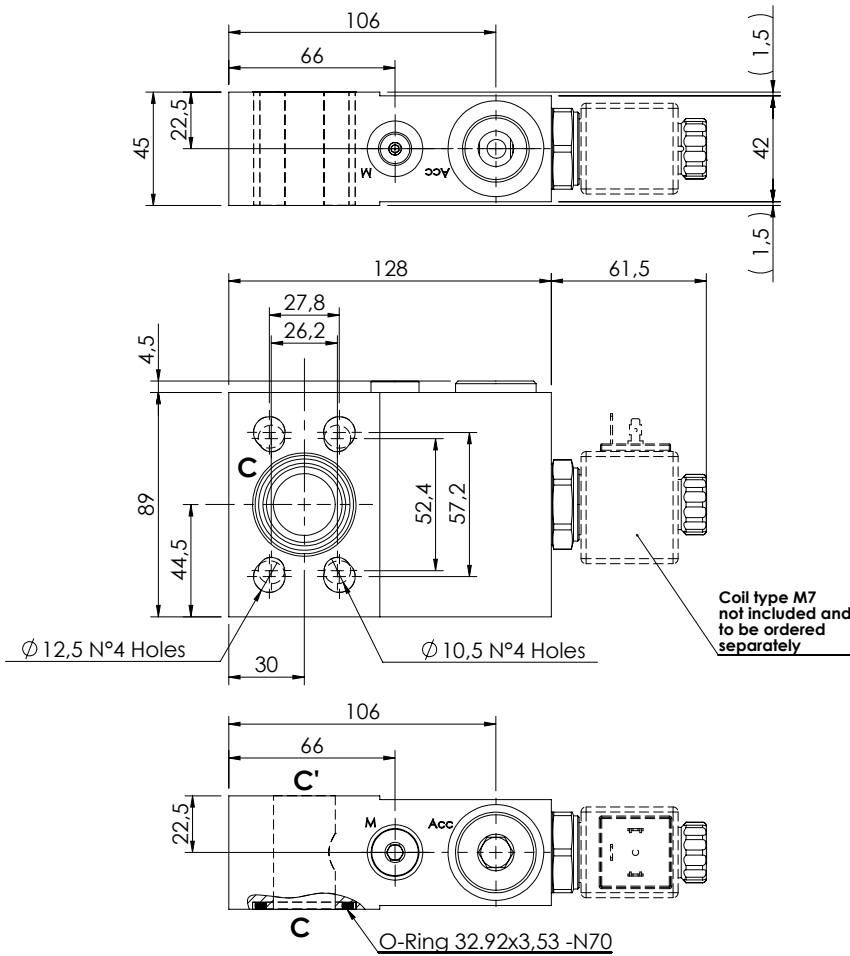


EXCAVATORS VALVE

BNND-070-AERC

SOLENOID ACTIVATED
FLANGED



SPECIFICATIONS

Max. operating pressure:	420 bar
Rated flow:	70 l/min
Manifold:	Steel
Weight:	3,54 kg
Coil type:	M7

ORDERING CODES

Quick code	Description	Main ports size
BD000066	BNND-070-AERC-00-S10-N350	C, C': 1" SAE 3000/6000 Acc: G 3/4" M: G 1/4"