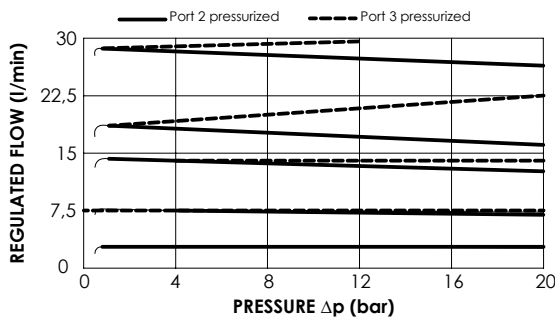
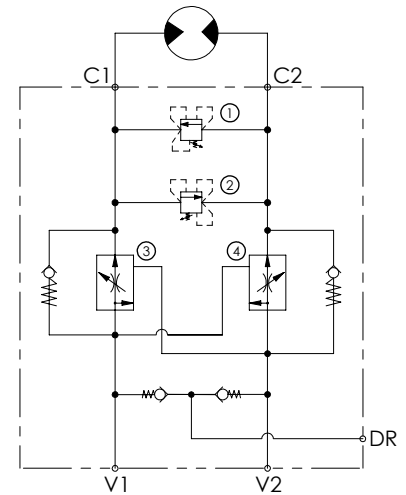
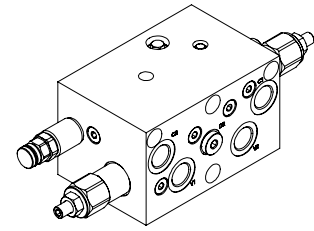
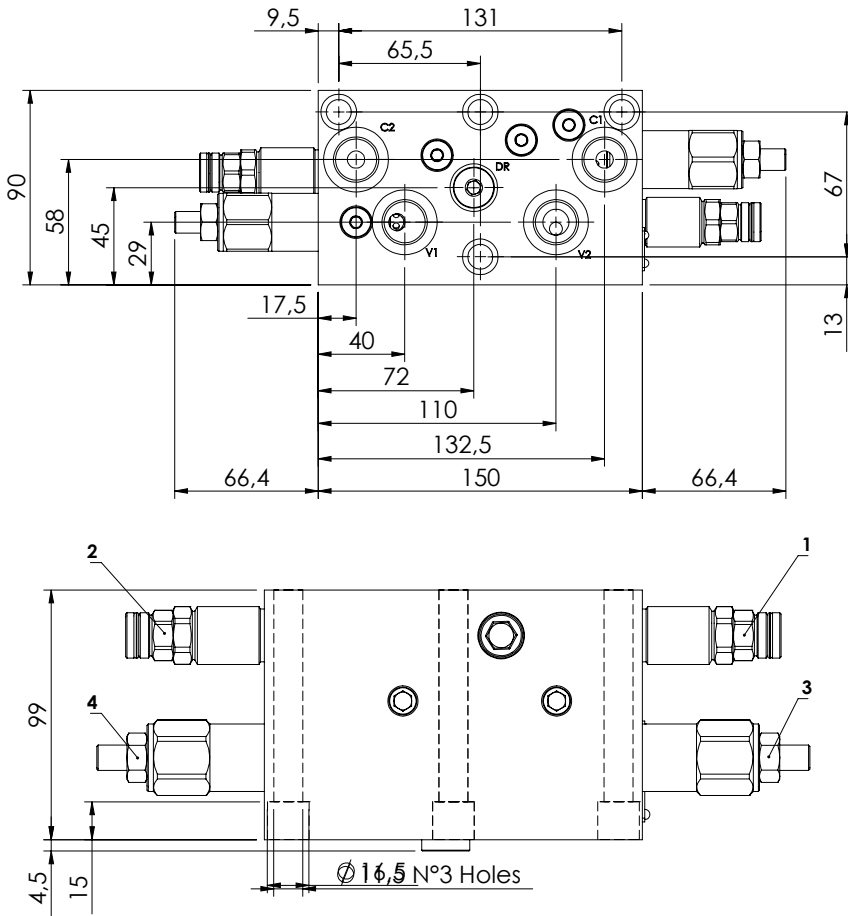


EXCAVATORS VALVE

**BPFD-060-ALSU**

**FLOW REGULATOR WITH RELIEF VALVE**



**SPECIFICATIONS**

Max. operating pressure:	350 bar
Rated flow:	60 l/min
Regulated Flow:	30 l/min
Manifold:	Steel
Weight:	9,79 kg
Coil:	

**ORDERING CODES**

Quick code	Description	Main ports size	Setting range (bar)	Adjustment range (bar)	Pressure increase (bar/turn)
BP000039	BPFD-060-ALSU-FT-G12-N350	V1,V2,C1,C2: G 1/2" DR: G 1/4"	90	30-100	20