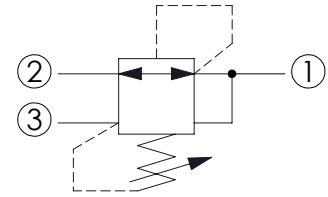
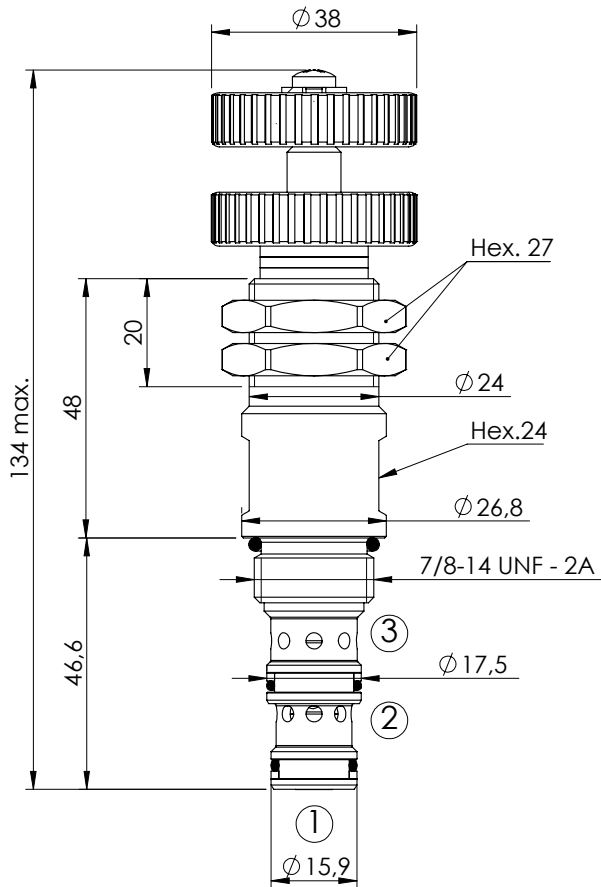


PRESSURE REDUCING AND RELIEVING

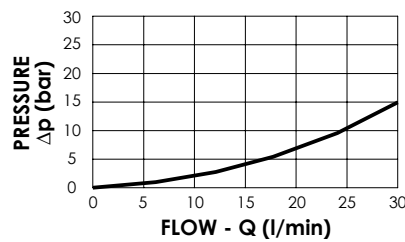
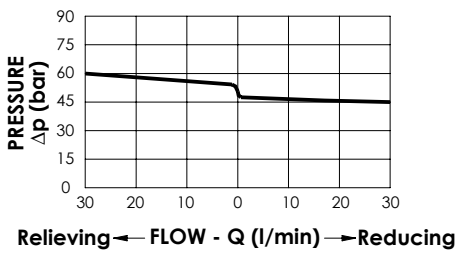
CPRL-030-DNSR

**DIRECT ACTING
SPOOL TYPE
PANEL INSTALLATION**



SPECIFICATIONS

| | |
|--------------------------|-----------------------------|
| Max. operating pressure: | 350 bar |
| Rated flow: | 30 l/min |
| Cavity: | SAE-10-3N |
| Weight: | 0,31 kg |
| Installation torque: | 55 - 62 Nm |
| Leakage: | 50 cm ³ @ 50 bar |
| Seal kit: | RA700092 |



OPTIONS



**Adjustment
with Handknob**

ORDERING CODES

| Quick code | Description | Standard setting (bar) | Adjust. range (bar) | Pressure increase (bar/turn) | Options |
|------------|---------------------------|------------------------|---------------------|------------------------------|--------------------------|
| CR000048 | CPRL-030-DNSR-LN-S10-N045 | 20 | 10 - 45 | 5,3 | Adjustment with Handknob |
| | | | | | |
| | | | | | |
| | | | | | |
| | | | | | |