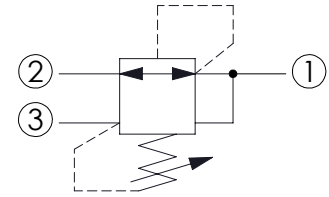
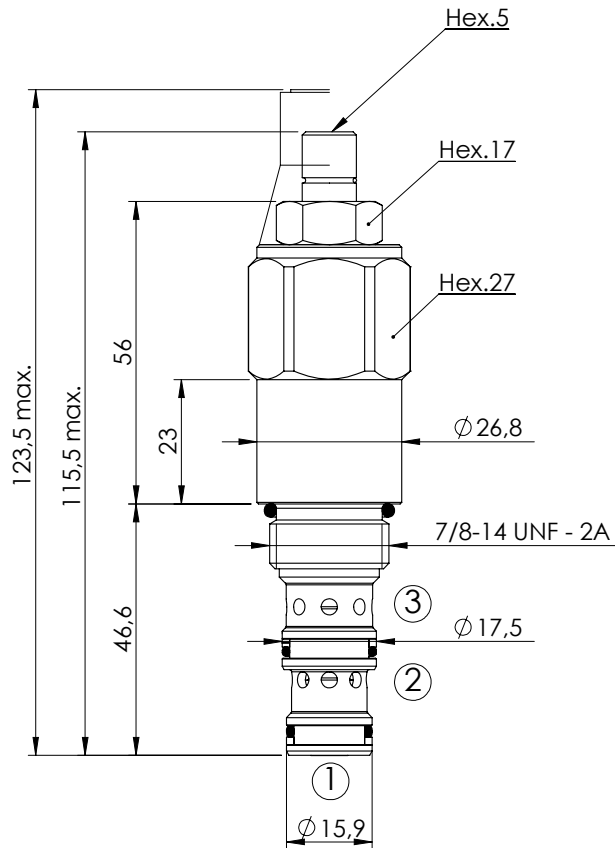
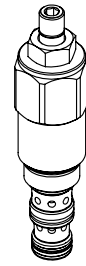


**PRESSURE REDUCING AND RELIEVING**

**CPRL-030-DNSR**

**DIRECT ACTING  
SPOOL TYPE**



**SPECIFICATIONS**

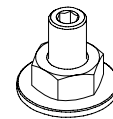
Max. operating pressure:	350 bar
Rated flow:	30 l/min
Cavity:	SAE-10-3N
Weight:	0,29 kg
Installation torque:	55 - 62 Nm
Leakage:	50 cm <sup>3</sup> @ 50 bar
Seal kit:	RA700092

**SEALING CAP**

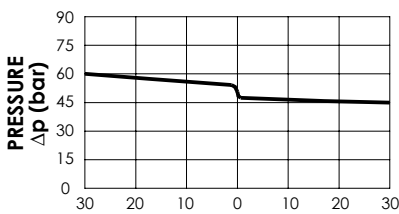
Ordering code:  
AT000021



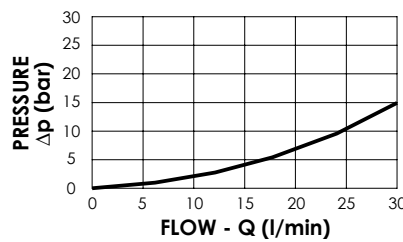
**OPTIONS**



**Adjustment  
with Screw**



Relieving ← FLOW - Q (l/min) → Reducing



**ORDERING CODES**

Quick code	Description	Standard setting (bar)	Adjust. range (bar)	Pressure increase (bar/turn)	Options
CR000038	CPRL-030-DNSR-HN-S10-N080	50	20-75	11	Adjustment with Screw
CR000056	CPRL-030-DNSR-HN-S10-N040	20	10-35	5,3	Adjustment with Screw