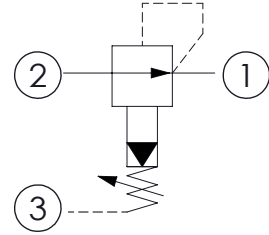
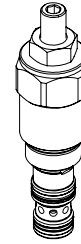
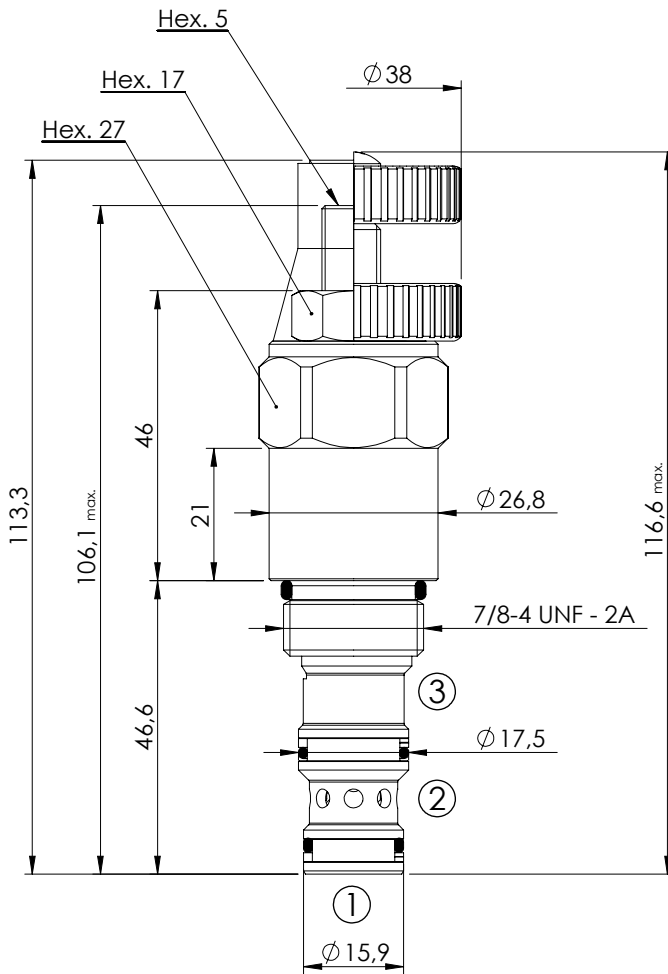


PRESSURE REDUCING

CPRR-060-PNNR

**PILOT OPERATED
SPOOL TYPE**



SPECIFICATIONS

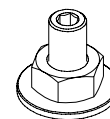
Max. operating pressure:	350 bar
Rated flow:	60 l/min
Cavity:	SAE-10-3N
Weight:	0,26 kg
Installation torque:	55 - 62 Nm
Seal kit:	RA700092

SEALING CAP

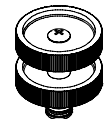
Ordering code:
AT000022



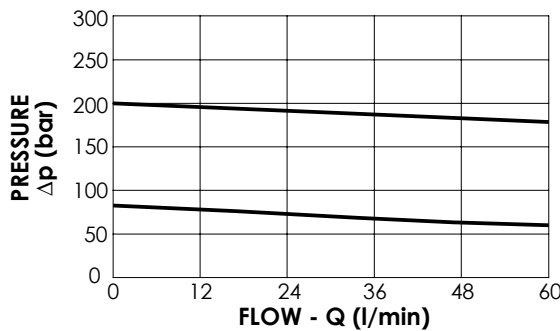
OPTIONS



**Adjustment
with Screw**



**Adjustment
with Handknob**



ORDERING CODES

Quick code	Description	Standard setting (bar)	Adjust. range (bar)	Pressure increase (bar/turn)	Options
CR000022	CPRR-060-PNNR-HN-S10-N300	200	70-350	114	Adjustment with Screw
CR000023	CPRR-060-PNNR-VN-S10-N300	200	70-350	114	Adjustment with Handknob
CR000024	CPRR-060-PNNR-HN-S10-N100	80	20-110	37	Adjustment with Screw
CR000021	CPRR-060-PNNR-VN-S10-N100	80	20-110	37	Adjustment with Handknob