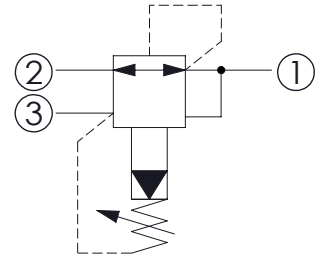
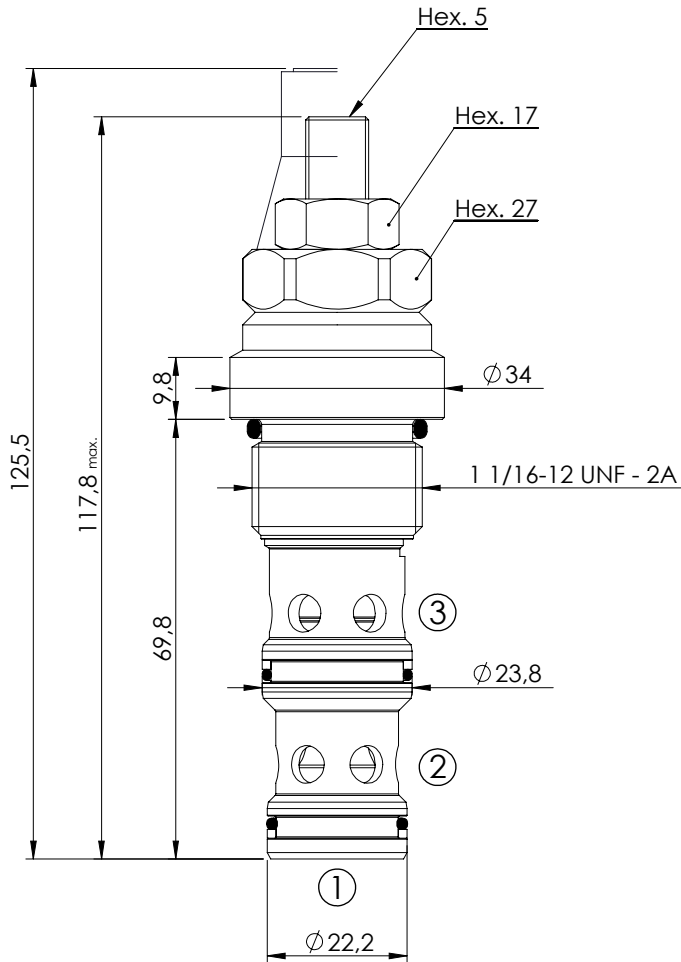


PRESSURE REDUCING AND RELIEVING

CPRL-140-PNNR

**PILOT OPERATED
SPOOL TYPE**



SPECIFICATIONS

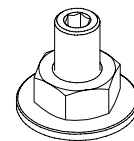
| | |
|--------------------------|------------|
| Max. operating pressure: | 350 bar |
| Rated flow: | 140 l/min |
| Cavity: | SAE-12-3N |
| Weight: | 0,34 kg |
| Installation torque: | 80 - 95 Nm |
| Seal kit: | RA700093 |

SEALING CAP

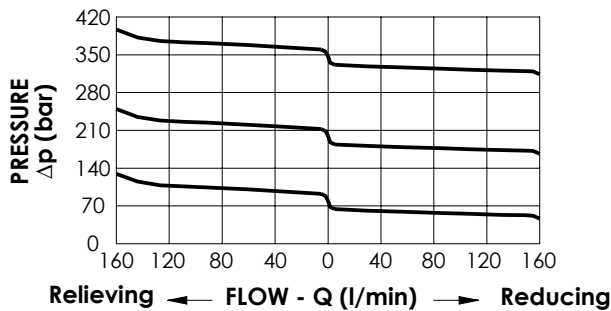
Ordering code:
AT000022



OPTIONS



**Adjustment
with Screw**



ORDERING CODES

| Quick code | Description | Standard setting (bar) | Adjust. range (bar) | Pressure increase (bar/turn) | Options |
|------------|---------------------------|------------------------|---------------------|------------------------------|-----------------------|
| CR000020 | CPRL-140-PNNR-HN-S12-N350 | 300 | 140-350 | 114 | Adjustment with Screw |
| CR000019 | CPRL-140-PNNR-HN-S12-N200 | 200 | 70-250 | 69 | Adjustment with Screw |
| CR000018 | CPRL-140-PNNR-HN-S12-N100 | 100 | 10-140 | 37 | Adjustment with Screw |
| | | | | | |
| | | | | | |
| | | | | | |