

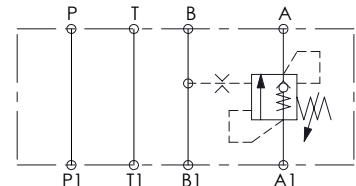
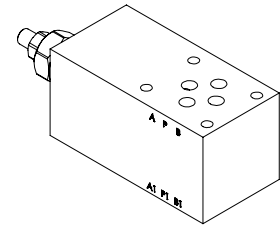
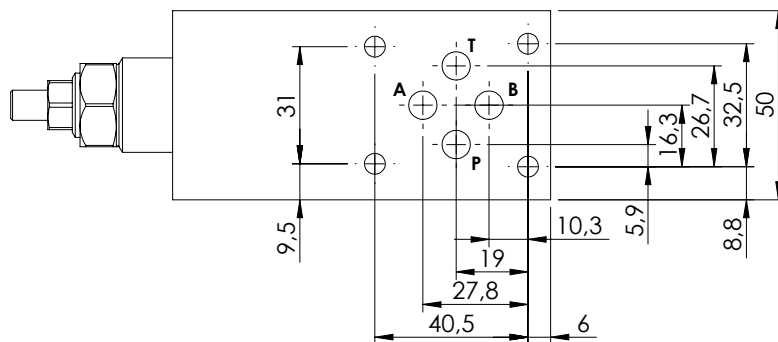
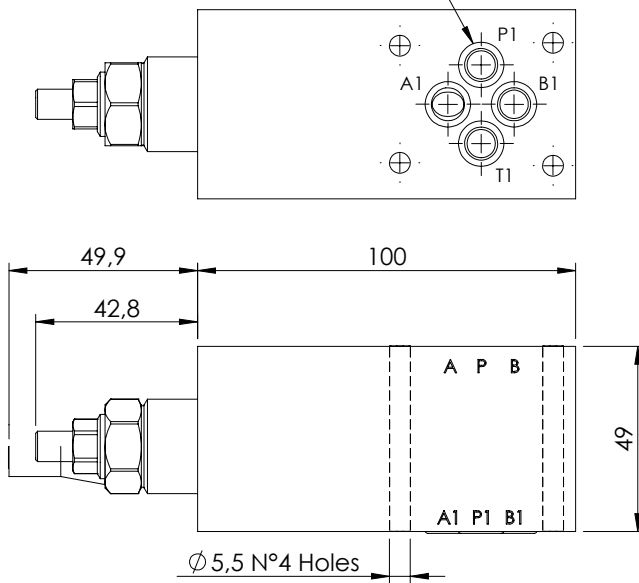
MODULAR VALVE FOR CETOP

MBSN-060-ZTNP

**SINGLE ACTING
CETOP 3**



O-Ring 8,74x1,78 - N90

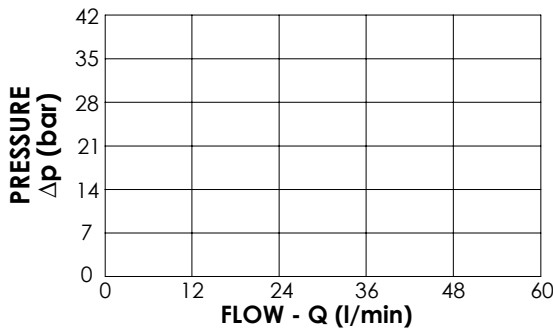
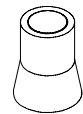


SPECIFICATIONS

Max. operating pressure:	250 bar
Rated flow:	60 l/min
Manifold:	Aluminium
Weight:	724,4 g

SEALING CAP

Ordering code:
AT000020



NOTES

Setting: at least 1.3 times the load induced pressure

ORDERING CODES

Quick code	Description	Pilot ratio	Main ports size	Standard setting (bar, Q=5 l/min)	Adjust. range (bar)	Pressure increase (bar/turn)
MB000923	MBSN-060-ZTNP-01-N06-N250	1:0	A,B,P,T: CETOP 3	25	3-30	5