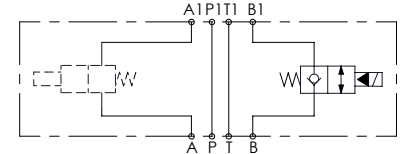
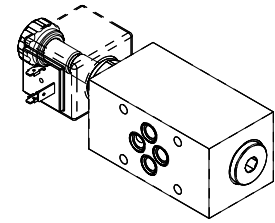
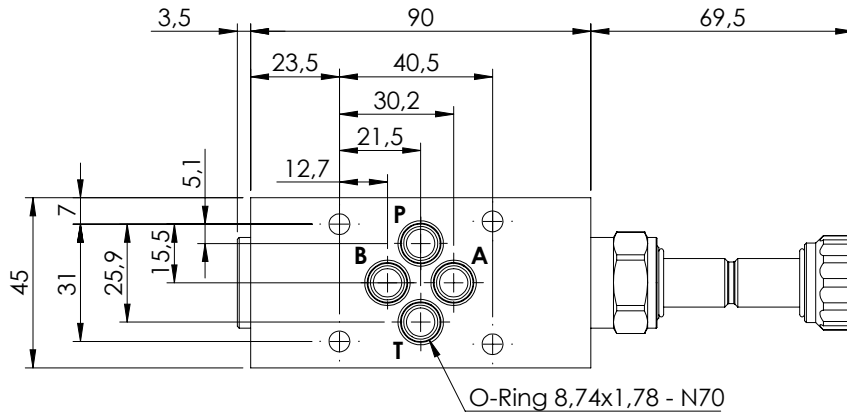


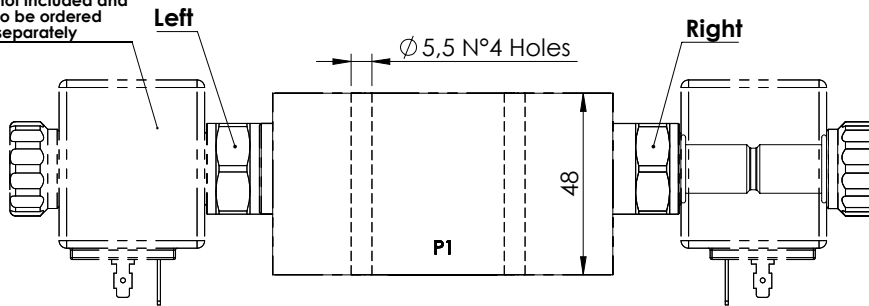
MODULAR VALVE FOR CETOP

BNND-040-LE

CETOP 3

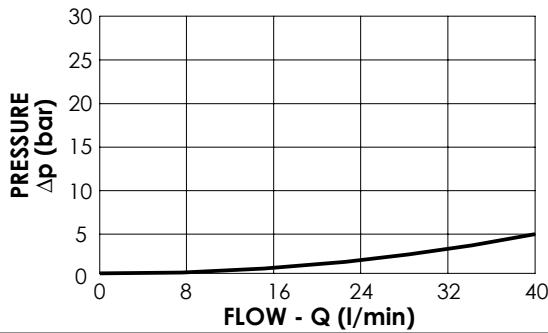


Coil type M7 not included and to be ordered separately



SPECIFICATIONS

Max. operating pressure:	210 bar
Rated flow:	40 l/min
Cavity:	Aluminium
Weight:	0,61 kg
Coil type:	M7



NOTES

ORDERING CODES

Quick code	Description	Main ports size	Version
BD000034	BNND-040-LE-N06-N210-R	A,B,P,T: CETOP 3	Right
BD000119	BNND-040-LE-N06-N210-L	A,B,P,T: CETOP 3	Left