

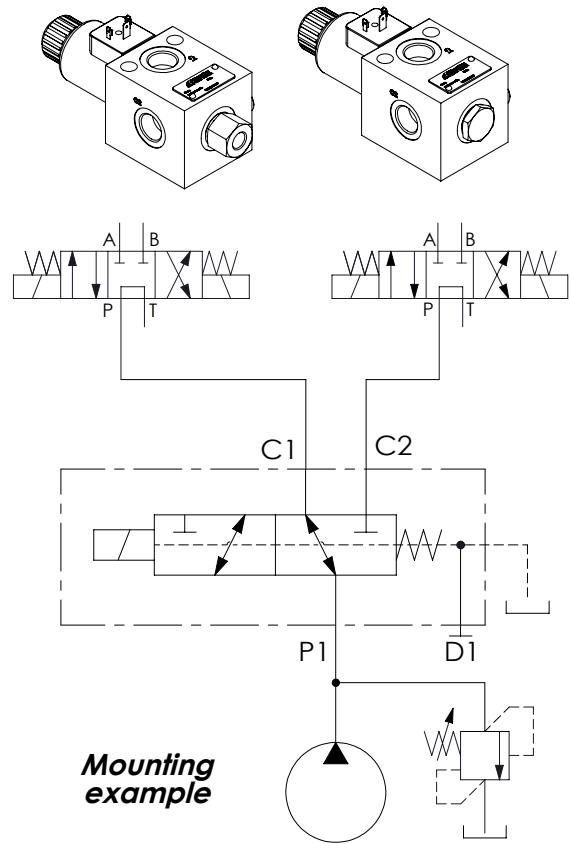
**FLOW DIVERTERS**

**ESCB-090**

**3 WAYS FLOW DIVERTERS**

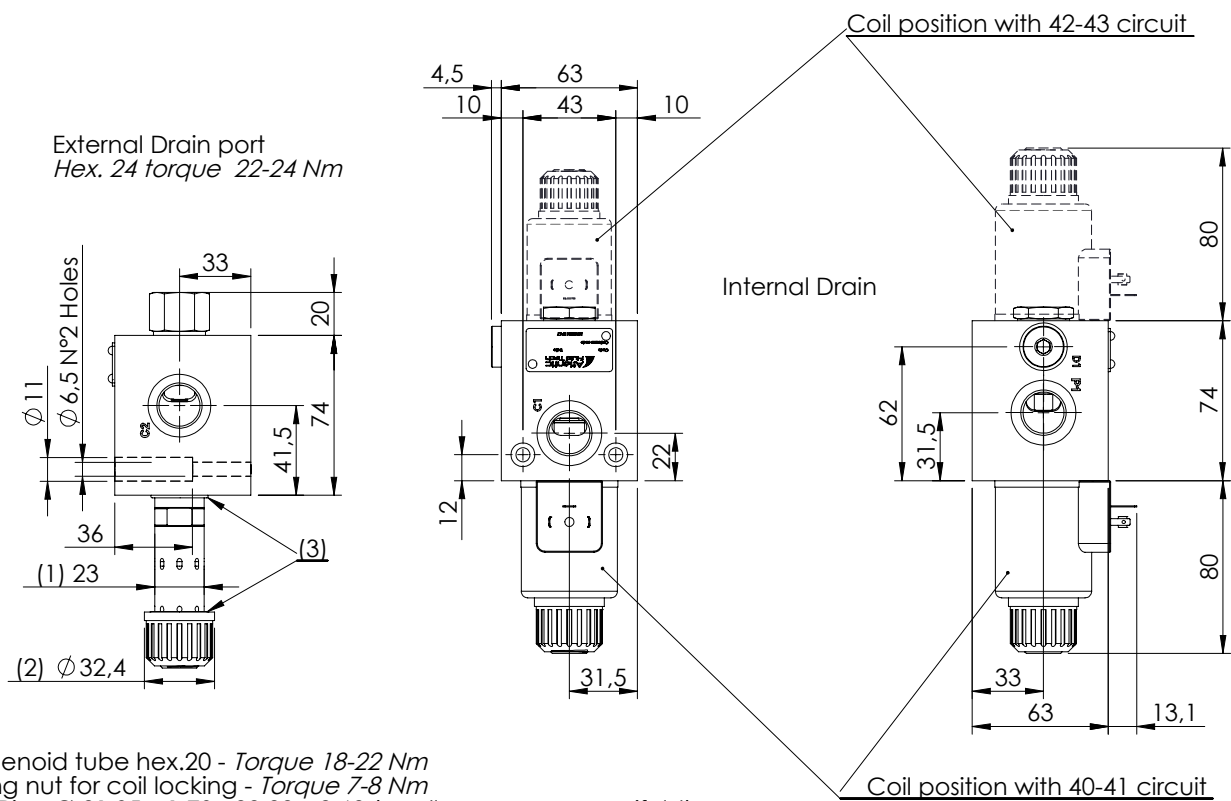


**	Circuit	Transit position
40		
41		
42		
43		



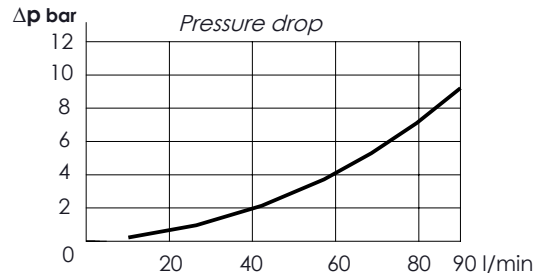
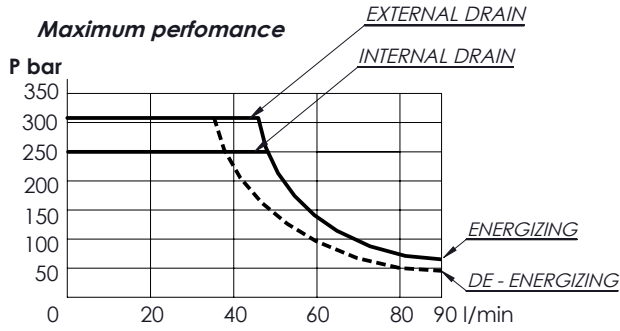
Technical data			
Rated flow	l/min		<b>90</b>
Operating pressure	with internal drain "N"	bar	<b>250</b>
	with external drain "E"	bar	<b>310</b>
Valve weight	Kg		<b>2,4</b>

**OVERALL DIMENSIONS**



# Characteristic curves

Measured with hydraulic fluid ISO-VG46 at 40° ± 5°C



Internal leakage on C ports : MAX 25 cm<sup>3</sup>/min - Mineral oil with 32 cSt viscosity, at 40° C and 100 bar pressure

<b>*</b>	<b>OPERATED</b>	<i>Circuit</i>	<b>*</b>	<b>MANUAL OVERRIDE</b>	<b>*</b>	<b>DRAIN</b>	<i>Circuit</i>															
<b>E</b>	Electric 		<b>S</b>	Standard 	<b>N</b>	Internal 																
<b>N</b>	Hydraulic/pneumatic  (4) Hydraulic or pneumatic pilot connector: hex 30 mm - Torque 20-22 Nm With external drain Pilot Pressure Min. 5 bar With internal drain Pilot Pressure is 1/10 of the working pressure		<b>P</b>	Push-button 	<b>E</b>	External 																
			<b>V</b>	Screw 	<table border="1"> <tr> <th colspan="3">PORTS</th> </tr> <tr> <td>***</td> <td>Main (C)</td> <td>Drain (D)</td> </tr> <tr> <td><b>G12</b></td> <td>1/2" Gas</td> <td>1/4" Gas</td> </tr> <tr> <td></td> <td></td> <td></td> </tr> <tr> <td colspan="3">Other port sizes available</td> </tr> </table>			PORTS			***	Main (C)	Drain (D)	<b>G12</b>	1/2" Gas	1/4" Gas				Other port sizes available		
PORTS																						
***	Main (C)	Drain (D)																				
<b>G12</b>	1/2" Gas	1/4" Gas																				
Other port sizes available																						
			<b>N</b>	Without manual override	<p><b>N</b> - Seals in NBR <b>V</b> - Seals in VITON</p>																	

**ESCB - 090 - \* \* E \* - \*\* - \*\*\* - \* \*\* \***

<b>*</b>	Voltage (V)	Resistance (Ω) ± 7%	Power (W)	Current (A)
-	Without coil			
<b>A</b>	12 DC	3,27	44	3,67
<b>B</b>	24 DC	13,09	44	1,83
Other voltages available on request				

<b>*</b>	COIL	Type	Protection class
-	Without coil		
<b>HR</b>	DIN 43650 - ISO 4400 Class H	M11	IP65
<b>AJ</b>	AMP JUNIOR Class H	M11	IP65
<b>DT</b>	DEUTSCH DT04-2P-L Class H	M11	IP69