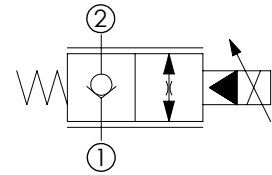
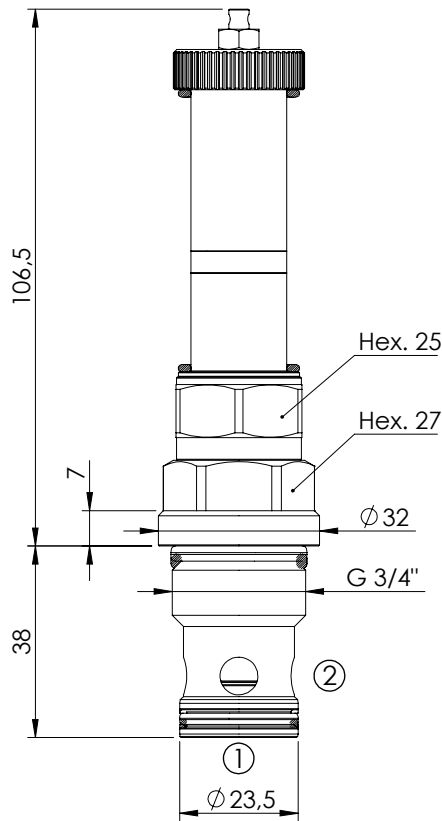


PROPORTIONAL CARTRIDGE

CEBP-070-NCPN

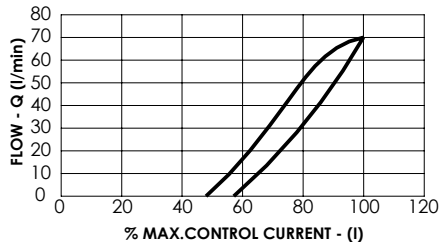
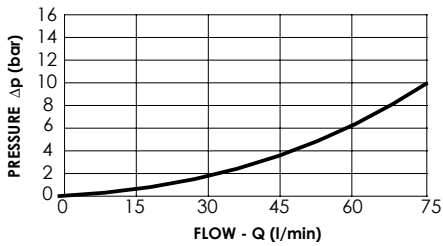
PROPORTIONAL VALVE
NON COMPENSATED
NORMALLY CLOSED



SPECIFICATIONS

Max. operating pressure:	350 bar
Rated flow:	70 l/min
Cavity:	VP000057
Weight:	0,26 kg
Coil type:	M15
Installation torque:	110 - 130 Nm
PWM range recommended:	150-180 Hz
Seal kit:	RD900057

NOTES



ORDERING CODES

Quick code	Description	Setting range (bar)	Threshold current (with 12VDC coil)	Max control current (with 12V DC coil)	Override
CE001026	CEBP-070-NCPN-112-057-N350	20	800 mA (+/-7%)	1800 mA (+/-7%)	Screw style