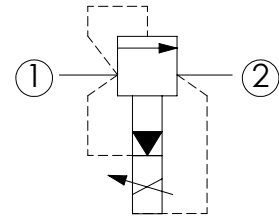
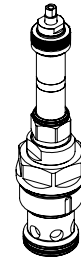
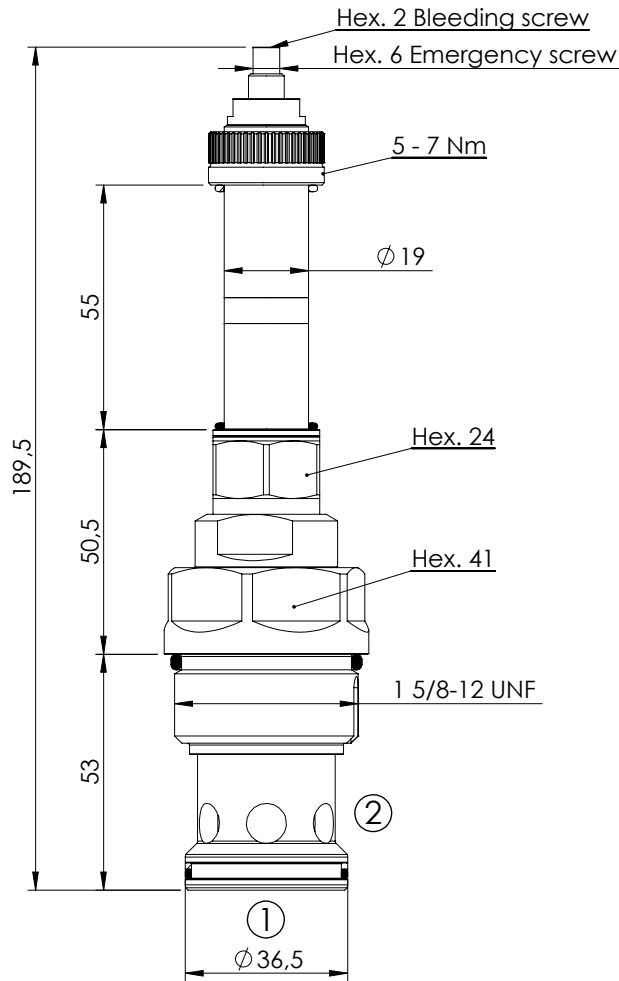


SOLENOID OPERATED CARTRIDGE

CEBT-500-PLPS

**PROPORTIONAL VALVES
PILOTED RELIEF
SPOOL TYPE**

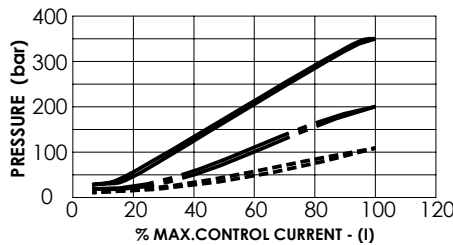
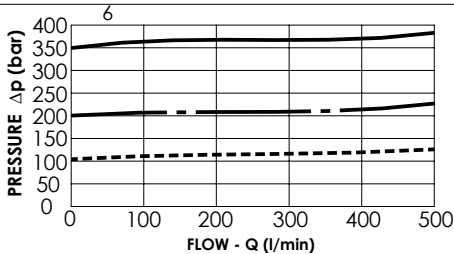


SPECIFICATIONS

Max. operating pressure:	350 bar
Rated flow:	500 l/min
Cavity:	SAE-20-2N
Weight:	0,7 kg
Coil type:	M5 type
Max. int. leakage:	200 cm ³ /min (@46 cst)
Installation torque:	230 - 250 Nm
PWM range recommended:	150-180 Hz
Seal kit:	RA100085

NOTES

Bleed air before use



CE000770 1>2 ———
 CE000771 1>2 - - - -
 CE000772 1>2 ·····

ORDERING CODES

Quick code	Description	Setting range (bar)	Threshold current (with 12VDC coil)	Max control current (with 12V DC coil)	Override
CE000770	CEBT-500-PLPS-91-S20-V350	30-350	200 mA (+/-7%)	1600 mA (+/-7%)	Screw style
CE000771	CEBT-500-PLPS-91-S20-V200	20-220	200 mA (+/-7%)	1700 mA (+/-7%)	Screw style
CE000772	CEBT-500-PLPS-91-S20-V100	15-90	200 mA (+/-7%)	1700 mA (+/-7%)	Screw style