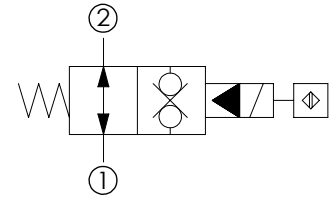
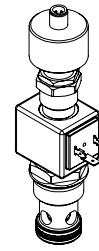
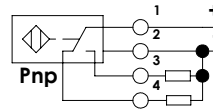
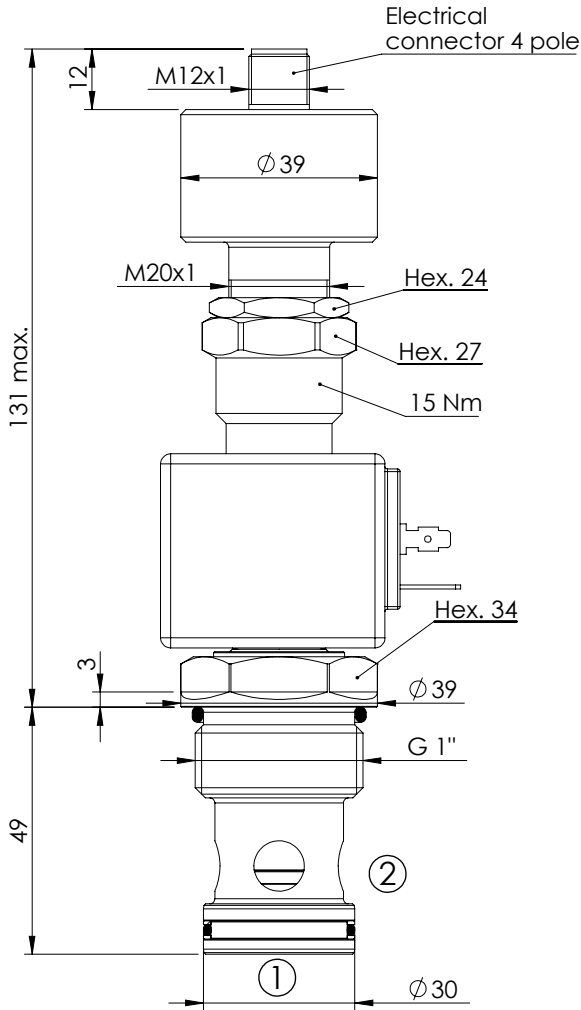


SOLENOID OPERATED CARTRIDGE

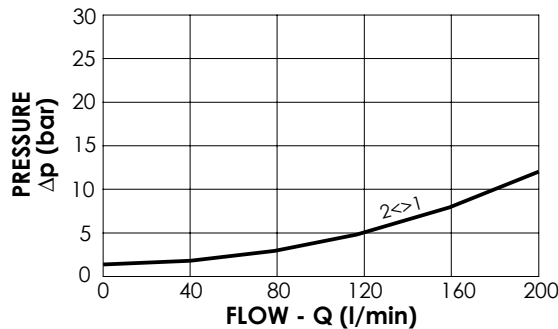
CEBN-200-NAFN

**POPPET TYPE
PROXIMITY SENSOR**



SPECIFICATIONS

Max. operating pressure:	350 bar
Rated flow:	200 l/min
Cavity:	VP000013
Weight:	0,71 kg
Coil type:	M7 type
Operating temperature:	-25/+80°C



NOTES

Installation torque:	135 - 150 Nm
Seal kit:	RD100013

ORDERING CODES

Quick code	Description	Connector	Voltage	Options
CE001110	CEBN-200-NAFN-121-013-V350-12HR	DIN 43650	12V DC	Proximity sensor
CE001111	CEBN-200-NAFN-121-013-V350-24HR	DIN 43650	24V DC	Proximity sensor